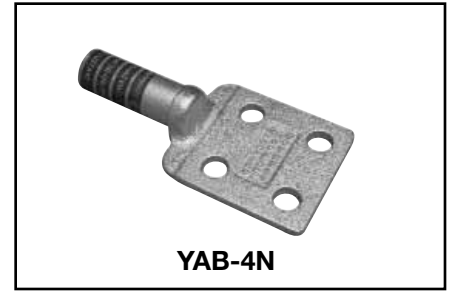
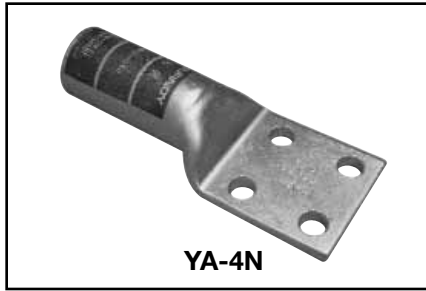


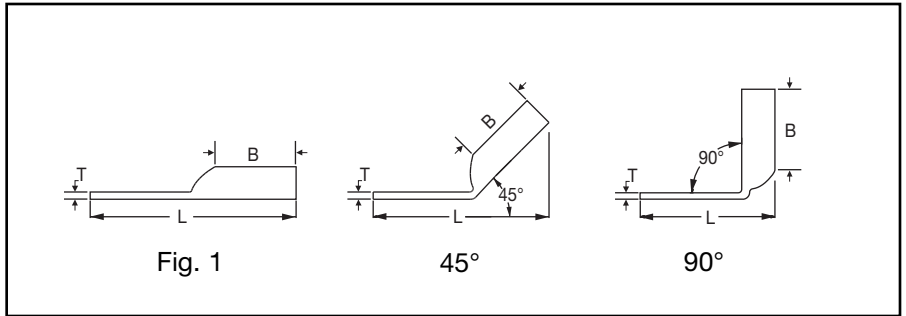
**FOUR HOLE
HYLUG™
CODE CONDUCTOR**

TYPE YA

45° and 90° angles are available.
Please contact Customer Service to order:
1-800-346-4175



C-43



Catalog Number	Fig.#	Conductor		Stud Hole Size	Stud Hole Spacing	Tongue Width	Tongue Angle	Installation Tooling						Wire Strip Length
		AWG	*** MM ²					B	T	L	Hydraulic (Y35, Y39, Y750, Y46*)			
											**	Color Code	Die Index	
YA444N	1	1000 kcmil	500	1/2"	1.75"	3"	Straight	3.00"	.23"	7.14"	P44RT	White	27	3-1/16"
YA454N	1	1250 kcmil	—	1/2"	1.75"	3"	Straight	3.19"	.30"	7.44"	P45RT	Yellow	29	3-1/4"
YA464N	1	1500 kcmil	—	1/2"	1.75"	3"	Straight	3.19"	.34"	7.55"	P46RT	Green	31	3-1/4"
YA47N	1	1750 kcmil	—	1/2"	1.75"	3.10"	Straight	3.44"	.39"	7.89"	†L47RT	Gray	33	3-1/2"
YA484N	1	2000 kcmil	—	1/2"	1.75"	3.06"	Straight	3.44"	.46"	7.98"	†L48RT	Brown	34	3-1/2"
YA4864N	1	2500 kcmil	—	1/2"	1.75"	3.46"	Straight	4.69"	.52"	9.38"	†L486RT	—	—	4-3/4"
YAB344N	1	500 kcmil	—	1/2"	1.75"	3.00"	Straight	2.25"	.25"	6.33"	U36RT	Green	22	2-1/2"
YAB394N	1	750 kcmil	—	1/2"	1.75"	3.00"	Straight	2.88"	.25"	7.15"	U39RT	Black	24	2-15/16"

Available undrilled. Add suffix U to catalog number (example YA444NU).

* Use PUADP-1 adaptor with U dies in Y46 HYPRESS™.

** P dies for use with Y46 HYPRESS™ only. PUADP-1 adaptor not required.

*** The MM² conductor sizes listed are for Class 2 conductor. For applications greater than 2000 Volts, consult cable manufacturer for voltage stress relief instructions.

‡ Requires Y60BHU HYPRESS™

Note: All dimensions shown are for reference only.