



LED ROUND HIGH BAY POWER SELECTABLE



REPLACEMENT FOR MULTI-LAMP FLUORESCENT OR HID HIGH BAY LUMINARIES



- **COMMERCIAL, INDUSTRIAL**
- **MANUFACTURING FACILITIES**
- **BIG BOX RETAIL**
- **WAREHOUSES**
- **GYMNASIUMS**



**BUILT FOR DURABILITY.
BUILT FOR RELIABILITY.
BUILT FOR WORK.™**

Halco Lighting Technologies 2940 Pacific Drive | Norcross, GA 30071 | Toll Free 800.677.3334 | Phone 770.242.3612
 Fax 800.880.0822 | halcolighting.com | Atlanta | Cleveland | Houston | Phoenix | New Jersey © 2026 Halco Lighting Technologies, LLC. All rights reserved. Halco and ProLED are registered trademarks of Halco Lighting Technologies. All sizes and specifications are subject to change without notice.



LED ROUND HIGH BAY POWER SELECTABLE



CONSTRUCTION

- Die-cast aluminum construction with black powder coat finish
- IK10 impact rated lens
- 110° beam angle

ELECTRICAL

- Standard 0-10V dimming
- Power factor ≥ 0.9 , THD% $\leq 20\%$
- 6kV surge protection rating

INSTALLATION

- J-hook mount ready, surface mount, pendant mount accessories sold separately
- 6' Power and dimming cord with leads, 1.7' safety cable, j-hook included

EMERGENCY BATTERY BACKUP

- Field install, 120-277V universal input emergency driver accessory available

CONTROLS

- Low voltage sensor receptacle for sensor install
- Plug and play low voltage PIR sensor and remote control accessory available
- Low voltage PIR sensor with Bluetooth® connectivity available

COMPLIANCE

- cULus listed for wet location
- FCC part 15
- -40°F to 122°F ambient operating temperatures
- 5-year limited warranty
- ETL Sanitation listed, NSF Compliant (NSF2) for installation in food processing facilities (Non Food Zone)

ORDERING GUIDE

Example: **HBC-40L-50K-PS**

PRODUCT	LUMEN PACKAGE	CCT	OPTIONS
HBC = HIGH BAY CIRCULAR	POWER SELECTABLE MODELS 24L = 15,675/20,625/24,000L 30L = 19,375/23,250/30,000L 40L = 29,750/34,000/40,080L	50K = 5000K	PS = POWER SELECT

**BUILT FOR DURABILITY.
BUILT FOR RELIABILITY.
BUILT FOR WORK.™**



LED ROUND HIGH BAY POWER SELECTABLE

**MAX. AMBIENT
OPERATING TEMP.**
**L70 LUMEN
MAINTENANCE**

77°F

>100,000 HOURS

122°F

50,000 HOURS

ITEM SPECIFICATIONS | ORDER INFO

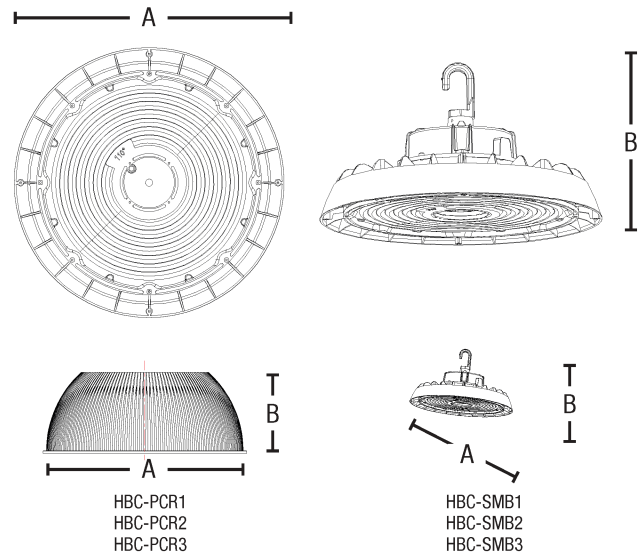
MODEL #	ORDER CODE	UPC	INPUT VOLTAGE MAX. INPUT CURRENT	POWER SELECTABLE WATTAGE	LUMENS	EFFICACY (LM/W)	CCT	HID REPLACEMENT	FLUORESCENT REPLACEMENT	TYPICAL MOUNTING HEIGHT
HBC-24L-50K-PS	77106	032886309038	20-277V 1.375/0.60A	95W	15,675	165	5000K	200W	6-LAMP 32W T8 NBF	15 TO 25 FT
				125W	20,625	165		400W	6-LAMP 32W T8 NBF	
				150W*	24,000	160		450W	6-LAMP 54W T5HO	
HBC-30L-50K-PS	77107	032886309045	120-277V 1.83/0.79A	125W	19,375	155	5000K	400W	6-LAMP 32W T8 NBF	20 TO 35 FT
				150W	23,250	155		450W	6-LAMP 54W T5HO	
				200W*	30,000	150		575W	10 LAMP T8 HBF	
HBC-40L-50K-PS	77108	032886309052	120-277V 2.20/0.95A	175W	29,750	170	5000K	575W	10 LAMP T8 HBF	30 TO 45 FT
				200W	34,000	170		700W	8-LAMP 54W T5HO	
				240W*	40,080	167		800W	10-LAMP 54W T5HO	

*default setting

DIMENSIONS | WEIGHT

MODEL #	A (IN)	B (IN)	WEIGHT (LBS)	PALLET QUANTITY (PCS)* 48" X 40" X 60"
HBC-24L-50K-PS	10.4	7.1	3.9	80
HBC-30L-50K-PS	11.8	7.2	4.6	51
HBC-40L-50K-PS	12.8	7.3	5.4	51
HBC-PCR1	16.1	16.1	1.2	90
HBC-PCR2	16.1	16.1	1.3	90
HBC-PCR3	18.9	18.9	1.9	50
HBC-SMB1	7.44	6.5	1.2	1,250
HBC-SMB2	8.26	7.32	1.6	1,040
HBC-SMB3	9.76	8.48	2.1	860

* Pallet quantities may vary



NOTES

Dimming with standard 0-10V control system or wall dimmers. Dimming complies with IEC60929 Annex E. Fixture may not be compatible with all dimmers. Dimming performance may vary based on selected dimmer.

**BUILT FOR DURABILITY.
BUILT FOR RELIABILITY.
BUILT FOR WORK.™**

Halco Lighting Technologies 2940 Pacific Drive | Norcross, GA 30071 | Toll Free 800.677.3334 | Phone 770.242.3612
Fax 800.880.0822 | halcolighting.com | Atlanta | Cleveland | Houston | Phoenix | New Jersey © 2026 Halco Lighting
Technologies, LLC. All rights reserved. Halco and ProLED are registered trademarks of Halco Lighting Technologies.
All sizes and specifications are subject to change without notice.



LED ROUND HIGH BAY POWER SELECTABLE

ACCESSORIES (SOLD SEPARATELY)

MODEL #	ORDER CODE	DESCRIPTION
HBC-PCR1	77111	CLEAR REFLECTOR FOR 150W ROUND HIGH BAY
HBC-PCR2	77112	CLEAR REFLECTOR FOR 200W ROUND HIGH BAY
HBC-PCR3	77113	CLEAR REFLECTOR FOR 240W ROUND HIGH BAY
HBC-SMB1	77114	SURFACE MOUNT BRACKET FOR 150W ROUND HIGH BAY
HBC-SMB2	77115	SURFACE MOUNT BRACKET FOR 200W ROUND HIGH BAY
HBC-SMB3	77116	SURFACE MOUNT BRACKET FOR 240W ROUND HIGH BAY
HBC-JBOX-PM-BL	73609	J-BOX FOR 3/4" NPT PIPE OR PENDANT MOUNT
OS-PIR-12V	75851	OCCUPANCY SENSOR, PIR, 12V, EASY PLUG-IN INSTALLATION
OS-PIR-BT-12V	75852	BLUETOOTH® 12V OCCUPANCY SENSOR, PIR, EASY PLUG IN INSTALLATION
F-LUHB/RC/G3	72725	REMOTE CONTROL FOR 12V OCCUPANCY SENSORS (ORDER ONE PER PROJECT)
F-LUHB/EMKIT	72728	EMERGENCY BATTERY BACKUP KIT40W 120-277V, INCLUDES REMOTE PUSH TO TEST



HBC-PCR1
HBC-PCR2
HBC-PCR3



HBC-SMB1
HBC-SMB2
HBC-SMB3



HBC-JBOX-PM-BL



OS-PIR-12V
OS-PIR-BT-12V



F-LUHB/RC/G3



F-LUHB/EMKIT

ACCESSORY COMPATIBILITY

FIXTURE MODEL #	WATTAGE	REFLECTOR	SURFACE MOUNT BRACKET
HBC-24L-50K-PS	95W	HBC-PCR1	HBC-SMB1
	125W		
HBC-30L-50K-PS	150W	HBC-PCR2	HBC-SMB2
	200W		
	175W		
HBC-40L-50K-PS	200W	HBC-PCR3	HBC-SMB3
	240W		

DLC INFORMATION

MODEL #	DLC I.D.	DLC CLASSIFICATION	DLC PRIMARY USE
HBC-24L-50K-PS	S-AVC5YD	PREMIUM	HIGH-BAY LUMINAIRES FOR COMMERCIAL AND INDUSTRIAL BUILDINGS
HBC-30L-50K-PS	S-TGR4C1		
HBC-40L-50K-PS	S-FOZ6HX		

MOTION SENSOR PRE-PROGRAMMED SETTINGS

MODEL #	SENSITIVITY	HOLD TIME	DAYLIGHT THRESHOLD	STANDBY DIMMING LEVEL	STANDBY DIMMING PERIOD
OS-PIR-12V	100%	5 MIN	DISABLE	30%	60 MIN

**BUILT FOR DURABILITY.
BUILT FOR RELIABILITY.
BUILT FOR WORK.™**

Halco Lighting Technologies 2940 Pacific Drive | Norcross, GA 30071 | Toll Free 800.677.3334 | Phone 770.242.3612
Fax 800.880.0822 | halcolighting.com | Atlanta | Cleveland | Houston | Phoenix | New Jersey © 2026 Halco Lighting Technologies, LLC. All rights reserved. Halco and ProLED are registered trademarks of Halco Lighting Technologies. All sizes and specifications are subject to change without notice.