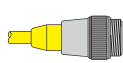
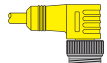
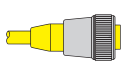
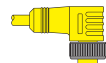
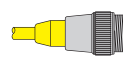





TURCK 5-Pin Power, Cordset Selection Matrix

		<i>minifast</i> [®]				
		Pin (Male)		Socket (Female)		
		1  RSM	2  WSM	3  RKM	4  WKM	
Bare		RSM 50-*M	WSM 50-*M	RKM 50-*M	WKM 50-*M	
<i>minifast</i>	Pin (Male)	1  RSM	RSM RSM 50-*M	RSM WSM 50-*M	RSM RKM 50-*M	RSM WKM 50-*M
	2  WSM		WSM WSM 50-*M	WSM RKM 50-*M	WSM WKM 50-*M	
	3  RKM			RKM RKM 50-*M	RKM WKM 50-*M	
	4  WKM				WKM WKM 50-*M	

See pages S51 for dimensional drawings.

* Indicates length in meters.

Refer to the Cordset Builder at www.turck.com for assistance with cordset/cable combinations.

Standard cable lengths are 0.3, 0.5, 1.0, 2.0, 2.5, 3.0, 3.5, 4.0, 5.0, 6.0, 8.0, 10, 15....50 meters. Consult factory for other lengths.

For stainless steel coupling nuts change part number RSM ... to RSV, WSM ... to WSV.

Pinouts

<i>minifast</i>		
Female		Male
	<ol style="list-style-type: none"> 1. Black 2. Blue 3. Green/Yellow 4. Brown 5. White 	

TURCK 5-Pin Power Cordsets, Cable Specifications

- NEMA 1, 3, 4, 6P and IEC IP 67 Protection
- 300 V, 9 A



Type	Approvals	Data Pair		Outer Jacket	Shields	Bulk Cable Part Number / Weight/300 M
		AWG Color Code	DCR (/1000 feet) Insulation	Material Color Nominal O.D.	Type Drain Wire	
50 AWM 2517 105°C 300 Volts	NEC AWM CEC AWM FT1	5/18 AWG BK, BU, GN/YE, BN, WH	6.9 Ohms PVC	PVC Yellow 7.2 mm (.285 in)	None	RB50549-*M 60 lbs.

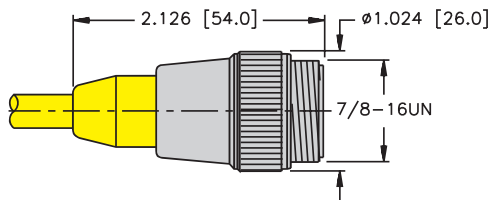
* Indicates length in meters.
 Standard cable lengths are 30, 100 and 200 meters. Consult factory for other lengths.

TURCK 5-Pin Power, Cordset Connector Dimensions

Specifications

Housing:	PUR (Polyurethane)
Coupling Nut:	Nickel Plated CuZn or Stainless Steel
Contact Carrier:	PUR (Polyurethane)
Contacts:	Gold Plated CuZn
Protection:	NEMA 1, 3, 4, 6P and IEC IP 67
Rated Voltage:	300 V
Rated Current:	9 A
Ambient Temperature:	-40° to +105°C (-40° to +221°F)

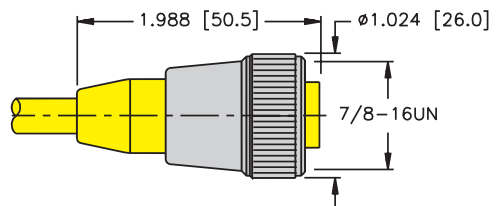
1



RSM ..

Pages S50

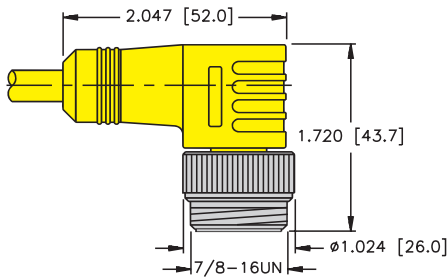
3



RKM ..

Pages S50

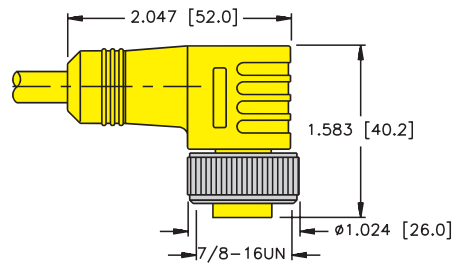
2



WSM ..

Pages S50

4



WKM ..

Pages S50