

TURCK

Network Media Products

DeviceNet™, eurofast® Junction Tee

- **Indoor Use Only**
(for outdoor applications use JBBS family)
- **Multi-Port Junction Provides a Rugged Connection to Network Devices**
- **Bus-in/Bus-out Feature Eliminates Need for Splitter Tee**



Part Number	Application	Wiring Diagrams
JTBS 57-E433	<p>4-port Junction Tee</p> <ul style="list-style-type: none"> • (7/8-16UN) <i>minifast</i>® bus in/bus out connections • Four (M12x1) <i>eurofast</i> device ports • For nickel plated brass connectors change part number to JTBS 57-E434 	
JTBS 57VM-E433	<p>4-port Junction Tee</p> <ul style="list-style-type: none"> • (7/8-16UN) <i>minifast</i> bus in/bus out connections • Four (M12x1) <i>eurofast</i> device ports • For nickel plated brass connectors change part number to JTBS 57VM-E434 • Voltage monitoring provides low voltage (12.9 V) and high voltage (25.6) indication LED indication: (Lo) < 12.9 V Amber (Ok) 12.9 - 25.6 V Green (Hi) > 25.6 V Amber • CL I, Div 2; Groups A-D see TURCK drawing N1-2.400 T6, Ta = 70°C 	
JTBS 57-E633	<p>6-port Junction Tee</p> <ul style="list-style-type: none"> • (7/8-16UN) <i>minifast</i> bus in/bus out connections • Six (M12x1) <i>eurofast</i> device ports • For nickel plated brass connectors change part number to JTBS 57-E634 	
JTBS 57VM-E633	<p>6-port Junction Tee</p> <ul style="list-style-type: none"> • (7/8-16UN) <i>minifast</i> bus in/bus out connections • Six (M12x1) <i>eurofast</i> device ports • For nickel plated brass connectors change part number to JTBS 57VM-E634 • Voltage monitoring provides low voltage (12.9 V) and high voltage (25.6) indication LED indication: (Lo) < 12.9 V Amber (Ok) 12.9-25.6 V Green (Hi) > 25.6 V Amber • CL I, Div 2; Groups A-D see TURCK drawing N1-2.400 T6, Ta = 70°C 	

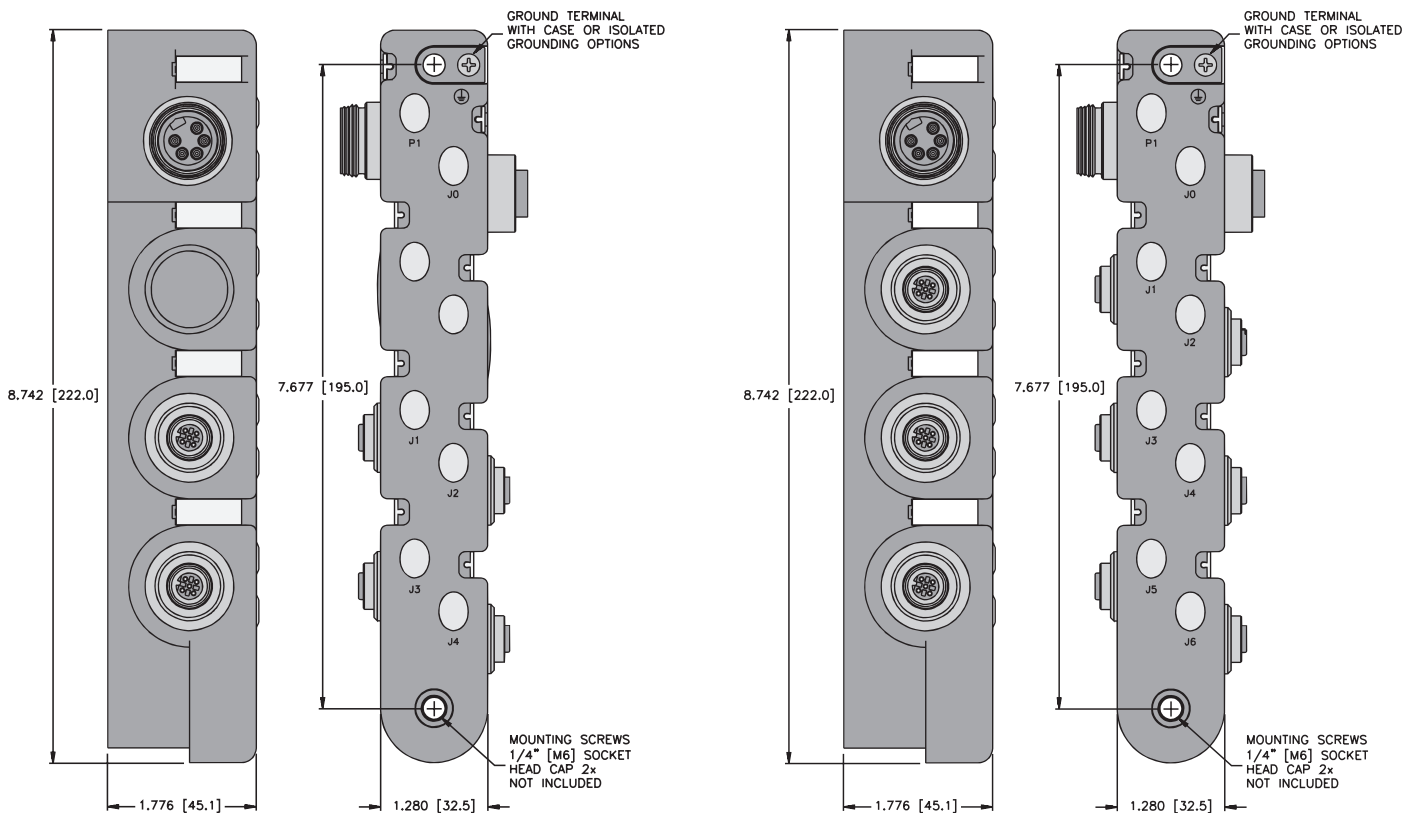
Specifications

Housing:	PUR (Polyurethane)
Coupling Nut:	Nickel Plated CuZn or Stainless Steel
Contact Carrier:	POM (Nylon)
Contacts:	Gold Plated CuZn
Protection:	NEMA 1, 3, 4, 6P and IEC IP 67
Rated Voltage:	250 V
Rated Current:	4 A
Ambient Temperature:	-40° to +75°C (-22° to +167°F)

Dimensions

4-port

6-port



Pinouts

<i>minifast</i> ®		<i>eurofast</i> ®
Male	Female	Female
