

TURCK Splitters

M8 *picofast*® to M12 *eurofast*® Adapters

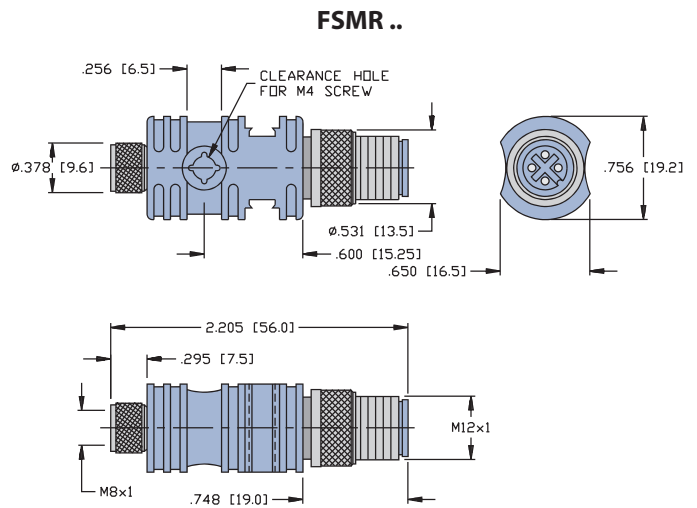
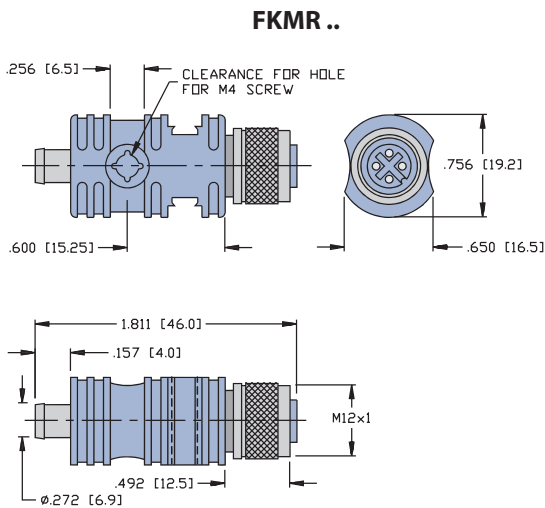
- Enables *picofast* and *eurofast* Connectors to Be Interchanged
- Compact Size Saves Space
- *eurofast* Connection has Anti-vibration Coupling Nut



Part Number	Features	Wiring Diagram
FKMR 4-ESM 3S	60 VAC / 75 VDC, 4.0 A, female <i>eurofast</i> , male snap-lock <i>picofast</i> connector, 3-pin	
FKMR 4.4-ESM 4S	30 VAC / 36 VDC, 4.0 A, female <i>eurofast</i> , male snap-lock <i>picofast</i> connector, 4-pin	
FSMR 4-SKM 3	60 VAC / 75 VDC, 4.0 A, male <i>eurofast</i> , female threaded <i>picofast</i> connector, 3-pin	
FSMR 4.4-SKM 4	30 VAC / 36 VDC, 4.0 A, male <i>eurofast</i> , female threaded <i>picofast</i> connector, 4-pin	

To add mounting hole; add /S857 to the end of the part number.

Junction Body: Oil resistant blue-gray TPU
Connector: Nylon or TPU contact holder
Contacts: Gold plated brass
Coupling Nuts: Nickel plated brass
Temperature: -30°C to +80°C (-22°F to +176°F)
Protection: NEMA 1, 3, 4, 6P and IEC IP67



Pinouts

Female			Male		
3-Pin picofast	4-Pin picofast	4-Pin eurofast	3-Pin picofast	4-Pin picofast	4-Pin eurofast