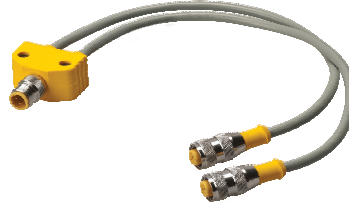


TURCK Splitters

M12 eurofast® 2-Branch Splitters, Series Wiring

- Combine Two Sensors into One Cable
- Series Wired
- Tough TPU Construction
- For 3-wire DC Sensors or Switches

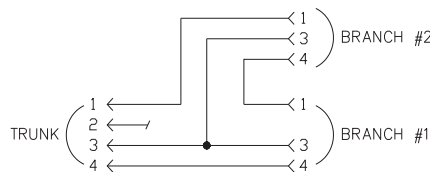


Housing	Part Number	Features	Wiring Diagram
	VB2-FSM 4.4/2FKM 4/S719	250 V, 4.0 A, series wired for AND function (PNP signals)	Series
	VB2-RS 4.4T-*/2FKM 4/S719	250 V, 4.0 A, RS 4.4T = Grey PVC, 5.1 mm OD, 4x22 AWG, series wired for AND function (PNP signals)	Series
	VB2-FSM 4.4/2RK 4T-*/*/S719	250 V, 4.0 A, RK 4T = Grey PVC, 5.1 mm OD, 3x20 AWG, series wired for AND function (PNP signals)	Series
	VB2-RS 4.4T-*/2RK 4T-*/*/S719	250 V, 4.0 A, Grey PVC, 5.1 mm OD, RK 4T - 3x20 AWG, RS 4.4T - 4x22 AWG, series wired for AND function (PNP signals)	Series

* Length in meters.

Wiring Diagram

Series



Junction Body:	Oil resistant yellow TPU
Connector:	Oil resistant TPU body material, Nylon or TPU contact carrier, spacings to VDE 0110 Group C
Contacts:	Gold plated brass
Coupling Nuts:	Nickel plated brass
Cable:	See table
Temperature:	-40°C to +105°C (-40°F to +221°F)
Protection:	IEC IP67

Cable Length: Trunk - nominal 1 meter. Branches - nominal 0.3 meters. Other lengths available by request - consult factory.

Cable Options: Standard cable jacket - grey PVC. TPU and other jackets available by request - consult factory.

Connector Options: (for legs with cable)

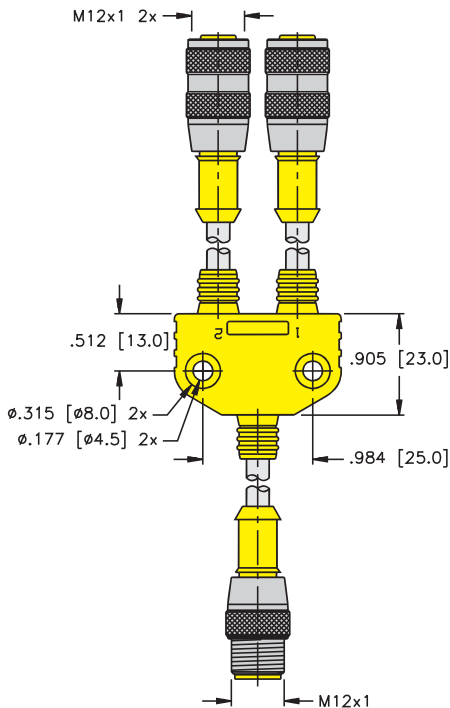
Stainless steel coupling nut add "V" to part number (RS to RSV, RK to RKV).

Nylon coupling nut add "K" to part number (RS to RSK, RK to RKK).

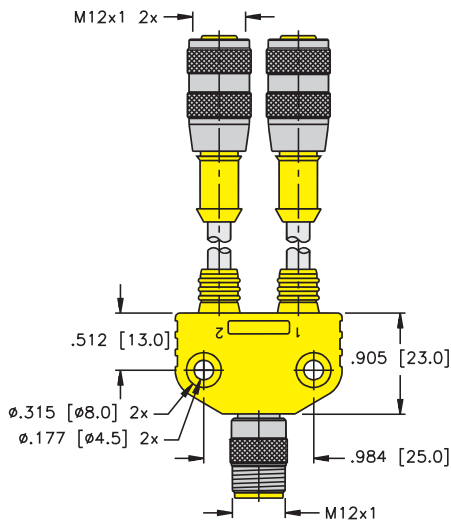
Right angle connectors, change part number (RS to WS, RK to WK).

Notes: Mounting holes accept #8 screw.

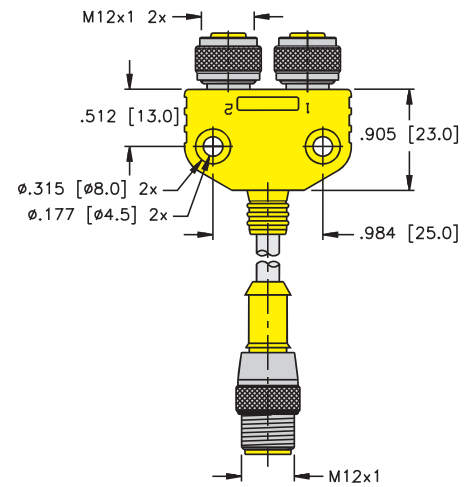
VB2-RS 4.4T-*/2RK 4T-*/S719



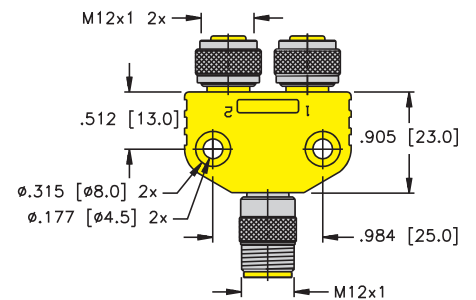
VB2-FSM 4.4/2RK 4T-*/S719



VB2-RS 4.4T-*/2FKM 4/S719



VB2-FSM 4.4/2FKM 4/S719



Pinouts

Female	Male
4-Pin	4-Pin