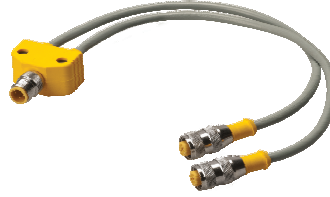


# TURCK Splitters

## M12 eurofast® 2-Branch Splitters, Parallel Wiring, Shielded Option

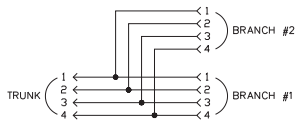
- For Use on Photoelectric Controls, Power Distribution and other Dual-Input Applications
- Tough TPU Construction



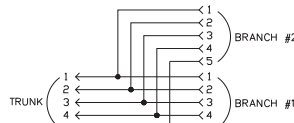
Housing	Part Number	Features	Wiring Diagram
	VB2-FSM 4.4/2FKM 4.4/S651	250 V, 4.0 A, parallel wired, 4 conductor	Parallel
	VB2-RS 4.4T-*/2FKM 4.4/S651	250 V, 4.0 A, RS 4.4T = Grey PVC, 5.1 mm OD, 4x22 AWG, parallel wired, 4 conductor	Parallel
	VB2-FSM 4.4/2RK 4.4T-*/*/S651	250 V, 4.0 A, RK 4.4T = Grey PVC, 5.1 mm OD, 4x22 AWG, parallel wired, 4 conductor	Parallel
	VB2-RS 4.4T-*/2RK 4.4T-*/*/S651	250 V, 4.0 A, Grey PVC, 5.1 mm OD, 4x22 AWG, parallel wired, 4 conductor	Parallel
	VB2-FSM 4.5/2FKM 4.5/S651	250 V, 4.0 A, parallel wired, 5 conductor	Parallel
	VB2-FSMS 4.5/2FKMS 4.5/S651	250 V, 4.0 A, parallel wired, Shielded, 5 conductor	Parallel, Shielded
	VB2-RS 4.5T-*/2FKM 4.5/S651	250 V, 4.0 A, RS 4.5T = Grey PVC, 5.7 mm OD, 5x22 AWG, parallel wired, 5 conductor	Parallel
	VB2-FSM 4.5/2RK 4.5T-*/*/S651	250 V, 4.0 A, RK 4.5T = Grey PVC, 5.7 mm OD, 5x22 AWG, parallel wired, 5 conductor	Parallel
	VB2-RS 4.5T-*/2RK 4.5T-*/*/S651	250 V, 4.0 A, Grey PVC, 5.7 mm OD, 5x22 AWG, parallel wired, 5 conductor	Parallel
	VB2-FKMS 4.5/2FSMS 4.5/S651	250 V, 4.0 A, parallel wired, shielded, 5 conductor	Parallel, Shielded

### Wiring Diagrams

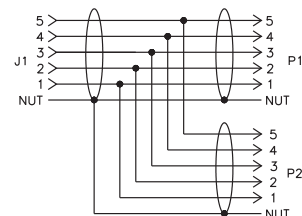
Parallel, 4-pin



Parallel, 5-pin



Parallel, Shielded, 5-pin



<b>Junction Body:</b>	Oil resistant yellow TPU
<b>Connector:</b>	Oil resistant TPU body material, Nylon or TPU contact carrier. Spacings to VDE 0110 Group C
<b>Contacts:</b>	Gold plated brass
<b>Coupling Nuts:</b>	Nickel plated brass
<b>Cable:</b>	See table
<b>Temperature:</b>	-40°C to +105°C (-40°F to +221°F)
<b>Protection:</b>	IEC IP67 IEC IP60 (shielded)

**Cable Length:** Trunk - nominal 1 meter. Branches - nominal 0.3 meters. Other lengths available by request - consult factory.

**Cable Options:** Standard cable jacket - grey PVC. TPU and other jackets available by request - consult factory.

**Connector Options:** (for legs with cable)

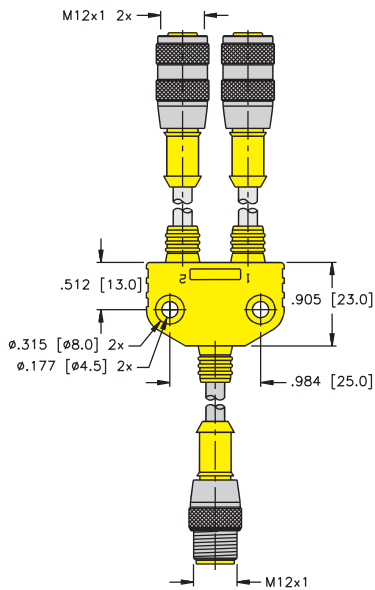
Stainless steel coupling nut add "V" to part number (RS to RSV, RK to RKV).

Nylon coupling nut add "K" to part number (RS to RSK, RK to RKK).

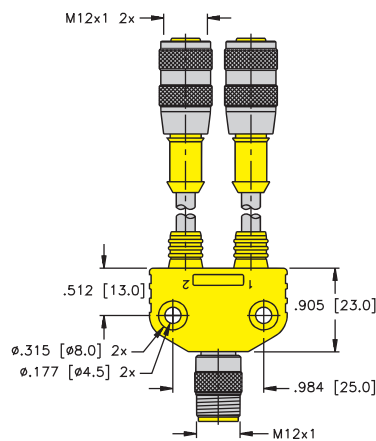
Right angle connectors, change part number (RS to WS, RK to WK).

**Notes:** Mounting holes accept #8 screw.

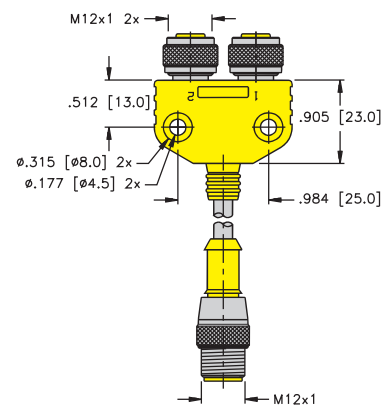
### VB2-RS 4.4(5)T-\*/2RK 4.4(5)T-\*/S651



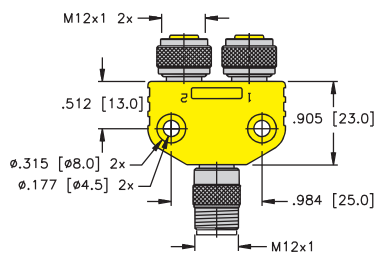
### VB2-FSM 4.4(5)/2RK 4.4(5)T-\*/S651



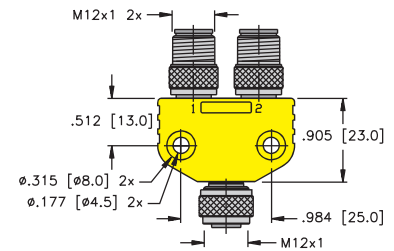
### VB2-RS 4.4(5)T-\*/2FKM 4.4(5)/S651



### VB2-FSM(S) 4.4(5)/2FKM(S) 4.4(5)/S651



### VB2-FKMS 4.5/2FSMS 4.5/S651



## Pinouts

Female	Female	Male	Male
<b>4-Pin</b>	<b>5-Pin</b>	<b>4-Pin</b>	<b>5-Pin</b>