



*multibox*° *picofast*° Junction Boxes, 8-port, 4-pin

- Dual Input/Output per Port
- Snap Lock or Threaded Connectors
- M16 Quick Disconnect or Integral Home Run Cable

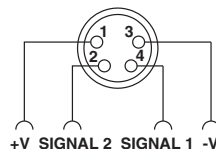
**4-port, 4-pin, Snap Lock, 10-48 VDC**

Application	Specifications	Pinout	Part Number																																								
8-port J-box 2 signals per port Snap lock connectors Top integral cable	3 A/port, 4 A total Black PVC cable 10x24 AWG	<table border="0"> <tr> <td><u>Function</u></td> <td><u>Color</u></td> <td><u>Function</u></td> <td><u>Color</u></td> </tr> <tr> <td>-V</td> <td>BU</td> <td>Port 4/4</td> <td>WH</td> </tr> <tr> <td>+V</td> <td>BN</td> <td>Port 5/2</td> <td>PK</td> </tr> <tr> <td>Port 1/2</td> <td>RD</td> <td>Port 5/4</td> <td>GY</td> </tr> <tr> <td>Port 1/4</td> <td>OG</td> <td>Port 6/2</td> <td>YE / BN</td> </tr> <tr> <td>Port 2/2</td> <td>VT</td> <td>Port 6/4</td> <td>YE</td> </tr> <tr> <td>Port 2/4</td> <td>RD / BI</td> <td>Port 7/2</td> <td>GY / PK</td> </tr> <tr> <td>Port 3/2</td> <td>GY / BN</td> <td>Port 7/4</td> <td>WH / GN</td> </tr> <tr> <td>Port 3/4</td> <td>Tn</td> <td>Port 8/2</td> <td>WH / YE</td> </tr> <tr> <td>Port 4/2</td> <td>BK</td> <td>Port 8/4</td> <td>GN</td> </tr> </table>	<u>Function</u>	<u>Color</u>	<u>Function</u>	<u>Color</u>	-V	BU	Port 4/4	WH	+V	BN	Port 5/2	PK	Port 1/2	RD	Port 5/4	GY	Port 1/4	OG	Port 6/2	YE / BN	Port 2/2	VT	Port 6/4	YE	Port 2/4	RD / BI	Port 7/2	GY / PK	Port 3/2	GY / BN	Port 7/4	WH / GN	Port 3/4	Tn	Port 8/2	WH / YE	Port 4/2	BK	Port 8/4	GN	VB 804Z-*
<u>Function</u>		<u>Color</u>	<u>Function</u>	<u>Color</u>																																							
-V	BU	Port 4/4	WH																																								
+V	BN	Port 5/2	PK																																								
Port 1/2	RD	Port 5/4	GY																																								
Port 1/4	OG	Port 6/2	YE / BN																																								
Port 2/2	VT	Port 6/4	YE																																								
Port 2/4	RD / BI	Port 7/2	GY / PK																																								
Port 3/2	GY / BN	Port 7/4	WH / GN																																								
Port 3/4	Tn	Port 8/2	WH / YE																																								
Port 4/2	BK	Port 8/4	GN																																								
8-port J-box 2 signals per port Snap lock connectors Side integral cable			VB 804Z-*C																																								
8-port J-box 2 signals per port Snap lock connectors M16 connector	3 A/port, 4 A total 19-pin M16 connector 18 conductor Mates with BKM 19-995-*	<table border="0"> <tr> <td><u>Function</u></td> <td><u>Pin/Color</u></td> <td><u>Function</u></td> <td><u>Pin/Color</u></td> </tr> <tr> <td>+V</td> <td>L/BN</td> <td>Port 4/4</td> <td>P/WH</td> </tr> <tr> <td>-V</td> <td>A/BU</td> <td>Port 5/2</td> <td>G/PK</td> </tr> <tr> <td>Port 1/2</td> <td>R/RD</td> <td>Port 5/4</td> <td>S/GY</td> </tr> <tr> <td>Port 1/4</td> <td>M/OG</td> <td>Port 6/2</td> <td>K/YE/BN</td> </tr> <tr> <td>Port 2/2</td> <td>O/VT</td> <td>Port 6/4</td> <td>T/YE</td> </tr> <tr> <td>Port 2/4</td> <td>C/RD/BU</td> <td>Port 7/2</td> <td>B/GY/PK</td> </tr> <tr> <td>Port 3/2</td> <td>N/GY/BN</td> <td>Port 7/4</td> <td>D/WH/GN</td> </tr> <tr> <td>Port 3/4</td> <td>U/TN</td> <td>Port 8/2</td> <td>H/WH/YE</td> </tr> <tr> <td>Port 4/2</td> <td>E/BK</td> <td>Port 8/4</td> <td>I/GN</td> </tr> </table>	<u>Function</u>	<u>Pin/Color</u>	<u>Function</u>	<u>Pin/Color</u>	+V	L/BN	Port 4/4	P/WH	-V	A/BU	Port 5/2	G/PK	Port 1/2	R/RD	Port 5/4	S/GY	Port 1/4	M/OG	Port 6/2	K/YE/BN	Port 2/2	O/VT	Port 6/4	T/YE	Port 2/4	C/RD/BU	Port 7/2	B/GY/PK	Port 3/2	N/GY/BN	Port 7/4	D/WH/GN	Port 3/4	U/TN	Port 8/2	H/WH/YE	Port 4/2	E/BK	Port 8/4	I/GN	VB 804Z-BS19
<u>Function</u>	<u>Pin/Color</u>	<u>Function</u>	<u>Pin/Color</u>																																								
+V	L/BN	Port 4/4	P/WH																																								
-V	A/BU	Port 5/2	G/PK																																								
Port 1/2	R/RD	Port 5/4	S/GY																																								
Port 1/4	M/OG	Port 6/2	K/YE/BN																																								
Port 2/2	O/VT	Port 6/4	T/YE																																								
Port 2/4	C/RD/BU	Port 7/2	B/GY/PK																																								
Port 3/2	N/GY/BN	Port 7/4	D/WH/GN																																								
Port 3/4	U/TN	Port 8/2	H/WH/YE																																								
Port 4/2	E/BK	Port 8/4	I/GN																																								

**8-port, 4-pin, Threaded, 10-48 VDC**

Application	Specifications	Pinout	Part Number																																								
8-port J-box 2 signals per port Threaded connectors Top integral cable	3 A/port, 4 A total Black PVC cable 10x24 AWG	<table border="0"> <tr> <td><u>Function</u></td> <td><u>Color</u></td> <td><u>Function</u></td> <td><u>Color</u></td> </tr> <tr> <td>-V</td> <td>BU</td> <td>Port 4/4</td> <td>WH</td> </tr> <tr> <td>+V</td> <td>BN</td> <td>Port 5/2</td> <td>PK</td> </tr> <tr> <td>Port 1/2</td> <td>RD</td> <td>Port 5/4</td> <td>GY</td> </tr> <tr> <td>Port 1/4</td> <td>OG</td> <td>Port 6/2</td> <td>YE / BN</td> </tr> <tr> <td>Port 2/2</td> <td>VT</td> <td>Port 6/4</td> <td>YE</td> </tr> <tr> <td>Port 2/4</td> <td>RD / BI</td> <td>Port 7/2</td> <td>GY / PK</td> </tr> <tr> <td>Port 3/2</td> <td>GY / BN</td> <td>Port 7/4</td> <td>WH / GN</td> </tr> <tr> <td>Port 3/4</td> <td>Tn</td> <td>Port 8/2</td> <td>WH/ YE</td> </tr> <tr> <td>Port 4/2</td> <td>BK</td> <td>Port 8/4</td> <td>GN</td> </tr> </table>	<u>Function</u>	<u>Color</u>	<u>Function</u>	<u>Color</u>	-V	BU	Port 4/4	WH	+V	BN	Port 5/2	PK	Port 1/2	RD	Port 5/4	GY	Port 1/4	OG	Port 6/2	YE / BN	Port 2/2	VT	Port 6/4	YE	Port 2/4	RD / BI	Port 7/2	GY / PK	Port 3/2	GY / BN	Port 7/4	WH / GN	Port 3/4	Tn	Port 8/2	WH/ YE	Port 4/2	BK	Port 8/4	GN	VB 804M-*
<u>Function</u>		<u>Color</u>	<u>Function</u>	<u>Color</u>																																							
-V	BU	Port 4/4	WH																																								
+V	BN	Port 5/2	PK																																								
Port 1/2	RD	Port 5/4	GY																																								
Port 1/4	OG	Port 6/2	YE / BN																																								
Port 2/2	VT	Port 6/4	YE																																								
Port 2/4	RD / BI	Port 7/2	GY / PK																																								
Port 3/2	GY / BN	Port 7/4	WH / GN																																								
Port 3/4	Tn	Port 8/2	WH/ YE																																								
Port 4/2	BK	Port 8/4	GN																																								
8-port J-box 2 signals per port Threaded connectors Side integral cable			VB 804M-*C																																								
8-port J-box 2 signals per port Threaded connectors M16 connector	3 A/port, 4 A total 19-pin M16 connector 18 conductor Mates with BKM 19-995-*	<table border="0"> <tr> <td><u>Function</u></td> <td><u>Pin/Color</u></td> <td><u>Function</u></td> <td><u>Pin/Color</u></td> </tr> <tr> <td>+V</td> <td>L/BN</td> <td>Port 4/4</td> <td>P/WH</td> </tr> <tr> <td>-V</td> <td>A/BU</td> <td>Port 5/2</td> <td>G/PK</td> </tr> <tr> <td>Port 1/2</td> <td>R/RD</td> <td>Port 5/4</td> <td>S/GY</td> </tr> <tr> <td>Port 1/4</td> <td>M/OG</td> <td>Port 6/2</td> <td>K/YE/BN</td> </tr> <tr> <td>Port 2/2</td> <td>O/VT</td> <td>Port 6/4</td> <td>T/YE</td> </tr> <tr> <td>Port 2/4</td> <td>C/RD/BU</td> <td>Port 7/2</td> <td>B/GY/PK</td> </tr> <tr> <td>Port 3/2</td> <td>N/GY/BN</td> <td>Port 7/4</td> <td>D/WH/GN</td> </tr> <tr> <td>Port 3/4</td> <td>U/TN</td> <td>Port 8/2</td> <td>H/WH/YE</td> </tr> <tr> <td>Port 4/2</td> <td>E/BK</td> <td>Port 8/4</td> <td>I/GN</td> </tr> </table>	<u>Function</u>	<u>Pin/Color</u>	<u>Function</u>	<u>Pin/Color</u>	+V	L/BN	Port 4/4	P/WH	-V	A/BU	Port 5/2	G/PK	Port 1/2	R/RD	Port 5/4	S/GY	Port 1/4	M/OG	Port 6/2	K/YE/BN	Port 2/2	O/VT	Port 6/4	T/YE	Port 2/4	C/RD/BU	Port 7/2	B/GY/PK	Port 3/2	N/GY/BN	Port 7/4	D/WH/GN	Port 3/4	U/TN	Port 8/2	H/WH/YE	Port 4/2	E/BK	Port 8/4	I/GN	VB 804M-BS19
<u>Function</u>	<u>Pin/Color</u>	<u>Function</u>	<u>Pin/Color</u>																																								
+V	L/BN	Port 4/4	P/WH																																								
-V	A/BU	Port 5/2	G/PK																																								
Port 1/2	R/RD	Port 5/4	S/GY																																								
Port 1/4	M/OG	Port 6/2	K/YE/BN																																								
Port 2/2	O/VT	Port 6/4	T/YE																																								
Port 2/4	C/RD/BU	Port 7/2	B/GY/PK																																								
Port 3/2	N/GY/BN	Port 7/4	D/WH/GN																																								
Port 3/4	U/TN	Port 8/2	H/WH/YE																																								
Port 4/2	E/BK	Port 8/4	I/GN																																								

**Functional Wiring Diagrams**

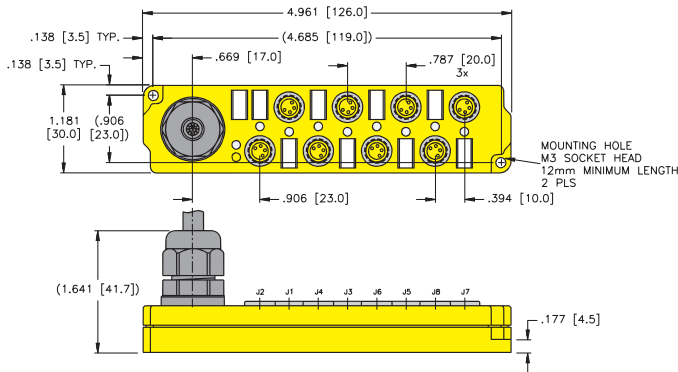


**Specifications**

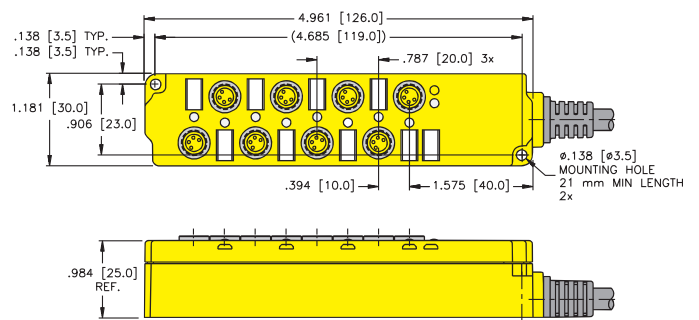
- Housing:** Nylon/yellow
- Connectors:** TPU or nylon (J1-8), Nylon (P1)
- Contacts:** Gold plated brass
- Thread Inserts:** Nickel plated brass
- Cable:** See table
- Temperature:** -30°C to +80°C (-22°F to +176°F)
- Protection:** IEC IP67
- Accessories:** KS 5/10 labels, 2 pieces PSG-CC (snap lock) or PSGM-CC (threaded) included
- Cable Length:** Standard length is nominal 5 meters
- Recommended Splitter:** YP2-MFS 4/2 MFK3, for threaded version only

**Dimensions**

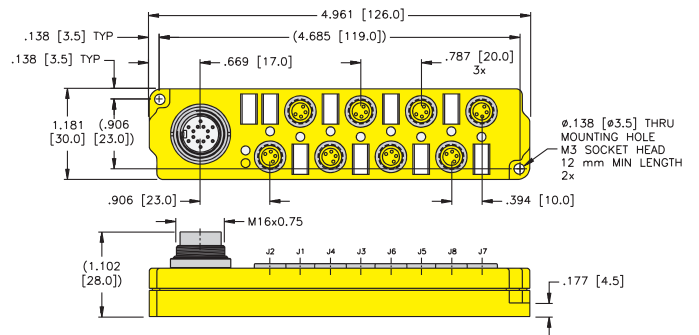
**4-Port with Top Integral Home Run Cable**



**4-Port with Side Integral Home Run Cable**



**4-Port with versafast Home Run Connector**



**Pinout**

Female	Male
<b>4-pin picofast</b>	<b>19-pin versafast</b>

Multibox, picofast