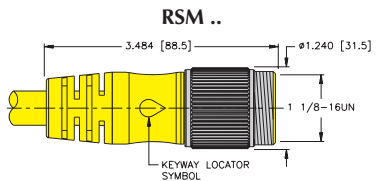
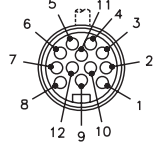


12-Wire *minifast*® Cordsets, "C" Style Heavy Duty

- Straight Male Connectors
- NEMA 1, 3, 4, 6P and IEC IP 67 Protection
- 600 VAC/DC, 7 A



Housing Style	Part Number	Cable	Features	Pinout
	RSM 126-*M	ITC PLTC PVC Yellow 12x16 AWG 105°C 13.2 mm OD Cable #RF51035-*M <sup>†</sup>	<i>flexlife</i> ®	
	RSM 126-*M/S90	ITC/PLTC PUR Yellow 12x16 AWG 105°C 13.2 mm OD Cable #RF51142-*M <sup>†</sup>	<i>Cut/abrasion Immune</i>	
	RSM 126-*M/S101	AWM TPE Yellow 12x16 AWG 105°C 11.2 mm OD Cable #RF51148-*M <sup>†</sup>	<i>flexlife-10, High flex - over 10 million cycles</i>	
	RSM 126-*M/S600	SOOW CPE Yellow 12x16 AWG 105°C 16.5 mm OD Cable #RF51023-*M <sup>†</sup>	<i>Weld Flash Immune, Flame Immune</i>	
	RSM 126-*M/S1587	AWM TPE Yellow 12x16 AWG 105°C 12.5 mm OD Cable #RF51017-*M <sup>†</sup>	<i>weldlife, Weld Flash Immune</i>	
	RSM 126-*M/S1052/S1587	AWM TPE Grey 12x16 AWG 105°C 12.5 mm OD Cable #RF51275-*M <sup>†</sup>	<i>weldlife, Weld Flash Immune</i>	

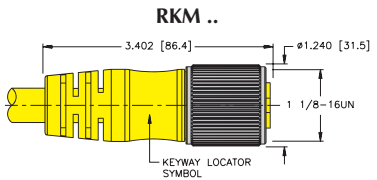
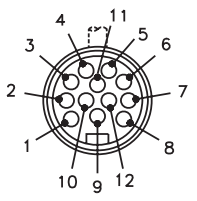
\* Length in Meters. Standard cable lengths are 2, 4, 5, 6, 8 and 10 meters. Consult factory for other lengths. Standard coupling nut material is nickel plated brass "RSM .."; "RSV .." indicates 316 stainless steel.

<sup>†</sup> See Section N for *reelfast*® cable information.

12-Wire *minifast*® Cordsets, "C" Style Heavy Duty

- Straight Female Connectors
- NEMA 1, 3, 4, 6P and IEC IP 67 Protection
- 600 VAC/DC, 7 A



Housing Style	Part Number	Cable	Features	Pinout
	RKM 126-*M	ITC PLTC PVC Yellow 12x16 AWG 105°C 13.2 mm OD Cable #RF51035-*M <sup>†</sup>	<i>flexlife</i> ®	
	RKM 126-*M/S90	ITC/PLTC PUR Yellow 12x16 AWG 105°C 13.2 mm OD Cable #RF51142-*M <sup>†</sup>	<i>Cut/abrasion Immune</i>	
	RKM 126-*M/S101	AWM TPE Yellow 12x16 AWG 105°C 11.2 mm OD Cable #RF51148-*M <sup>†</sup>	<i>flexlife-10, High flex - over 10 million cycles</i>	
	RKM 126-*M/S600	SOOW CPE Yellow 12x16 AWG 105°C 16.5 mm OD Cable #RF51023-*M <sup>†</sup>	<i>Weld Flash Immune, Flame Immune</i>	
	RKM 126-*M/S1587	AWM TPE Yellow 12x16 AWG 105°C 12.5 mm OD Cable #RF51017-*M <sup>†</sup>	<i>weldlife, Weld flash Immune</i>	
	RKM 126-*M/S1052/S1587	AWM TPE Grey 12x16 AWG 105°C 12.5 mm OD Cable #RF51275-*M <sup>†</sup>	<i>weldlife, Weld flash Immune</i>	

Cordsets

\* Length in Meters. Standard cable lengths are 2, 4, 5, 6, 8 and 10 meters. Consult factory for other lengths. Standard coupling nut material is nickel plated brass "RKM .."; "RKV .." indicates 316 stainless steel.

<sup>†</sup> See Section N for *reelfast*® cable information.