

# Mini-Com® Modular Furniture Faceplates

## specifications

Modular furniture faceplates shall be available in multiple port densities, flat or sloped, with or without label pocket. Select furniture faceplates shall mount to standard and/or custom furniture openings depending on the furniture manufacturer it's compatible with. Furniture faceplates will accept any Mini-Com® Module.



## technical information

<b>Mounting options:</b>	Standard sizes have industry standard TIA/EIA opening; custom sizes vary by furniture manufacturer: Standard openings: 1.345"-1.405"(H) x 2.67"-2.75"(W), maximum panel thickness of 0.09"
CFFPHM4**:	1.88"-1.91"(H) x 2.98"-3.03"(W), maximum panel thickness of 0.09"
CFFPEBSL4**:	2.38"(H) x 3.44"(W), maximum panel thickness of 0.05"
CFFPKE3**:	1.60"(H) x 3.36"(W), maximum panel thickness of 0.04"
<b>Packaging:</b>	Versions with label include label and label cover

## key features and benefits

<b>Modular</b>	Accepts all Mini-Com® Modules, which snap in and out for easy moves, adds, and changes
<b>Bend radius control</b>	Bend radius can be protected or improved by using a sloped design or the faceplate extender, which will add 0.5" to the in-wall depth
<b>Identification</b>	Select faceplates include label pockets with labels and label covers for easy identification of ports; optional adhesive labels available
<b>Various port densities</b>	Provides design flexibility

## applications

The 2 and 4 position furniture faceplates (CFFP4\*\*, CFFPL4\*\*, CFFPLA4\*\*, and CFFPA2\*\*) are used in work areas with modular furniture which have the TIA/EIA standard furniture outlet opening. Modular furniture manufacturers like Herman Miller^ and Knoll^ have custom openings for various models of furniture. The CFFPHM4\*\* can be used with Herman Miller Action Office 2 and 3, and Baseline furniture series. The

CFFPEBSL4\*\* is designed to work with the Ethospace Beltline series, and is a 4-position sloped faceplate. Knoll Equity^ furniture can utilize CFFPKE3\*\*, which is a 3-position furniture faceplate that is extended off the face of the furniture. Also offered is a comparable 3-position faceplate, CFFPE3\*\*, which adapts to Knoll's Morrison^^ Series, in addition to the TIA/EIA standard opening.

### Modular Furniture Faceplates (for standard openings)

<b>4 module space:</b>	CFFP4IW*
<b>4 module space (with labels):</b>	CFFPL4IW*
<b>4 module space sloped (with labels):</b>	CFFPLA4IW*
<b>2 module space sloped:</b>	CFFPA2IW*
<b>3 module space Knoll Morrison^^:</b>	CFFPE3IW*

### Modular Furniture Faceplates (for standard openings)

<b>4 module space Herman Miller^:</b>	CFFPHM4IW*
<b>4 module space sloped Herman Miller^ Ethospace Beltline with label and icon slots:</b>	CFFPEBSL4IW*
<b>3 module space Knoll Equity^^:</b>	CFFPKE3IW*

### Label Options for Three Module Space Faceplates

<b>Laser/inkjet:</b>	C061X030FJJ
<b>PanTher™ LS8E:</b>	C061X030FJC

### Label Options for Two and Four Module Space Faceplates (without labels)

<b>Laser/inkjet:</b>	C125X030FJJ
<b>PanTher™ LS8E:</b>	C125X030FJC

### Label Options for Four Module Space Faceplates (with labels)

<b>Laser/inkjet:</b>	C261X035Y1J
<b>PanTher™ LS8E:</b>	C261X035Y1C

### Accessories

<b>Modular furniture faceplate extender:</b>	MFFPEIW*
(For use with CFFP4, CFFPL4, and CFFPE3)	

<b>Replacement labels and label covers:</b>	C4PPLK
(For faceplates with labels)	

\*For other colors, replace suffix IW (Off White) with EI (Electric Ivory), WH (White), or IG (International Gray).

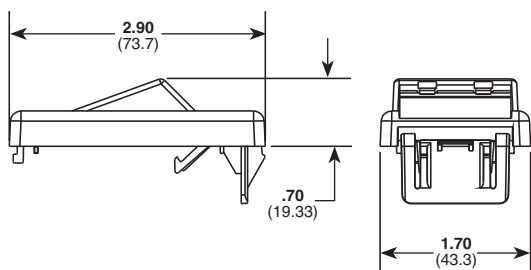
^Herman Miller is a trademark of Herman Miller, Inc. Zeeland, MI.

^^Knoll and Equity are registered trademarks of Knoll, Inc.

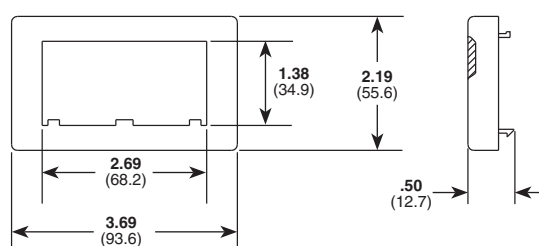
^^Morrison is a trademark of Knoll, Inc.

# Mini-Com® Modular Furniture Faceplates

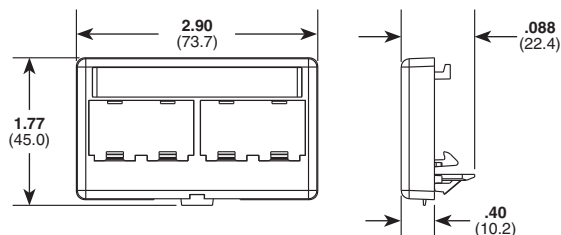
### 2 Module Space Sloped (CFFPA2)



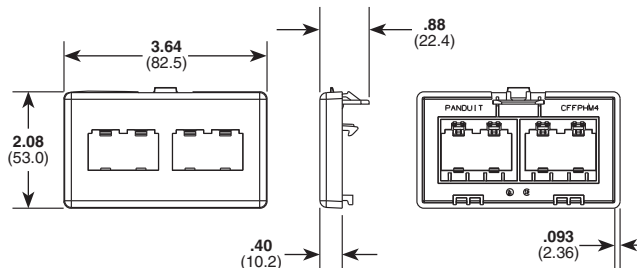
### Extender (MFFPE)



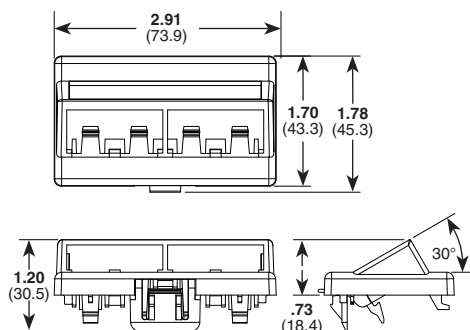
### 4 Module Space (CFFP4 & CFFPL4)



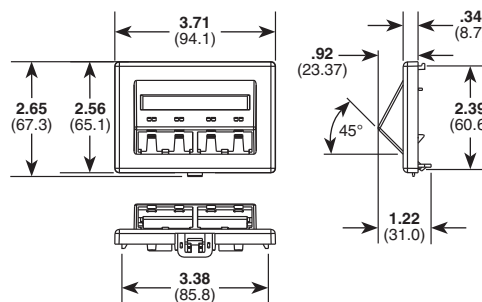
### 4 Module Space Herman Miller^ (CFFPHM4)



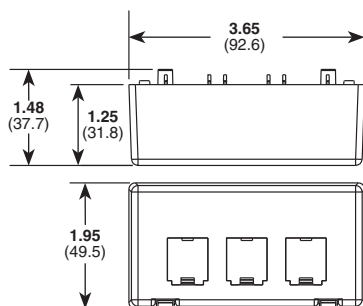
### 4 Module Space Sloped with labels (CFFPLA4)



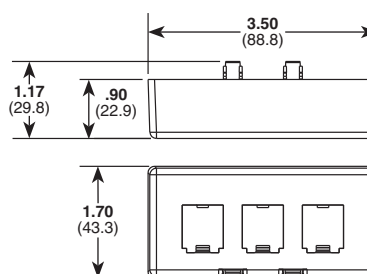
### 4 Module Space Sloped Herman Miller^ Ethospace Beltline (CFFPEBSL4)



### 3 Module Space Knoll Equity^^ (CFFPKE3)



### 3 Module Space Knoll Morrison^^^ (CFFPE3)



Dimensions are in inches [Dimensions in parenthesis are metric]

## WORLDWIDE SUBSIDIARIES AND SALES OFFICES

PANDUIT CANADA  
Markham, Ontario  
cs-cdn@panduit.com  
Phone: 800.777.3300

PANDUIT EUROPE LTD.  
London, UK  
cs-emea@panduit.com  
Phone: 44.20.8601.7200

PANDUIT SINGAPORE PTE. LTD.  
Republic of Singapore  
cs-ap@panduit.com  
Phone: 65.6305.7575

PANDUIT JAPAN  
Tokyo, Japan  
cs-japan@panduit.com  
Phone: 81.3.6863.6000

PANDUIT LATIN AMERICA  
Guadalajara, Mexico  
cs-la@panduit.com  
Phone: 52.33.3777.6000

PANDUIT AUSTRALIA PTY. LTD.  
Victoria, Australia  
cs-aus@panduit.com  
Phone: 61.3.9794.9020

For a copy of Panduit product warranties, log on to [www.panduit.com/warranty](http://www.panduit.com/warranty)

For more information

Visit us at [www.panduit.com](http://www.panduit.com)

Contact Customer Service by email: [cs@panduit.com](mailto:cs@panduit.com)  
or by phone: 800.777.3300

# PANDUIT®

©2013 Panduit Corp.  
ALL RIGHTS RESERVED.  
OTSP32--WW-ENG  
Replaces WW-OTSP19  
5/2013