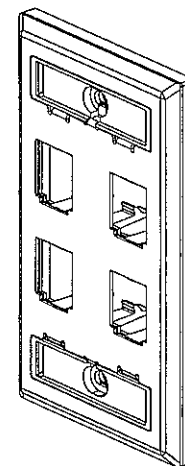
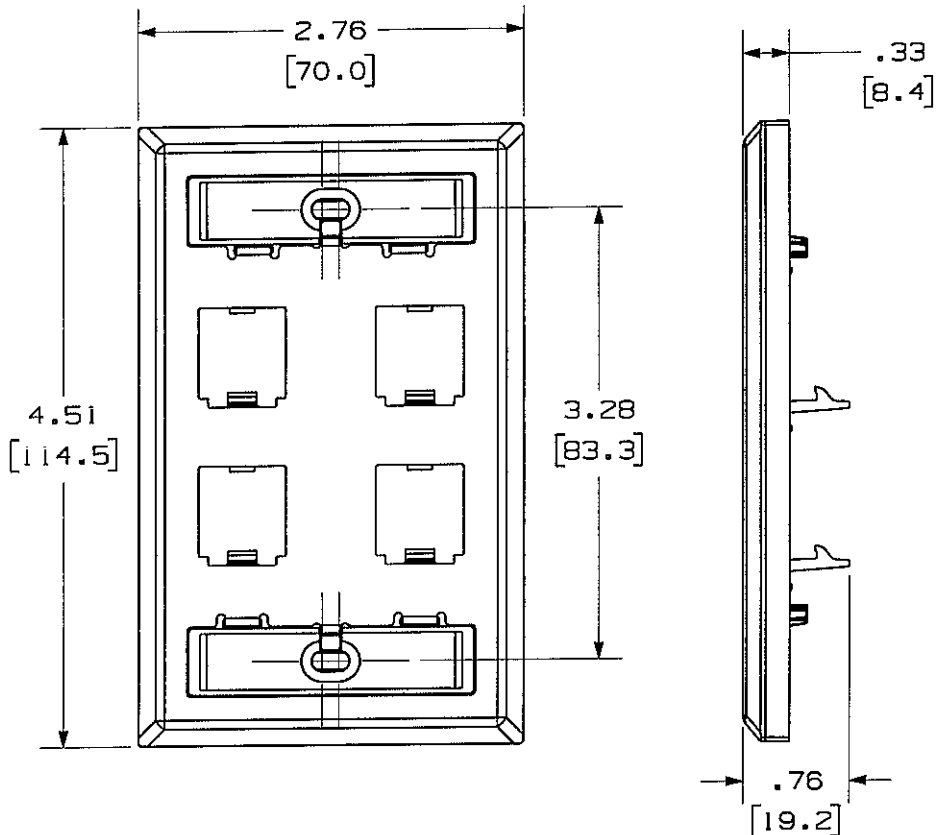


THIS COPY IS PROVIDED ON A RESTRICTED BASIS AND IS NOT TO BE USED IN ANY WAY DETRIMENTAL TO THE INTERESTS OF PANDUIT CORP.

PANDUIT P/N	WEIGHT
CFPL4SY	.92 LB/10 PCS (417.3g/10 PCS)

NOTES:

- SEE CURRENT CATALOG FOR ADDITIONAL PART NUMBER SUFFIXES TO INDICATE COLOR AND OR PACKAGE QUANTITY.
- SEE CATALOG FOR COMPLETE LIST OF PARTS APPLICABLE FOR USE WITH THIS PART.
- DIMENSIONS IN PARENTHESES ARE IN METRIC.
- PART INCLUDES:
  - 1- FACEPLATE
  - 2- #6-32 X 1" MOUNTING SCREWS
  - 2- LABEL
  - 2- LABEL COVER



MODEL FILENAME	M02093AE_CFPL4S_02.PRT	SIZE <b>A</b>
DRAWING FILENAME	M02479FJ_DC142_00A.PRT	

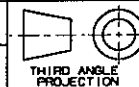
MINI-COM 4 POSITION STAINLESS STEEL FACEPLATE WITH LABEL CUSTOMER DRAWING

NETWORK SYSTEMS

MAY 25 2006

ENGINEERING DEPT

**PANDUIT**™  
CORP.  
TINLEY PARK, ILL 60477



ALL DIMENSIONS ARE GIVEN IN INCHES, UNLESS OTHERWISE SPECIFIED.  
DIMENSIONAL TOLERANCES ARE:  
(.X) ± (XXX) ± .010(.3)  
(.XX) ± .03(.8) ANGLES ±

I.I. NUMBER	N/A
PRODUCT SPEC	N/A
WORK INSTRUCTION	N/A
SCALE	NONE

DRAWN BY  
JsP

MATERIAL:

PART NO.  
CFPL4SY

DATE  
3-14-06

FACEPLATE- STAINLESS STEEL  
BACKING- ABS

DRAWING NO.  
02479-142

R	3-14-06	JsP	JCO	RELEASED TO PRODUCTION	02479-142	JCO	JCO		
REV	DATE	BY	CHK	DESCRIPTION	ECN	R	CUST	SUP	OTH

CHK'D  
JCO