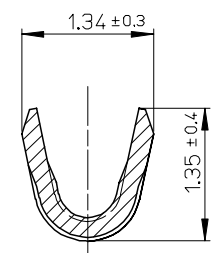
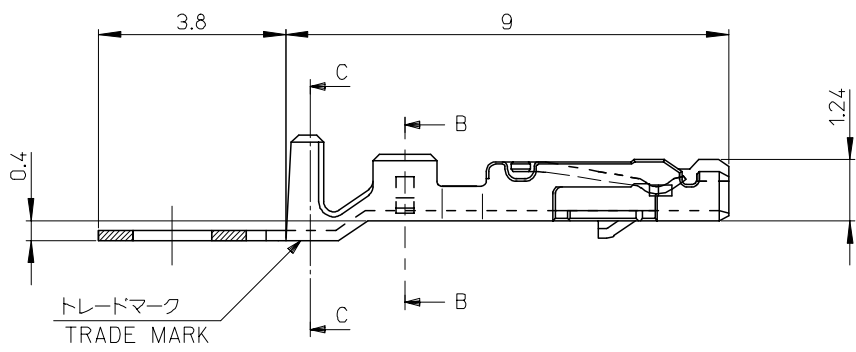
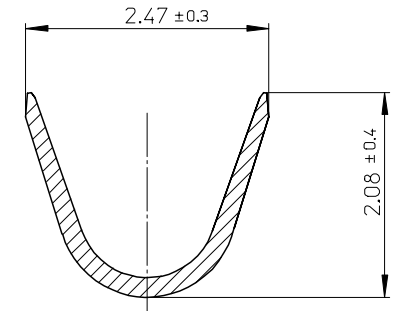


注記  
NOTES

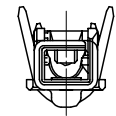
1. 使用材料 : 銅合金, 錫メッキ (t=0.2)  
MATERIAL : PRE-TINNED COPPER ALLOY
2. 適合ハウジング : 501646 シリーズ  
APPLICABLE HOUSING : 501646 SERIES
3. 電線仕様  
CABLE SPEC.  
AWG : #26-28  
適用電線範囲 : 0.079~0.136mm<sup>2</sup>  
WIRE RANGE  
被覆外形 :  $\phi 0.85 \sim \phi 1.4$ mm  
INS. RANGE



SECTION B-B  
(SCALE:20-1)



SECTION C-C  
(SCALE:20-1)



501648-1100	パラ状 LOOSE
501648-1000	連続状 CHAIN
MATERIAL NO.	端子形状 FORM

RELEASED EC NO: J2006-1616 DRW: NITO CHK: ASAKAWA APPR: S. ICHIKAWA	GENERAL TOLERANCES (UNLESS SPECIFIED)		DIMENSION STYLE MM ONLY		SCALE 10:1	DESIGN UNITS METRIC	THIRD ANGLE PROJECTION	
	10 UNDER	± 0.2	DRAWN BY N. ITO	DATE '05/11/22	TITLE 2.0 W/B DUAL CONN DIP RCPT TERM -LEAD FREE-			
	10 OVER 30 UNDER	± 0.25	CHECKED BY ASAKAWA	DATE '05/11/22				
	30 OVER	± 0.3	APPROVED BY ICHIKAWA	DATE '05/11/22	MOLEX INCORPORATED			
	ANGULAR	± 1 °	MATERIAL NO. 501648-1*00	DOCUMENT NO. SD-501648-001				
DRAFT WHERE APPLICABLE MUST REMAIN WITHIN DIMENSIONS		THIS DRAWING CONTAINS INFORMATION THAT IS PROPRIETARY TO MOLEX INCORPORATED AND SHOULD NOT BE USED WITHOUT WRITTEN PERMISSION						