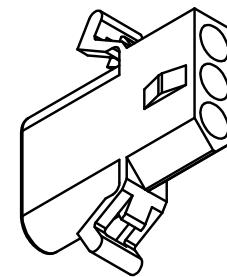
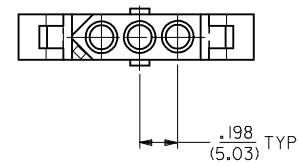
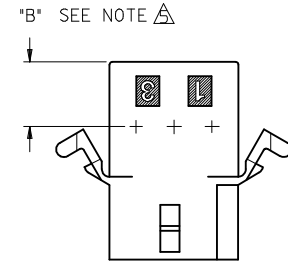
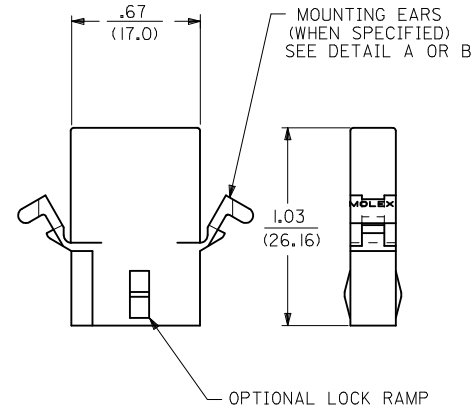
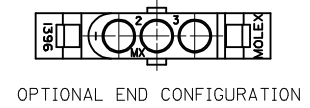
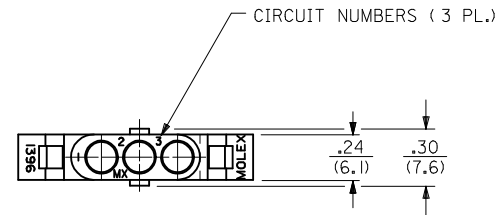


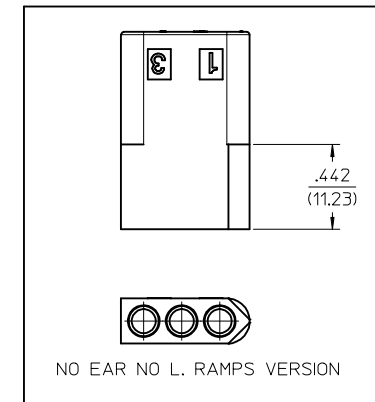
PLUG

SHOWN ABOVE WITH STANDARD MOUNTING EAR

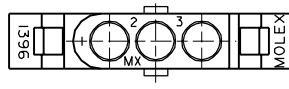
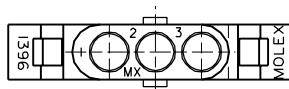


RECEPTACLE

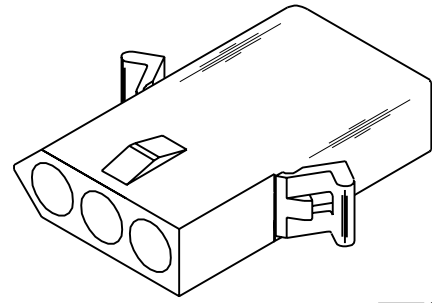
SHOWN WITH PREBENT EAR



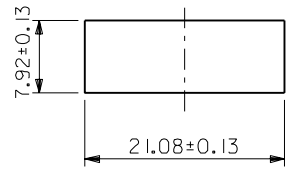
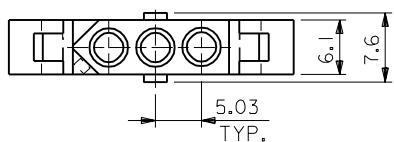
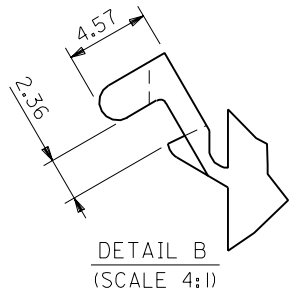
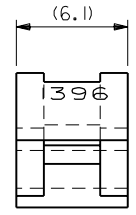
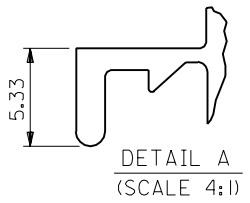
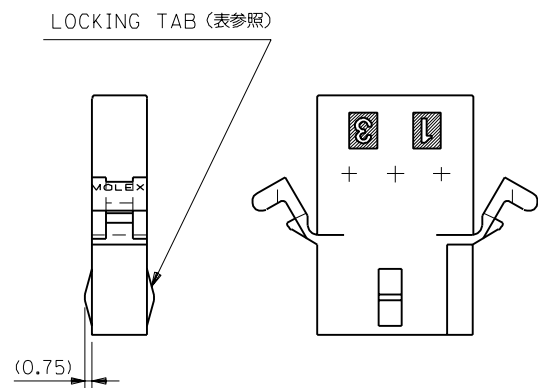
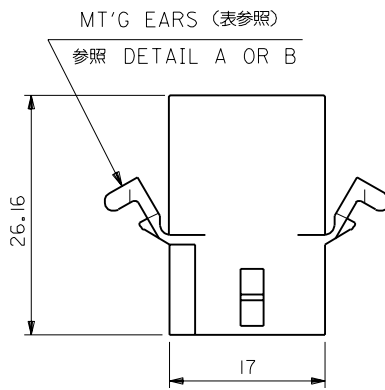
ADD VIEW (NO EAR V.) EC NO: UCP2014-2369 DRW: NAEHAG 2013/12/03 CHKD: JEBLL 2013/12/03 APPR: FSMITH 2013/12/05	QUALITY SYMBOLS ▽=0 ▽=0	GENERAL TOLERANCES (UNLESS SPECIFIED) <table border="1"> <tr> <th></th> <th>mm</th> <th>INCH</th> </tr> <tr> <td>4 PLACES</td> <td>± .10</td> <td>± .005</td> </tr> <tr> <td>3 PLACES</td> <td>± .10</td> <td>± .010</td> </tr> <tr> <td>2 PLACES</td> <td>± 0.25</td> <td>± .014</td> </tr> <tr> <td>1 PLACE</td> <td>± 0.35</td> <td>± .014</td> </tr> </table> ANGULAR ±1/2°		mm	INCH	4 PLACES	± .10	± .005	3 PLACES	± .10	± .010	2 PLACES	± 0.25	± .014	1 PLACE	± 0.35	± .014	DIMENSION STYLE IN/MM	SCALE 2:1	DESIGN UNITS INCH	THIRD ANGLE PROJECTION
				mm	INCH																
4 PLACES	± .10	± .005																			
3 PLACES	± .10	± .010																			
2 PLACES	± 0.25	± .014																			
1 PLACE	± 0.35	± .014																			
DRAWN BY JJS 1988/04/08	CHECKED BY RW 1988/04/08	APPROVED BY RAS 1988/04/08	MATERIAL NO. SEE CHART	DOCUMENT NO. SD-1396-*	SHEET NO. 1 OF 2	TITLE .093/(2.36) HOUSING PLUG AND RECEPTACLE 3 CIRCUIT .198 CENTERS															
MOLEX INCORPORATED																					
THIS DRAWING CONTAINS INFORMATION THAT IS PROPRIETARY TO MOLEX INCORPORATED AND SHOULD NOT BE USED WITHOUT WRITTEN PERMISSION																					



OPTIONAL END CONFIGURATION



RECEPTACLE



パネル取付穴寸法
(パネル厚 2.29最大)

I396R4	03-09-1081	有	WITH	有	WITH DETAIL B
I396R2	03-09-1033	無	WITHOUT	無	WITHOUT
I396R1	03-09-1032	有	WITH	無	WITHOUT
I396R	03-09-1031	有	WITH	有	WITH DETAIL A
ENG. NO.	EDP NO.	LOCKING TABS	MT'G EARS		

DO NOT SCALE DRAWING

EC NO. DRWN: CHK: APPR:	EC NO. DRWN: CHK: APPR:	EC NO. DRWN: CHK: APPR:	EC NO. DRWN: CHK: APPR:	RELEASED EC NO. JC2001-0078 DRWN: K.KOHAMA '00/08/28 CHK: T.YAMAGUCHI APPR: M.FUKUSHIMA
----------------------------------	----------------------------------	----------------------------------	----------------------------------	---

MATERIAL 材料	NYLON66 94V-2
FINISH 仕上り	
WIRE RANGE 適用線径範囲	
INS. RANGE 被覆径	

GENERAL TOLERANCES: (UNLESS SPECIFIED) 一般公差	SCALE 2 : 1	DESIGN UNITS <input checked="" type="checkbox"/> mm <input type="checkbox"/> INCH
10 UNDER 未満	+0.25 ±0.25	DRAWN BY & DATE K.KOHAMA '00/08/28
10 OVER 以上	+0.3 ±0.25	CHECKED BY & DATE T.YAMAGUCHI '00/08/28
30 OVER 以上	+0.35 ±0.3	APPROVED BY & DATE M.FUKUSHIMA '00/08/28
ANGLE 角度	+3°	CAD FILENAME I396001.S01

MODEL NO.	03-09-1***	DIMENSIONS:	SHT	REV
		<input type="checkbox"/> mm <input type="checkbox"/> INCH <input checked="" type="checkbox"/> mm ONLY		
THIRD ANGLE PROJECTION		REVISE ON CAD ONLY		
TITLE: 3 CIRCUITS RCPT HSG (0.093 DIA TERMINAL)				
MOLEX INCORPORATED				
MATERIAL NO.	DRAWING NO.	SHEET NO.	SIZE	
SEE NOTES	SD-1396-001	1 OF 1	B	

THIS DRAWING CONTAINS INFORMATION THAT IS PROPRIETARY TO MOLEX INCORPORATED AND SHOULD NOT BE USED WITHOUT WRITTEN PERMISSION.