

Product Data Sheet



143X123

Replace "X" with 1, 2 or 3 for number of poles

Power Splicer Block
255 Amps, 600 Volts (AC/DC)



Wire Range:

Line side: (1) 250 kcmil - #6 AWG

Load Side: (1) 250 kcmil - #6 AWG

Electrical Ratings:

- 255A Copper wire, 205A Aluminum wire (Based on NEC Table 310-16, 75°C columns)
- 600 Volts AC/DC (UL 1059 Class C, User Group - General Industrial)
- Factory and Field Wiring

Mechanical Ratings:

- Maximum insulator base temperature: 150°C (302°F) UL RTI
- Storage and transportation temperature range: -35°C to 125°C (-31°F to 257°F)
- Flammability rating of insulator base: UL 94 V-0
- * Use outside these ratings needs to be judged in the end-use application.

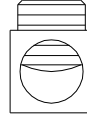
Materials:

- Connector: High conductive aluminum, tin plated
- Insulator base: phenolic
- Terminal set screws: Aluminum, tin plated
- Connector mounting screws: Steel, zinc plated

Agency Approvals:

- UL Recognized, UL 1059 Terminal Block Standard, File No. XCFR2.E62806
- CSA Certified, CSA C22.2 No. 158, File No. LR19766 (Wire Classes B & C only)
- CE compliant to IEC 60947-7-1
- RoHS Compliant

Wire Approvals:
Line and Load Side Wire Approvals:



		Copper Wire Stranding Classes - Number of Strands						
Wire Size	Torque	Solid	Class B	Class C	Class G	Class H	Class I	Class K
250 kcmil	275 in. lbs		37	61				
4/0	275 in. lbs		19	37	~ 133	~ 259		
3/0	275 in. lbs		19	37	~ 133	~ 259	~ 418	~ 1666
2/0	275 in. lbs		19	37	~ 133	~ 259	~ 342	~ 1323
1/0	275 in. lbs		19	37	~ 133	~ 259	~ 266	~ 1064
1	275 in. lbs		19	37	~ 133	~ 259	~ 210	~ 836
2	275 in. lbs		7	19	~ 49	~ 133	~ 161	~ 665
4	275 in. lbs		7	19				
6	275 in. lbs		7	19				

~Quantity of strands for Classes G, H, I, K may vary by manufacturer.

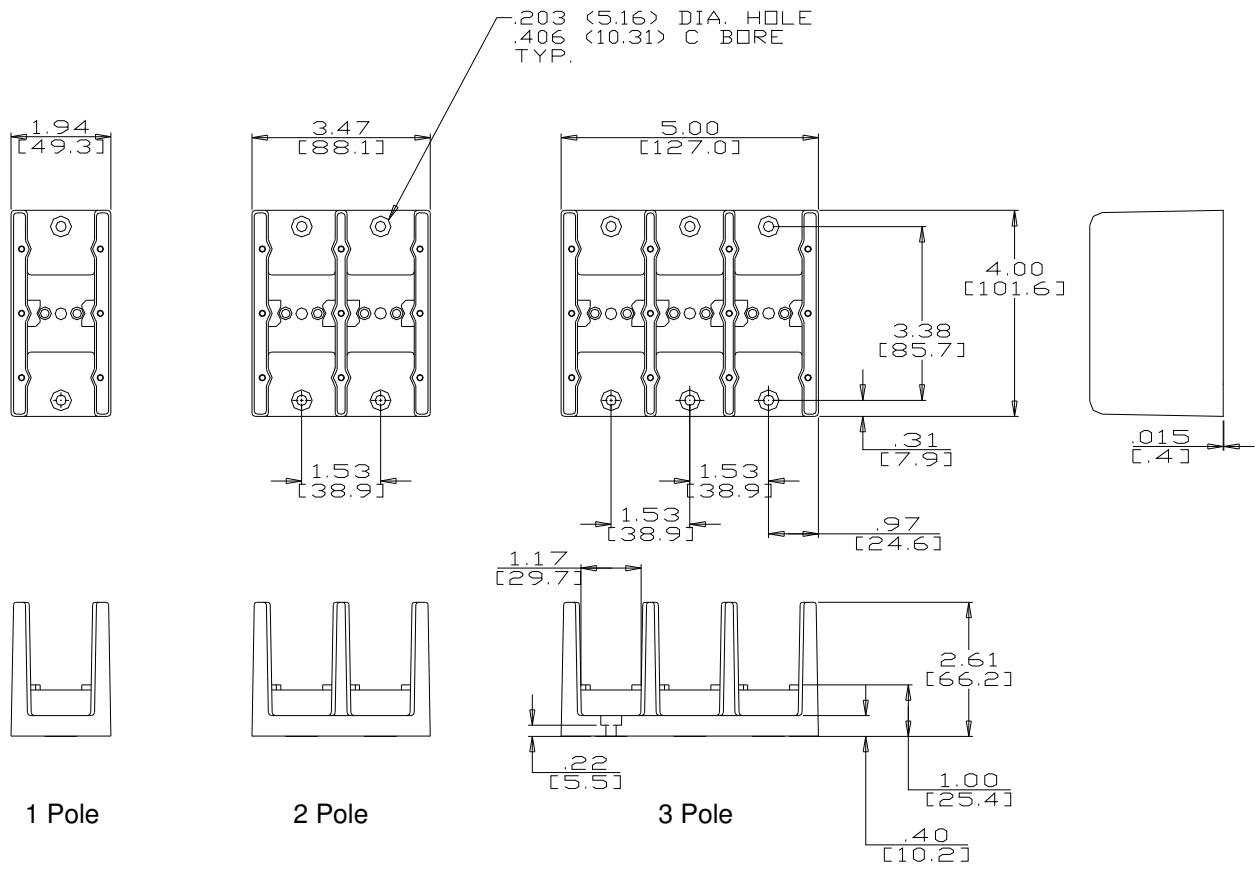
Aluminum stranded wire range: 250kcmil - #6 AWG

~Quantity of strands for Classes G, H, I, K may vary by manufacturer.

- Wire strip length, line and load side taps – 1 1/16”
- Hex key required: 5/16”
- Panel mountable: #10 fastener, torque to 25-30 in. lb.

Accessories:

- Cover: Clear protective plastic cover. Catalog description CC143X (“X” numbers of poles: 1,2 or 3)
- Marking strip: White vinyl strip to mark circuits. Supplied with mounting screws.
- Printing available. Consult factory.



WWW.MARATHONSP.COM
1-419-352-8441

PDS 0060 REV A 9/18/07