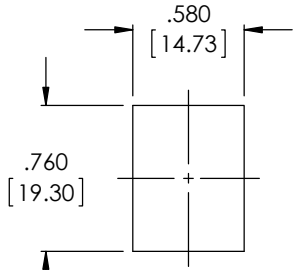
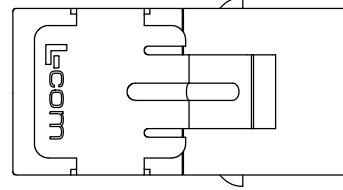


THE INFORMATION CONTAINED IN THIS DRAWING IS THE SOLE PROPERTY OF L-COM, INC. ANY REPRODUCTION IN PART OR WHOLE WITHOUT THE WRITTEN PERMISSION OF L-COM, INC. IS PROHIBITED.

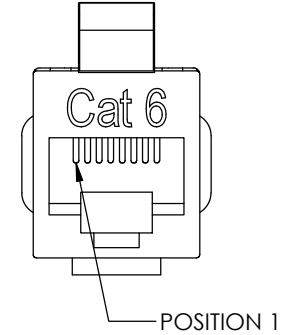
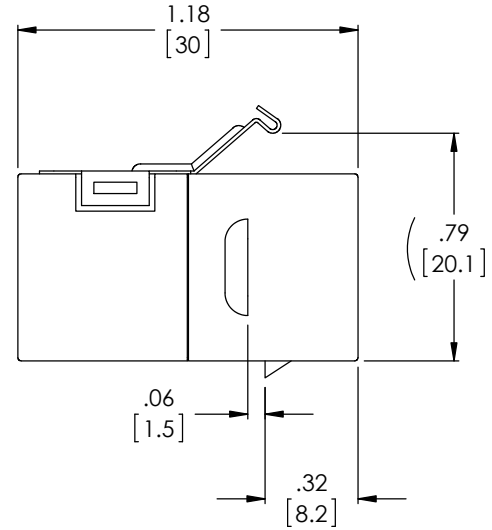
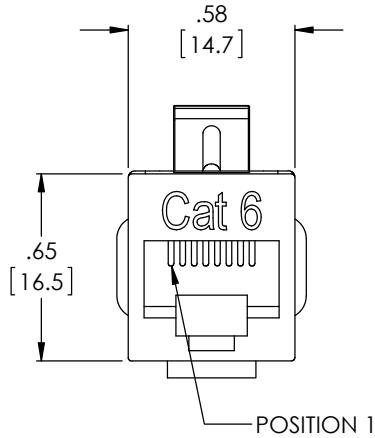
REVISIONS			
REV	DESCRIPTION	DATE	APPROVED
E	ECN 4609: ADDED COLOR BLACK TO ABS HOUSING	3/11/10	D.FRISIELLO
F	ECN 6168: ADDED NOTE 8 FOR PACKAGING	5/14/12	D.FRISIELLO
G	ECN 6881: REVISED PANEL CUTOUT, UPDATED MODEL/DIMENSIONS	6/14/13	D. DESJARDIN



RECOMMENDED PANEL OPENING



WIRING	
PIN 1	PIN 1
PIN 2	PIN 2
PIN 3	PIN 3
PIN 4	PIN 4
PIN 5	PIN 5
PIN 6	PIN 6
PIN 7	PIN 7
PIN 8	PIN 8
SHIELD	SHIELD



**NOTES:**

**MATERIAL:**  
 HOUSING: THERMOPLASTIC, UL94V-0, COLOR: BLACK.  
 CONTACTS: PHOSPHOR BRONZE  
 CONTACT PLATING: GOLD, 50 μ INCHES OVER NICKEL PLATE.  
 SHIELD: COPPER ALLOY WITH NICKEL PLATE.

**ELECTRICAL:**  
 CURRENT RATING: 1.5 AMP (MAX.)  
 VOLTAGE RATING: 150 VOLTS  
 INSULATION RESISTANCE: 500MΩ

**MISCELLANEOUS:**  
 RATING: CATEGORY 6  
 OPERATING TEMPERATURE RANGE: -10°C TO +60°C.

COMPONENT SHALL BE INDIVIDUALLY PACKAGED IN ACCORDANCE WITH L-COM SPECIFICATION PS-0031.

ALL DIMENSIONS ARE FOR REFERENCE ONLY.

**REGULATORY COMPLIANCE:**  
 ROHS, CE

UNLESS OTHERWISE SPECIFIED, DIMENSIONS ARE IN INCHES [mm] OVERALL CABLE LENGTH TOLERANCE: ≤12 [305] = +1 [25] / -0 >12 [305] ≤60 [1524] = +2 [51] / -0 >60 [1524] ≤120 [3048] = +4 [102] / -0 >120 [3048] ≤300 [7620] = +6 [152] / -0 >300 [7620] = +5% / -0%	APPROVALS	DATE		45 BEECHWOOD DRIVE NORTH ANDOVER, MA 01845
	DRAWN BY B.MAZEJKA	06/16/2003		
ALL OTHER DIMENSIONAL TOLERANCES: .X = ± .2 [5.08] .XX = ± .02 [1.51] .XXX = ±.005 [1.13]	CHECKED BY D.PARHAM	07/11/2003	CATEGORY TELECOM/MODULAR	
	APPROVED BY C.McCORMICK	07/11/2003	PRODUCT DESCRIPTION CAT 6 SHLD RJ45 KEYSTONE CPL	
PROJECTION 	CONFIGURATION DETAILS OF UNDIMENSIONED FEATURES MAY VARY	COLOR VARIATIONS MAY OCCUR	SIZE <b>A</b>	FSCM NO. <b>43321</b>
			DWG. NO. TDG1026KS-C6	REV. <b>G</b>
			SCALE: NONE	CAD FILE: TDG1026KS-C6.SLDDRW
				SHEET 1 OF 1