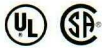


AC Switches

**30 Ampere, 600 Volts AC**

Industrial – Heavy Duty AC Manual Motor Controllers, Double and Three Pole (Without Overload Protection) and Enclosures

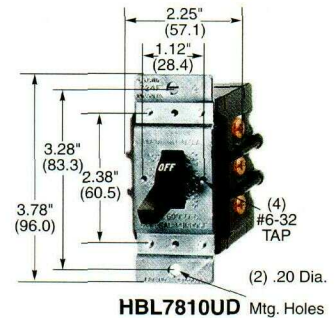
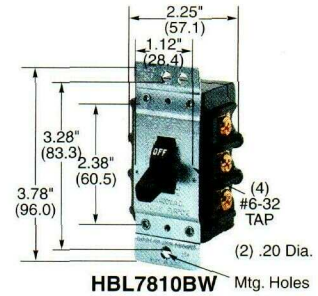


**30A 600V AC Manual Motor Controllers**

**Double Pole**

Description	Catalog Numbers
30A, double pole, single throw, AC manual motor controller, black nylon handle. Side wired.	<b>HBL7832</b>
30A, double pole, single throw, AC manual motor controller, black nylon handle. Back wired.	<b>HBL7832BW</b>
HBL7832BW in HBL1390 Type 1 enclosure with non-metallic cover, 1/2" and 3/4" knockouts on top, bottom and back of steel frame.	<b>HBL1392BW</b>
HBL7832BW in HBL1370 metal Type 1 enclosure.	<b>HBL1372BW</b>
HBL7832BW in HBL13R90 metal Type 3R enclosure.	<b>HBL13R92BW</b>

**IP44\***  
SUITABILITY



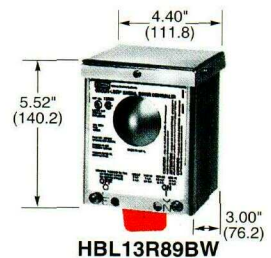
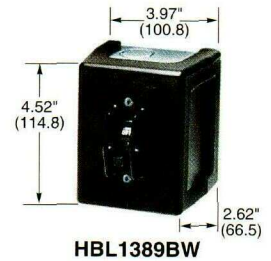
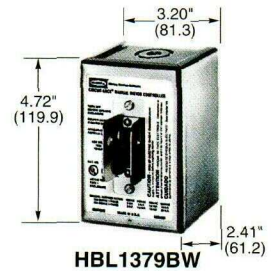
**Three Pole**

Description	Catalog Numbers
30A, three pole, single throw, AC manual motor controller, black nylon handle. Side wired.	<b>HBL7810UD</b>
30A, three pole, single throw, AC manual motor controller, black nylon handle. Back wired.	<b>HBL7810BW</b>
HBL7810BW in HBL1390 Type 1 enclosure with non-metallic cover, 1/2" and 3/4" knockouts on top, bottom and back of steel frame.	<b>HBL1389BW</b>
HBL7810BW in HBL1370 metal Type 1 enclosure.	<b>HBL1379BW</b>
HBL7810BW in HBL13R90 metal Type 3R enclosure.	<b>HBL13R89BW</b>

**Enclosures**

Description	Catalog Numbers
Type 1 enclosure for 30A switch with non metallic cover (without switch) with 1/2" and 3/4" knockouts on top, bottom and back of steel frame.	<b>HBL1390</b>
Type 1 enclosure for 30A switch with metallic cover (without switch) with 1/2" and 3/4" knockouts on top, bottom and back of steel frame.	<b>HBL1370</b>
Type 3R metal enclosure without switch.	<b>HBL13R90</b>

\* Enclosure rating.



**Motor Rating**

	120V AC	240V AC	480V AC	600V AC	Phase
30A Double Pole	2HP	5HP	10 HP	15HP	1
30A Three Pole	-	7 1/2HP	15HP	20HP	3

