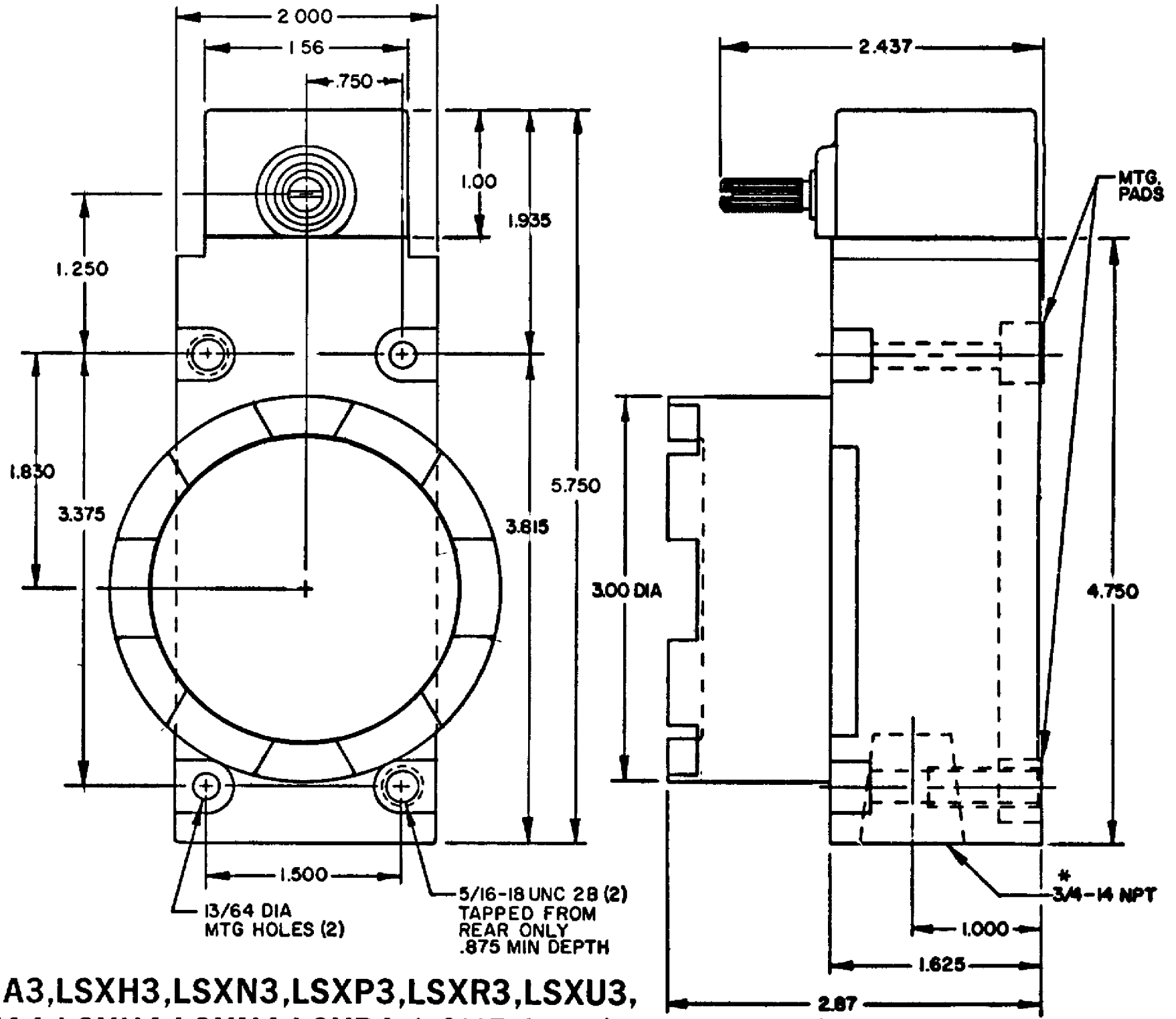
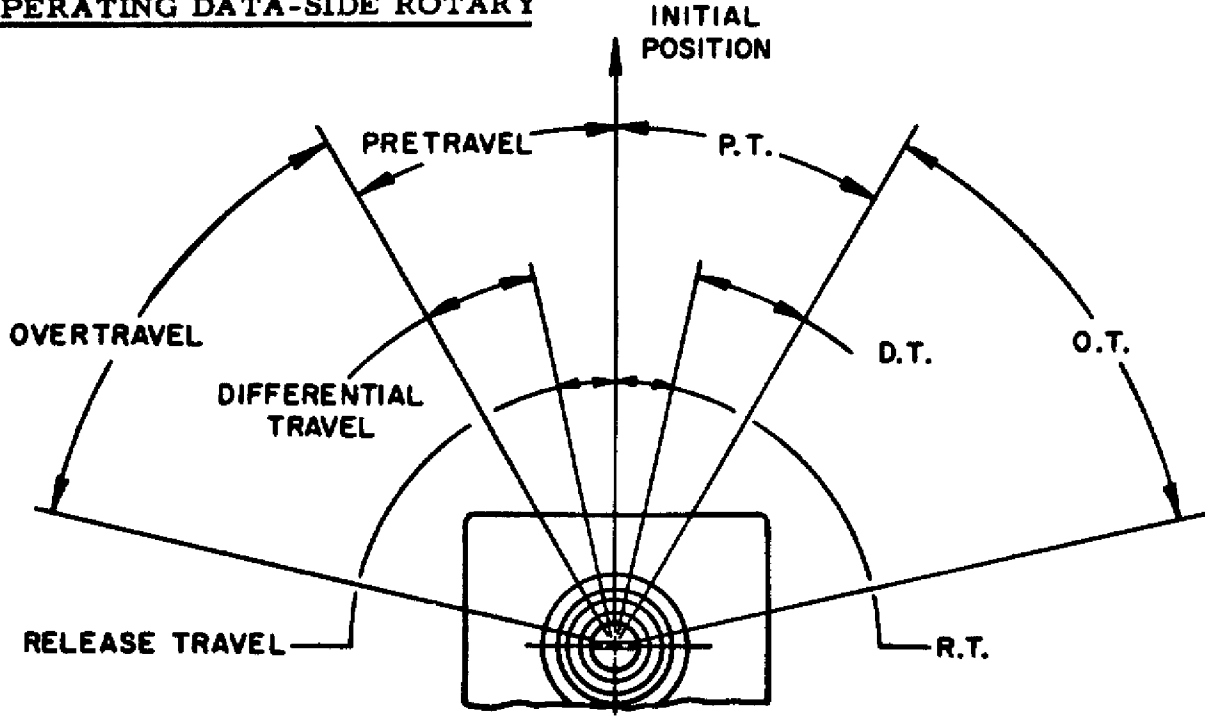


# SIDE ROTARY

NOTE  
 1 - EXPLOSION PROOF-UNDERWRITERS LAB INC. LISTED FOR HAZARDOUS LOCATIONS CLASS I, GROUPS B,C, AND D; CLASS II GROUPS E,F AND G

**OPERATING DATA-SIDE ROTARY**



TYPE LSXA3,LSXH3,LSXN3,LSXP3,LSXR3,LSXU3, LSXA4,LSXH4,LSXN4,LSXP4,LSXR4 and LSXM4 and LSXU4  
 \*(LSXA3,LSXH3,LSXN3 LSXP3,LSXR3 and LSXU3 HAVE 1/2-14 NPT CONDUIT OPENINGS)

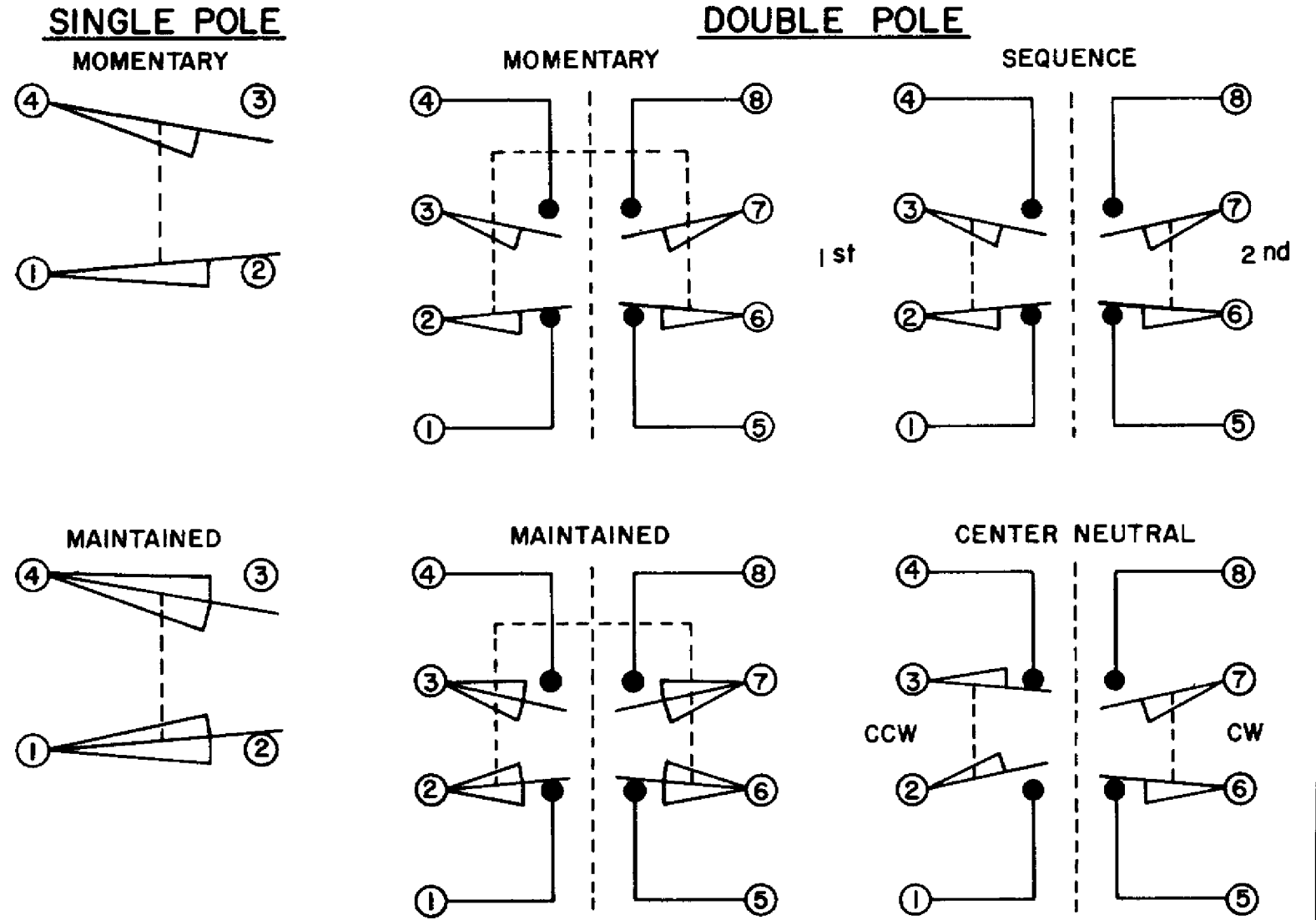
**ELECTRICAL RATINGS**

10 AMP CONT.

A.C. VOLTAGE	AMPS AT .35 POWER FACTOR			
	SINGLE POLE		DOUBLE POLE	
	MAKE	BREAK	MAKE	BREAK
120	60	6	30	3
240	30	3	15	1.5
480	15	1.5	7.5	.75
600	12	1.2	6	.6

D.C. VOLTAGE	MAKE & BREAK INDUCTIVE	RESISTIVE
120	0.25	0.80
240	0.15	0.40

WIRING BASIC SWITCH (SAME POLARITY MUST BE OBSERVED)



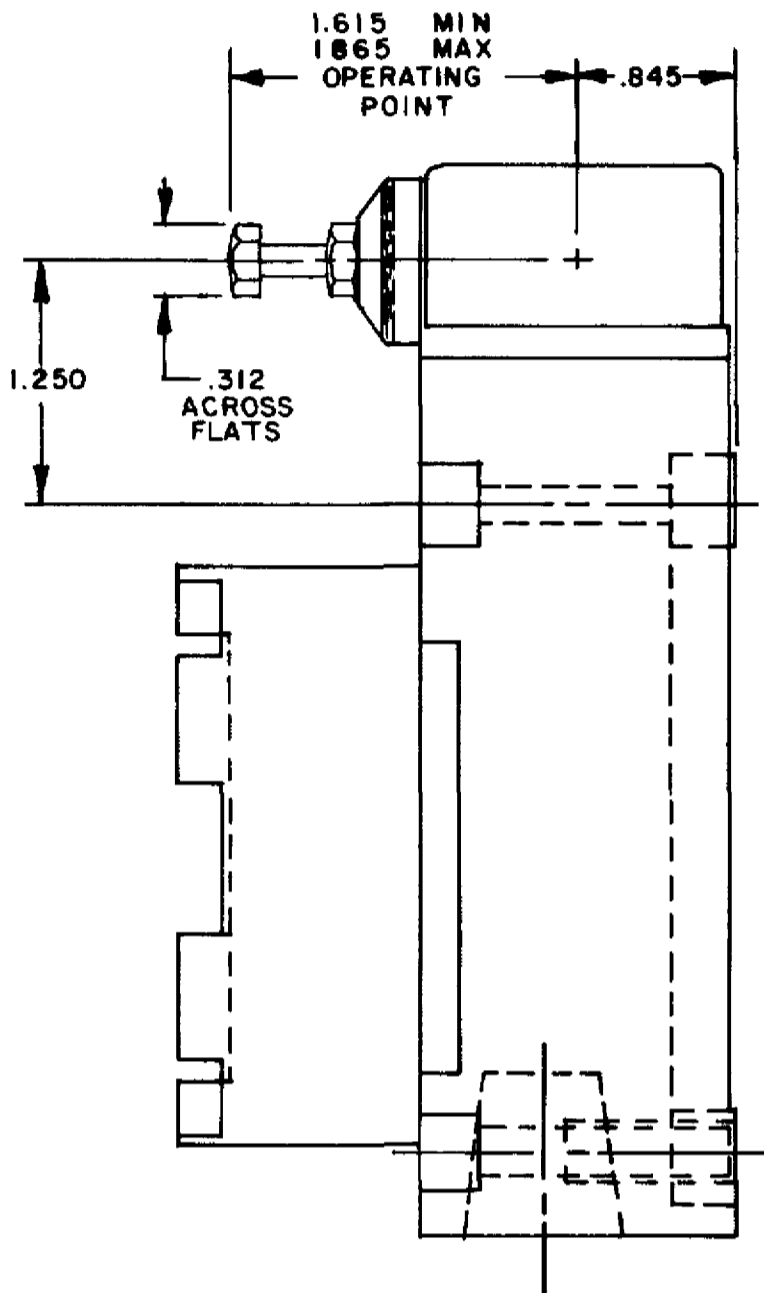
OPERATING CHARACTERISTICS	LSXA MOMENTARY		LSXR MOMENTARY LOW TORQUE		LSXN MAINTAINED	LSXP MOMENTARY LOW PRETRAVEL AND DIFF. TRAVEL		LSXH MOMENTARY LOW PRETRAVEL AND LOW TORQUE		LSXL SEQUENCE DOUBLE POLE ONLY	LSXM CENTRAL NEUTRAL DOUBLE POLE ONLY	LSXU LOW PRETRAVEL	
	Single Pole	Double Pole	Single Pole	Double Pole		Single Pole	Double Pole	Single Pole	Double Pole			Single Pole	Double Pole
PRETRAVEL (MAX)	15°	15°	15°	15°	65°	9°	9°	9°	9°	1st Step 15° 2nd Step 10° Additional	18°	5°	
OVERTRAVEL (MIN)	60°	60°	60°	60°	20°	68°	68°	68°	68°	48°	57°	70°	
DIFFERENTIAL TRAVEL (MAX)	5°	7°	5°	7°	40°	3°	4°	3°	4°	5°	10°	5°	4°
TOTAL TRAVEL (REF)	75°	75°	75°	75°	90°	75°	75°	75°	75°	75°	75°	75°	
OPERATING TORQUE (MAX)	4 IN. LBS	1.7 IN. LBS	4 IN. LBS	1.7 IN. LBS	4 IN. LBS	4 IN. LBS	1.7 IN. LBS	4 IN. LBS	1.7 IN. LBS	4 IN. -LBS	4 IN. -LBS.	4 IN. LBS	
FULL TRAVEL TORQUE (MAX)	4 IN. LBS	1.7 IN. LBS	—	—	—	4 IN. LBS	1.7 IN. LBS	4 IN. LBS	1.7 IN. LBS	4 IN. -LBS	4 IN. -LBS	4 IN. LBS	

MICRO SWITCH a Honeywell Division  
 SWITCH - ENCLOSED  
 LSX SERIES CHART 1  
 THIS DRAWING COVERS A PROPRIETARY ITEM AND IS THE PROPERTY OF MICRO SWITCH, A DIVISION OF HONEYWELL. THIS DRAWING IS NOT TO BE COPIED OR USED WITHOUT THE APPROVAL OF MICRO SWITCH.  
 CATALOG LISTING  
 ONE PLACE (0) 1.020  
 TWO PLACES (00) 1.015  
 THREE PLACES (000) 1.005  
 ANGLES  
 DO NOT SCALE PRINT  
 UNLESS OTHERWISE SPECIFIED  
 TOLERANCES ARE  
 THIRD ANGLE PROJECTION  
 SCALE  
 PAGE 1 OF 3

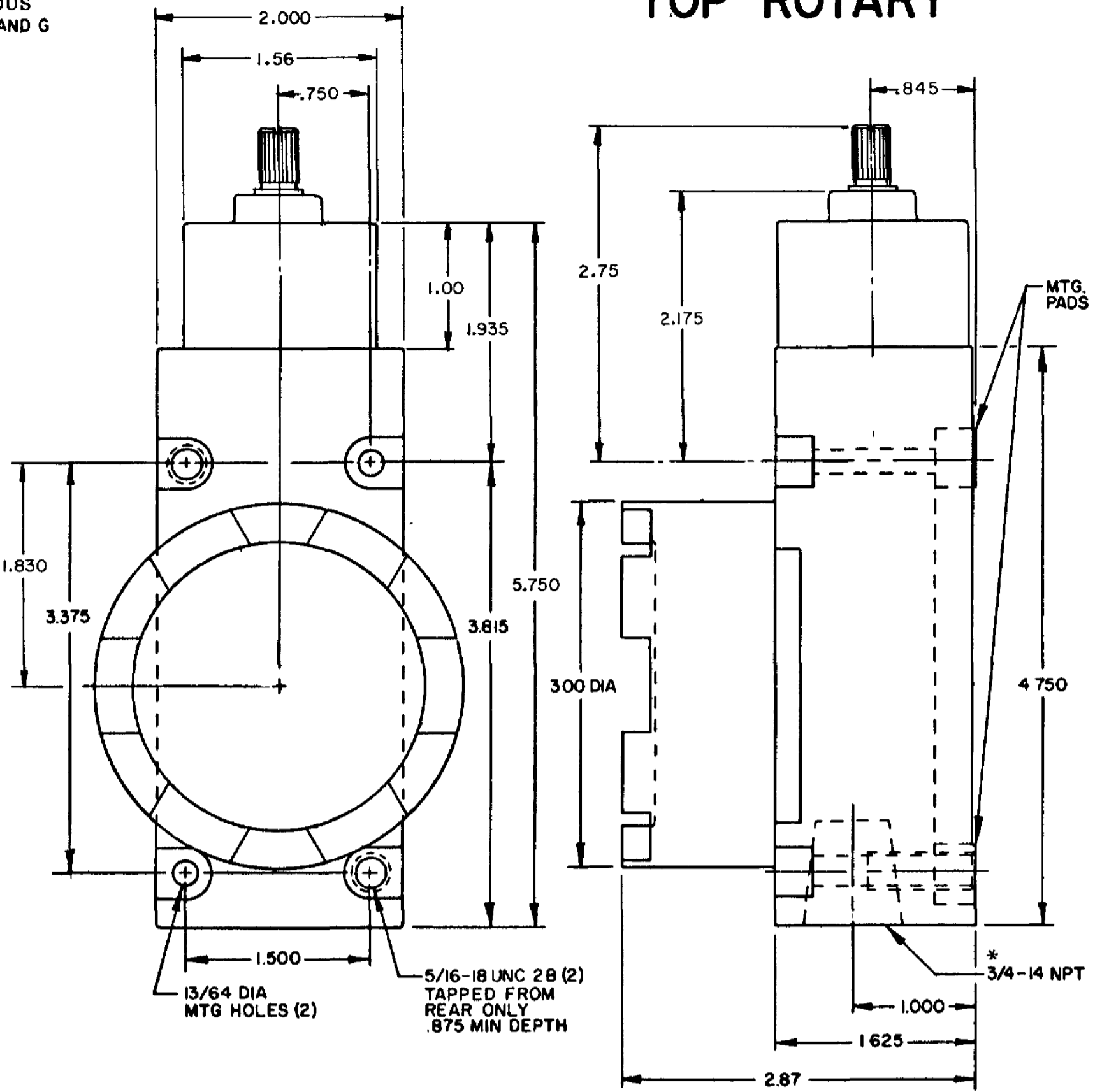
**M** LSX SERIES CHART 1 PAGE 1 OF 3

NOTE  
 1 - EXPLOSION PROOF-UNDERWRITERS LAB INC. LISTED FOR HAZARDOUS LOCATIONS CLASS I, GROUPS B,C, AND D; CLASS II GROUPS E,F AND G

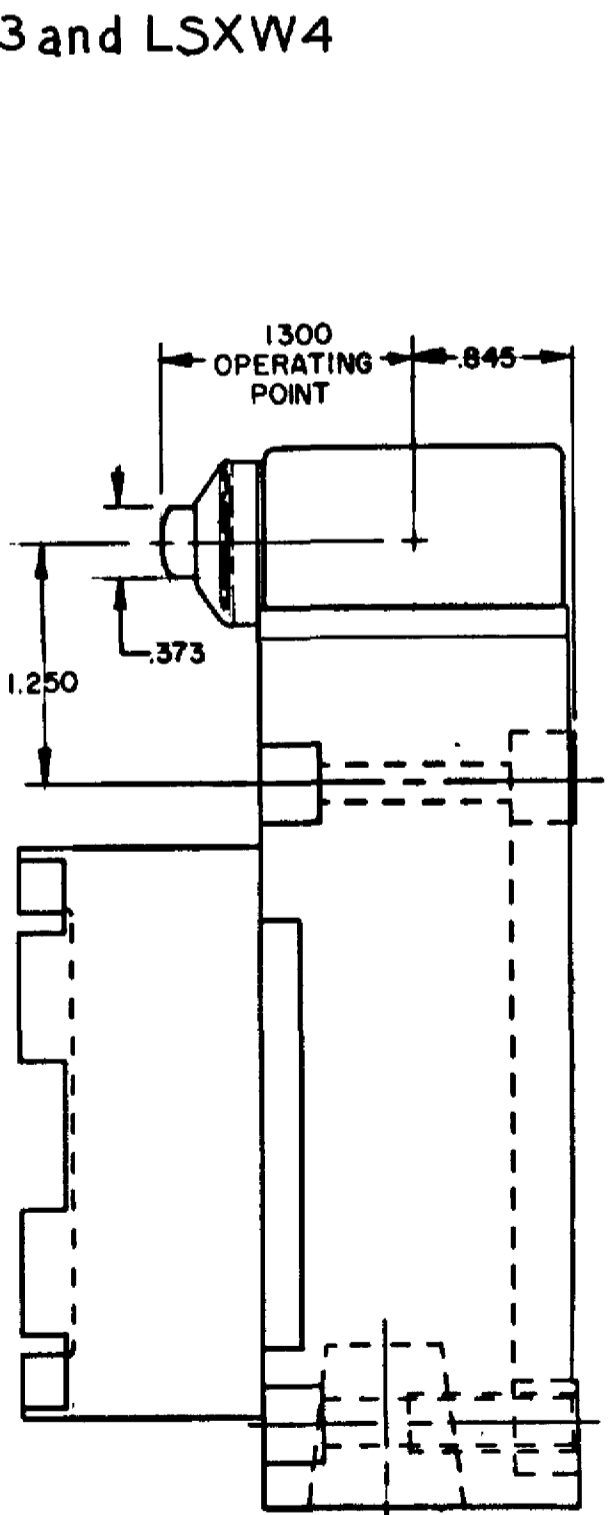
	SINGLE POLE	DOUBLE POLE
PRETRAVEL MAX	35°	35°
OVERTRAVEL MIN	100°	100°
DIFFERENTIAL TRAVEL MAX	8°	12°
OPERATING TORQUE MAX	2.5 IN. LBS.	2.5 IN. LBS.
TOTAL TRAVEL (REF)	135°	135°



TYPE LSXB3 and LSXB4 (LSXB3 HAS A 1/2-14 NPT CONDUIT OPENING)

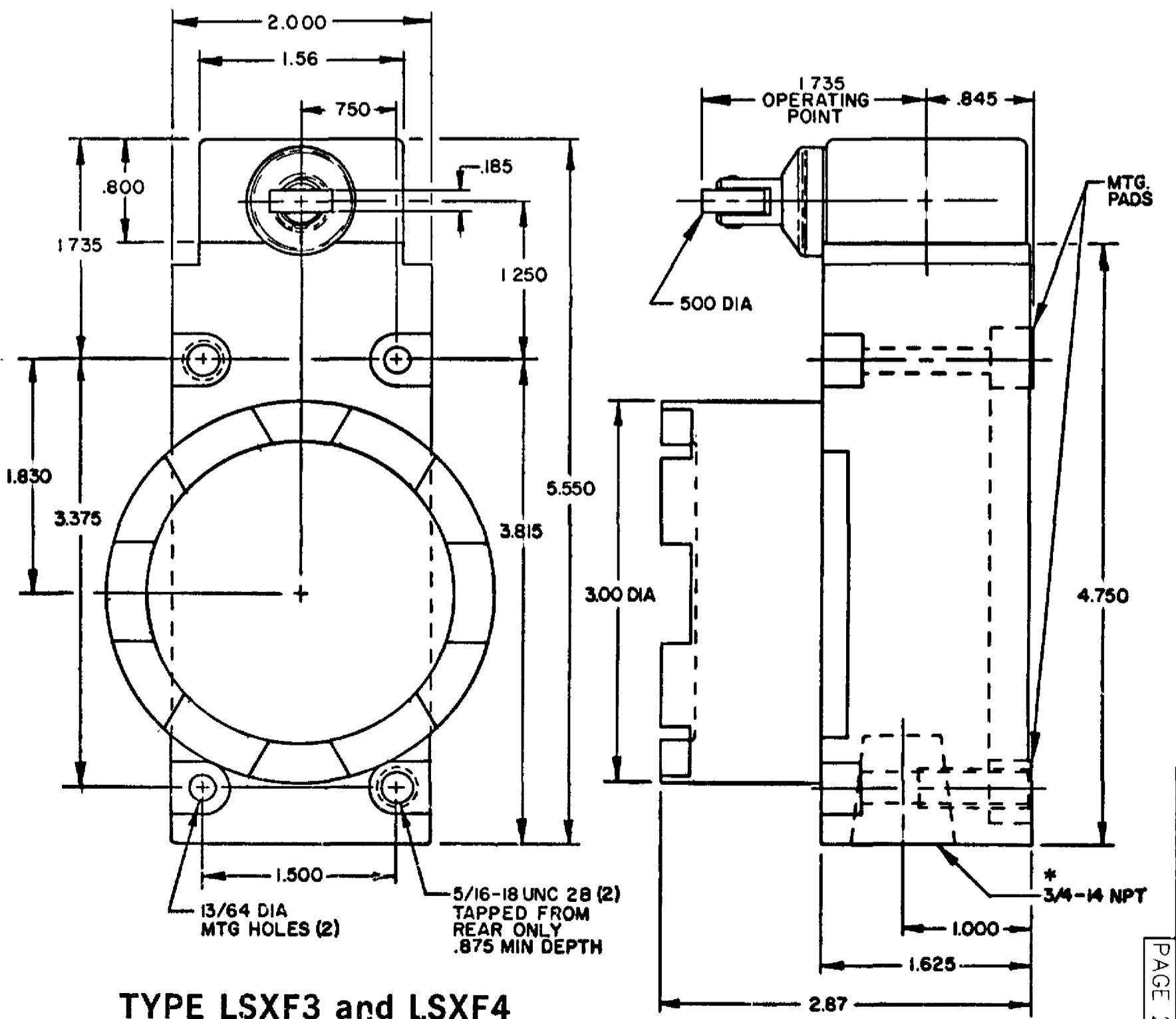


TYPE LSXB3 and LSXB4 (LSXB3 HAS A 1/2-14 NPT CONDUIT OPENING)



TYPE LSXB3 and LSXB4

SIDE PLUNGER TYPE



TYPE LSXB3 and LSXB4

\*(LSXB3 and LSXB4 HAVE 1/2-14 NPT CONDUIT OPENINGS)

MICRO SWITCH  
 a Honeywell Division  
 FED. MFG. CODE 81828

SWITCH - ENCLOSED

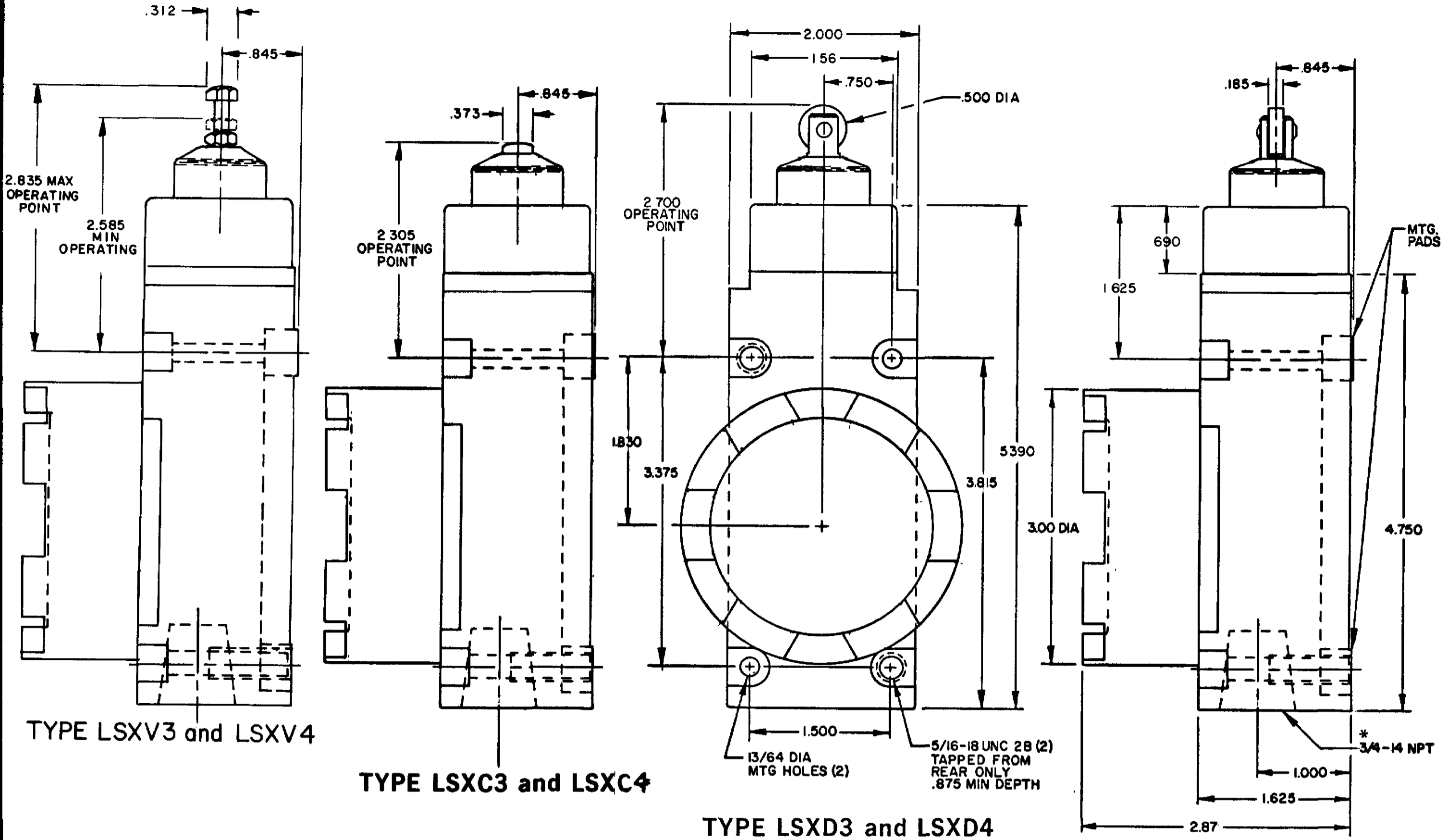
LSX SERIES  
 CHART 1

THIS DRAWING COVERS A PROPRIETARY ITEM AND IS THE PROPERTY OF MICRO SWITCH, A DIVISION OF HONEYWELL. THIS DRAWING IS NOT TO BE COPIED OR USED WITHOUT THE APPROVAL OF MICRO SWITCH.

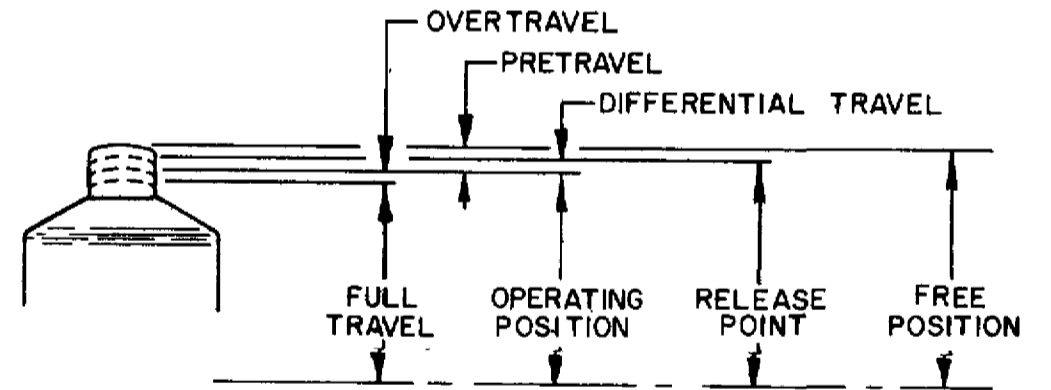
PAGE 2 OF 3

WEIGHT	
DESIGN UNITS	INCHES
SCALE	AS SHOWN
TOLERANCES	AS SHOWN
APPLY TO DIMENSIONS UNLESS OTHERWISE SPECIFIED	
FINISH	AS SHOWN
THREADS	AS SHOWN
KEYWAYS	AS SHOWN
KEYS	AS SHOWN
KEY FIT	AS SHOWN
KEYWAY FIT	AS SHOWN
KEYWAY WIDTH	AS SHOWN
KEYWAY DEPTH	AS SHOWN
KEYWAY RADIUS	AS SHOWN
KEYWAY CHAMFER	AS SHOWN
KEYWAY CHAMFER RADIUS	AS SHOWN
KEYWAY CHAMFER ANGLE	AS SHOWN
KEYWAY CHAMFER DEPTH	AS SHOWN
KEYWAY CHAMFER RADIUS	AS SHOWN
KEYWAY CHAMFER ANGLE	AS SHOWN
KEYWAY CHAMFER DEPTH	AS SHOWN

PLUNGER TYPE TOP



\*(LSXC3 and LSXD3 HAVE 1/2-14 NPT CONDUIT OPENINGS)



MICRO SWITCH  
 a Honeywell Division  
 FED. REG. CODE 91828

SWITCH - ENCLOSED  
 PAGE 3 OF 3

LSX SERIES  
 CHART 1

OPERATING POINT GIVEN IN RELATION TO TOP MOUNTING HOLES

TOP PLUNGER TYPES

CHARACTERISTICS	LSXC PLUNGER		LSXD ROLLER PLUNGER		LSXV ADJUSTABLE PLUNGER		SEQUENCE BASIC		
	SINGLE POLE	DOUBLE POLE	SINGLE POLE	DOUBLE POLE	SINGLE POLE	DOUBLE POLE	LSXC	LSXD	LSXV
PRETRAVEL (MAX)	.070		.070		.070		1ST STEP .070		
DIFFERENTIAL TRAVEL (MAX)	.015	.020	.015	.020			2ND STEP .016 MIN ADD'L		
OVERTRAVEL (MIN)	.190		.190		.190		.170		
OPERATING FORCE (MAX)	4 LBS		4 LBS		4 LBS		4 LBS		
OPERATING POINT	2.305 ± .030		2.700 ± .040		2.585 MIN 2.835 MAX		1ST STEP		
FULL OVERTRAVEL FORCE (MAX)	7 LBS		7 LBS		7 LBS		1.815±.030   2.210±.040   2.095 MIN / 2.345 MAX		

OPERATING POINT GIVEN IN RELATION TO CENTER OF HEAD

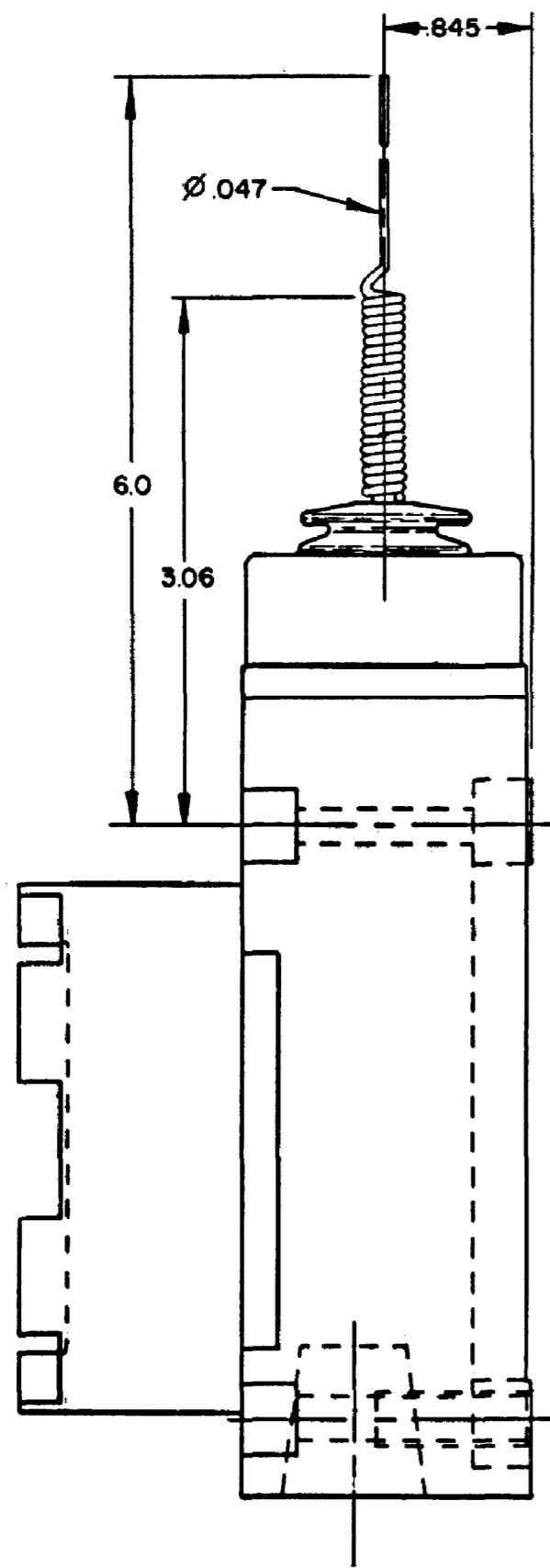
SIDE PLUNGER TYPES

CHARACTERISTICS	LSXE PLUNGER	LSXF ROLLER PLUNGER	LSXW ADJUSTABLE PLUNGER	SEQUENCE BASIC		
				LSXE	LSXF	LSXW
PRETRAVEL (MAX)	.100	.100	.100	1ST STEP .100		
DIFFERENTIAL TRAVEL (MAX)	.045	.045	.045	2ND STEP .020 MIN ADD'L		
OVERTRAVEL (MIN)	.190	.190	.190	.170		
OPERATING FORCE (MAX)	6 LBS	6 LBS	6 LBS	6 LBS		
OPERATING POINT	1.300 ± .030	1.735 ± .040	1.615 MIN 1.865 MAX	1ST STEP		
FULL OVERTRAVEL FORCE (MAX)	6 LBS	6 LBS	6 LBS	1.310±.030   1.745±.040   1.625 MIN / 1.875 MAX		

NOTE  
 1 - EXPLOSION PROOF-UNDERWRITERS LAB INC. LISTED FOR HAZARDOUS LOCATIONS CLASS I, GROUPS B,C, AND D; CLASS II GROUPS E,F AND G

DESIGN UNITS: INCHES  
 DIMENSIONS: INCHES  
 TOLERANCES: .0005 INCHES  
 SURFACE FINISH: 32 RMS  
 MATERIAL: 304 STAINLESS STEEL  
 WEIGHT: 0.10 LBS  
 SCALE: 1:1  
 THIRD ANGLE PROJECTION  
 DO NOT SCALE PRINT  
 REFERENCE: UNDERWRITERS LAB INC. LISTED FOR HAZARDOUS LOCATIONS CLASS I, GROUPS B,C, AND D; CLASS II GROUPS E,F AND G

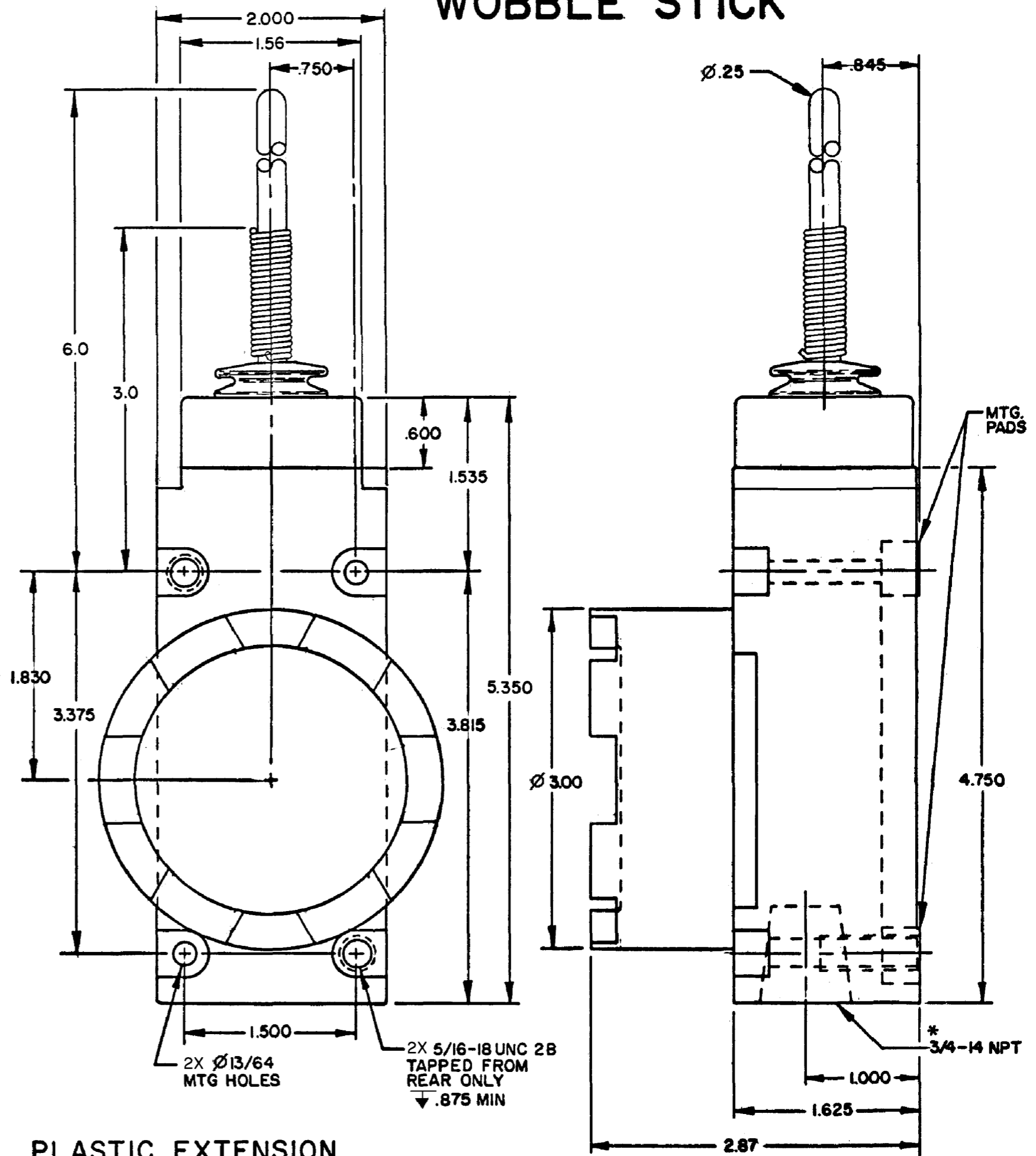
### CAT WHISKER



**WIRE EXTENSION  
 TYPE 8A ACTUATOR**

**TYPE LSXK3 and LSXK4  
 (LSXK3 HAS 1/2-14 NPT CONDUIT OPENING)  
 REPLACEMENT ACTUATOR  
 LSXZ-4012**

### WOBBLE STICK



**PLASTIC EXTENSION  
 TYPE 7A ACTUATOR**

**TYPE LSXJ3 and LSXJ4  
 (LSXJ3 HAS 1/2-14 NPT CONDUIT OPENING)**

**REPLACEMENT ACTUATOR  
 LSZ-4009**

**NOTE**  
 1 - EXPLOSION PROOF-UNDERWRITERS LAB INC. LISTED FOR HAZARDOUS LOCATIONS CLASS I, GROUPS B,C, AND D; CLASS II GROUPS E,F AND G

	CAT WHISKER	WOBBLE STICK
PRETRAVEL (APPROX)	6" WIRE	ROD
IN. RADIUS	2	1.0
OPERATING FORCE - OZ (MAX)	5.0	10.0

MASTER REDUCED

**MICRO SWITCH**  
 a Honeywell Division  
 FED. REG. CODE 91929  
 THIS DRAWING COVERS A PROPRIETARY ITEM AND IS THE PROPERTY OF MICRO SWITCH, A DIVISION OF HONEYWELL. THIS DRAWING IS NOT TO BE COPIED OR USED WITHOUT THE APPROVAL OF MICRO SWITCH.  
**SWITCH - ENCLOSED**  
 CATALOG LISTING  
**LSX SERIES CHART 1**

THIRD ANGLE PROJECTION  
 SCALE NONE  
 DO NOT SCALE PRINT  
 UNLESS OTHERWISE SPECIFIED  
 ONE PLACE (0) ±.030  
 TWO PLACES (00) ±.015  
 THREE PLACES (000) ±.005  
 ANGLES ±