

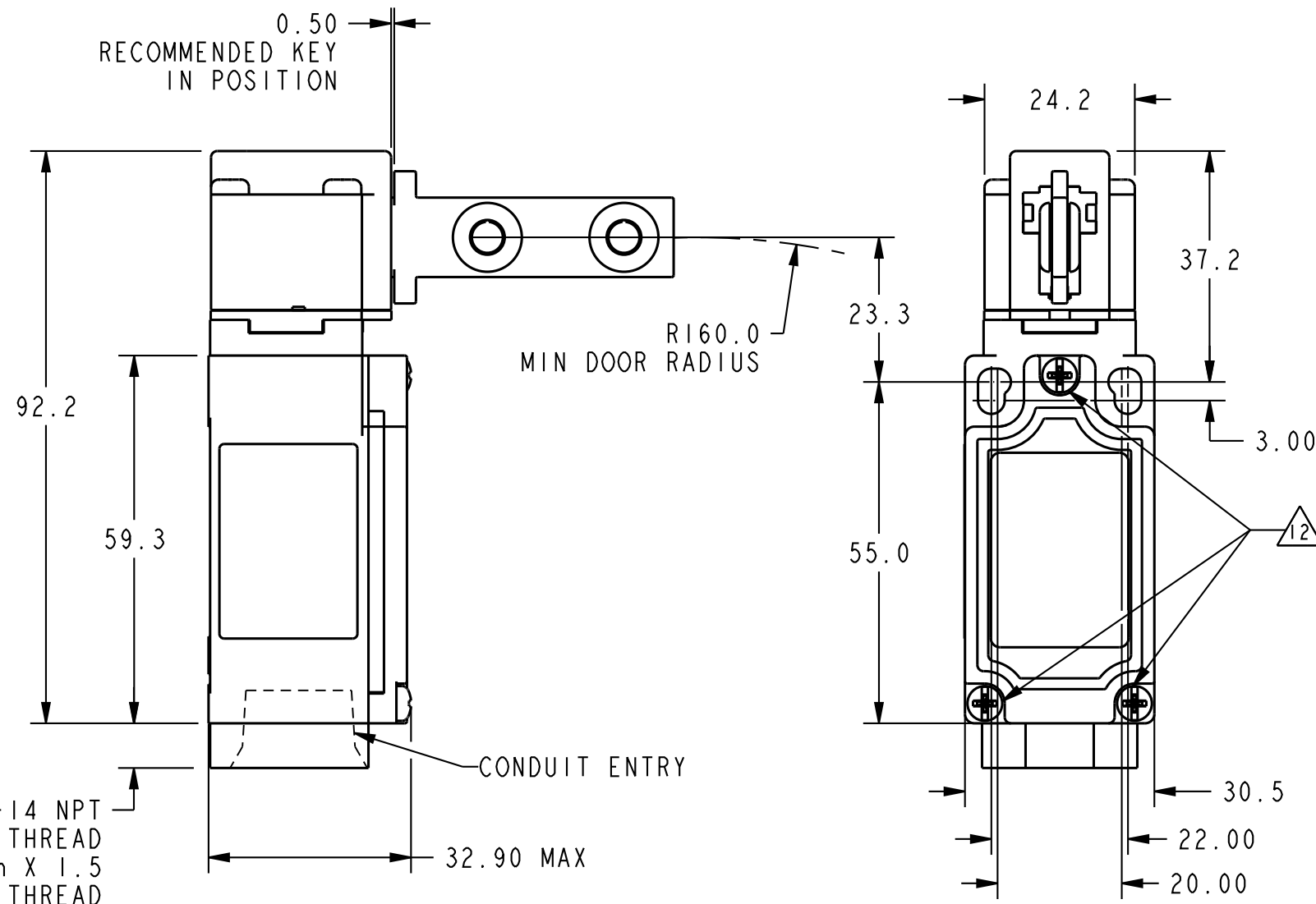
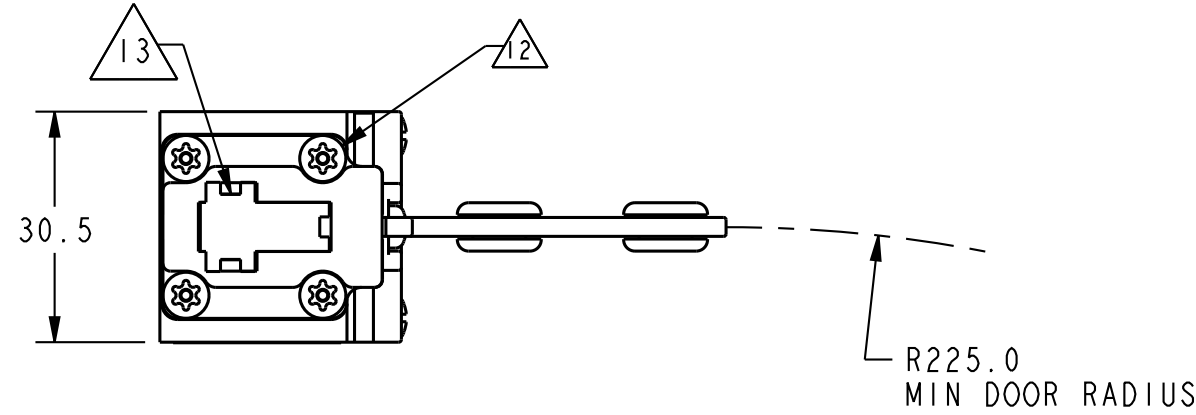
HONEYWELL
PART NUMBER
GKE SERIES CHART 1

GKE

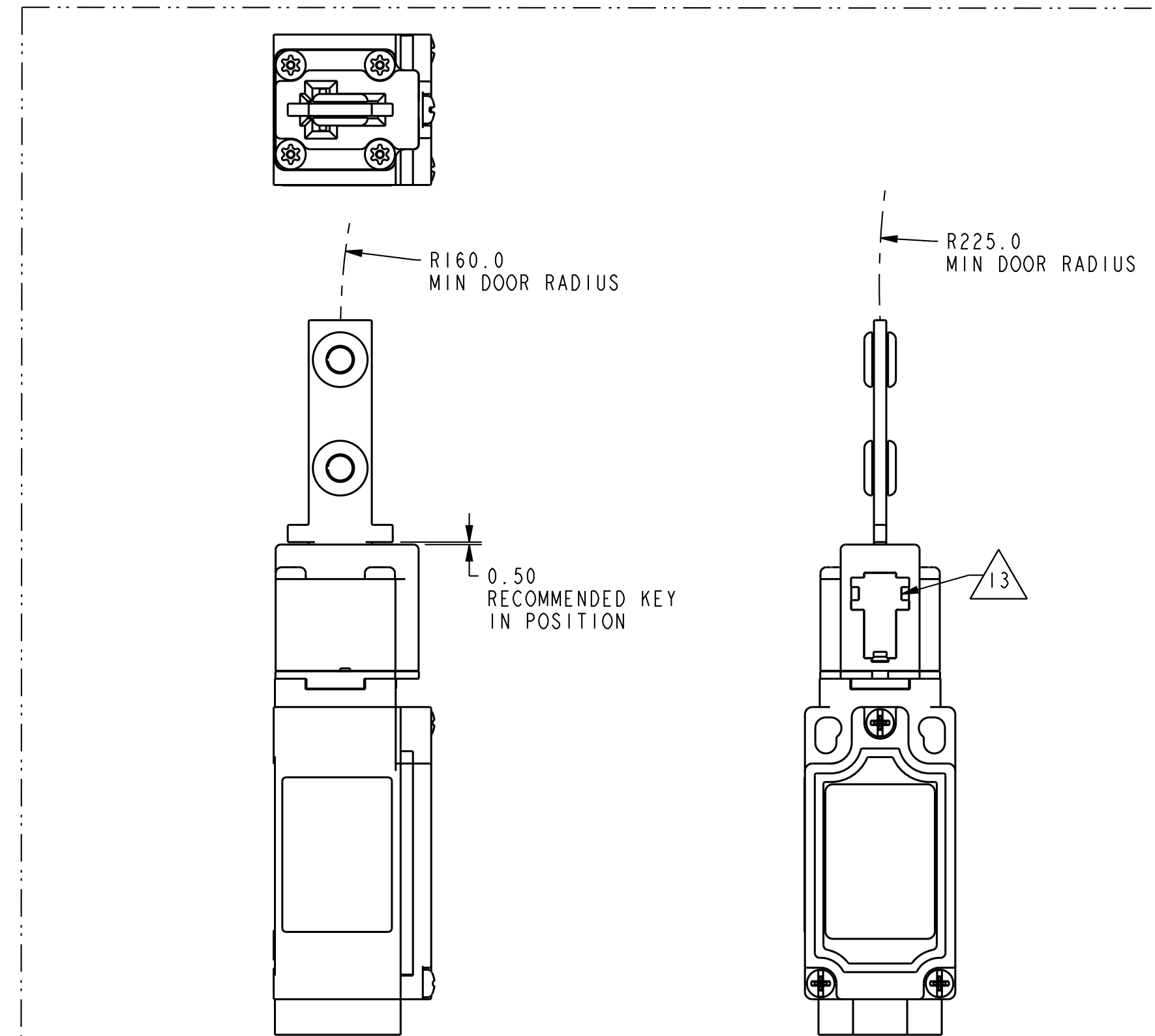
REV	DOCUMENT	CHANGED BY	CHECK
F	0094575	SBH 09OCT12	CMH

- NOTES:
- 1 - THERMOPLASTIC BODY AND HEAD
 - 2 - MINIMUM OPERATING VELOCITY (V_{min}) = 2 mm/S
MAXIMUM OPERATING VELOCITY (V_{max}) = 200 mm/S
MAXIMUM OPERATING FREQUENCY (F_{max}) = 100 OPS/MIN
 - 3 - INSERTION FORCE = 7N NOM
EXTRACTION FORCE = 15N NOM
DISCONNECT FORCE = 25N MAX
 - 4 - SNAP ACTION N.C. CONTACTS: POSITIVE OPENING
SLOW MAKE AND BREAK N.C. CONTACTS: DIRECT ACTING
 - 5 - WHEN KEY IS INSERTED: N.C. TERMINALS ARE 11/12 AND/OR 21/22
N.O. TERMINALS ARE 13/14
- △6 - SEE BASIC SWITCH COLUMN FOR VOLTAGE RATING
- △7 - T-15 TAMPER PROOF TORX DRIVER BIT GKZT15BIT MAY BE PURCHASED SEPARATELY FOR USE IN REORIENTING OPERATING HEAD, SEE INSTALLATION INSTRUCTIONS
- △8 - SWITCH MUST OPERATE BEFORE REACHING MINIMUM INSERTION DISTANCE
- △9 - KEY ACTUATOR NOT SUPPLIED WITH PRODUCT, ACTUATOR MUST BE PURCHASED SEPARATELY
- △10 - RECOMMENDED TIGHTENING TORQUE FOR MOUNTING SCREW : 1 - 1.4 Nm
- △11 - ENCLOSURE DOUBLE INSULATED TO IEC 536 CLASS II
- △12 - MAXIMUM TIGHTENING TORQUE FOR FIXING COVER AND HEAD ASSEMBLY SCREWS-0.339 Nm
- △13 - INSTALL DUST COVER, PROVIDED UNASSEMBLED WITH SWITCH, IN UNUSED KEY ENTRY WINDOW

CONDUIT CODE		BASIC SWITCH CODE △6		HEAD ORIENTATION CODE	
CODE		CODE		CODE	
A	1/2 NPT	01	SNAP ACTION INC - INO, A600	L	OPENING TO FRONT AND TOP
C	20 MM	03	SLOW ACTING INC - INO BBM, A600	M	OPENING TO RIGHT AND TOP
		06	SLOW ACTING 2NC, A300	N	OPENING TO BACK AND TOP
				P	OPENING TO LEFT AND TOP



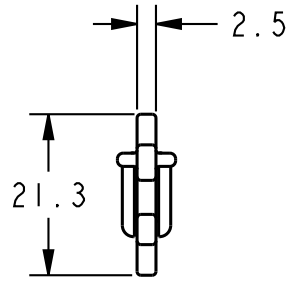
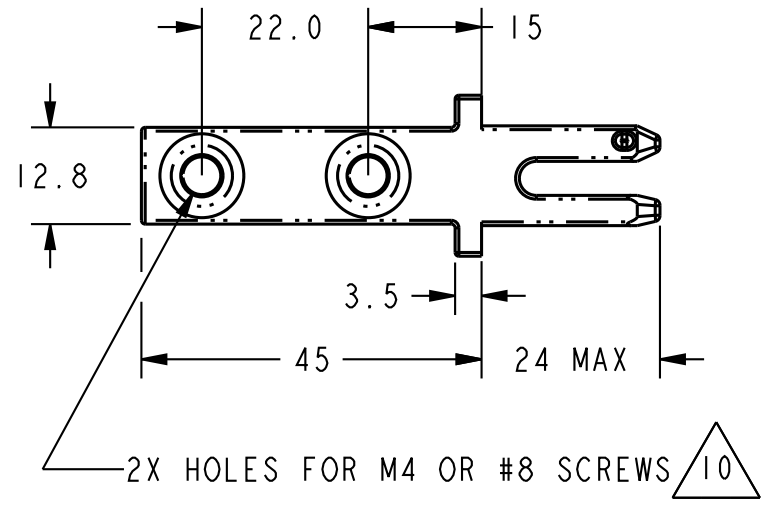
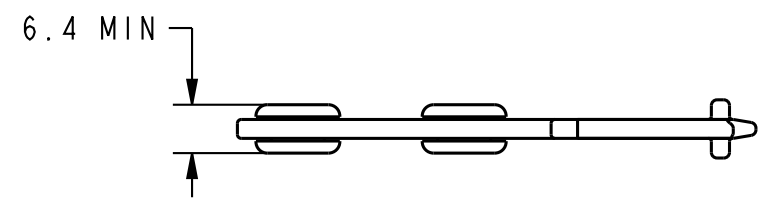
FRONT ENTRY



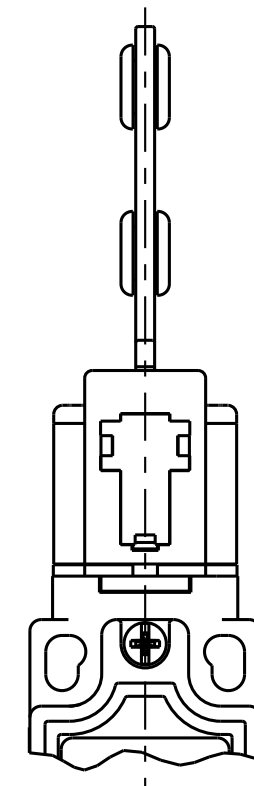
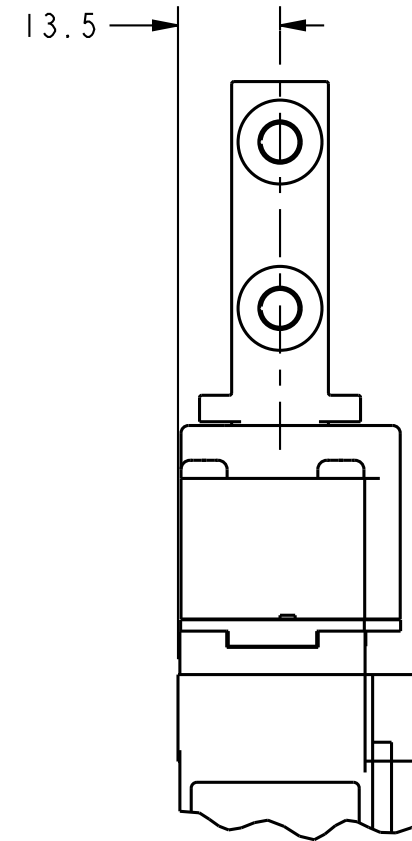
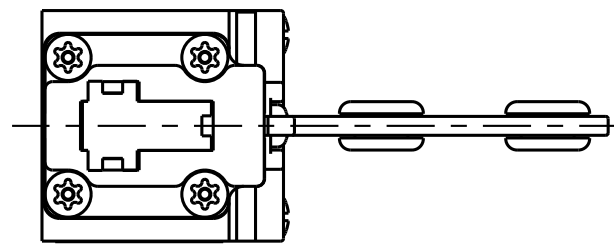
TOP ENTRY

ELECTRICAL RATING				ENVIRONMENTAL		APPROVALS	
AC		DC		IP66/IP67, NEMA 1,4X(INDOOR USE ONLY),12,13		IEC 60947-5-1 EN50047	
A300/A600 $U_e/\sqrt{6}$	AC15 I_e	Q300 U_e	DC13 I_e				
(VOLTS)	(AMPS)	(VOLTS)	(AMPS)	TEMP RANGE: -25°C TO 85°C STORAGE: -40°C TO 85°C SHOCK: 50G PER IEC 68-2-27 VIBRATION: 10G PER IEC 68-2-6			
120	6	24	2.8				
240	3	125	.55				
380	1.9	250	.27				
480	1.5						
500	1.4						
600	1.2						
ITH = 10A							

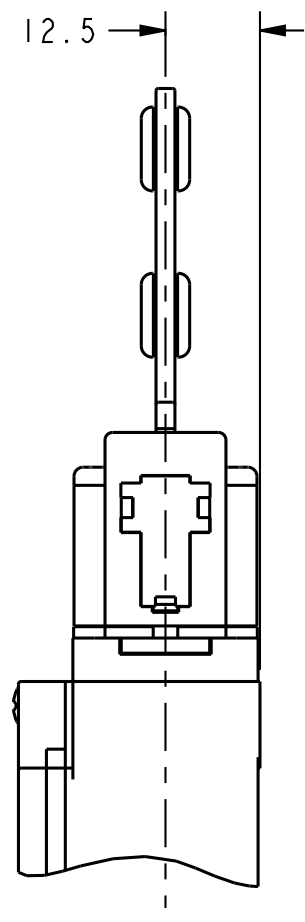
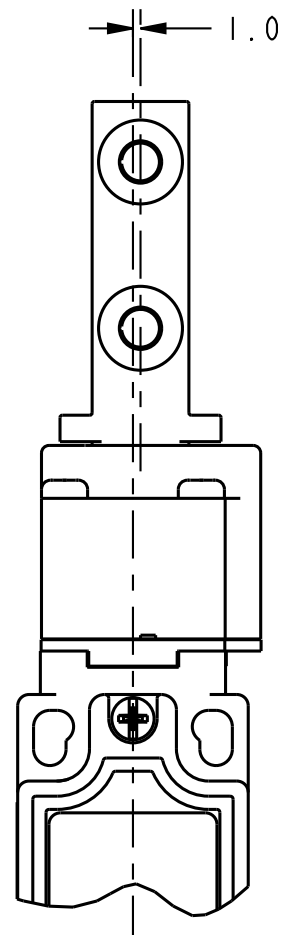
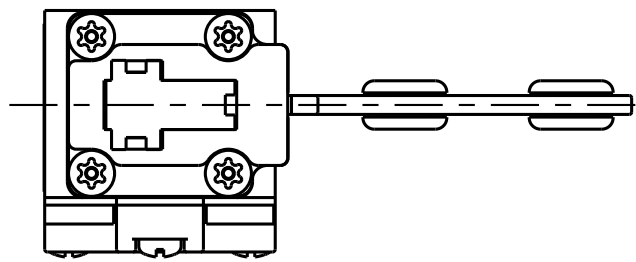
DESIGN UNITS: MM	DRAWN	MAM	23JUN05				
TOLERANCES UNLESS NOTED:	CHECK	-	-				
NO PLACES .x ± 1.000	THIS DRAWING COVERS A PROPRIETARY ITEM AND IS THE PROPERTY OF HONEYWELL. THIS DRAWING IS NOT TO BE COPIED OR USED WITHOUT THE PERMISSION OF HONEYWELL.			TITLE			
ONE PLACE .X ± 0.4				SWITCH, KEY INTERLOCK			
TWO PLACE .XX ± 0.15				SIZE	TYPE	DRAWING NAME	REV
THREE PLACE .XXX ± 0.005				C	I	GKE SERIES CHART 1	F
ANGLES X ± 3°	INTERPRET PER ASME Y14.5M-1994 OTHER HONEYWELL ENGINEERING STANDARDS MAY APPLY			SCALE	1:1	SHEET	1 OF 3
THIRD ANGLE PROJECTION				Pro/ENGINEER	3D		



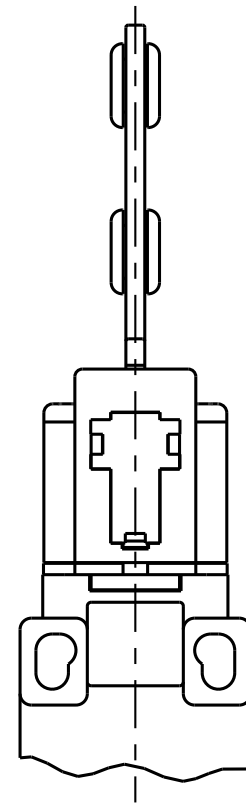
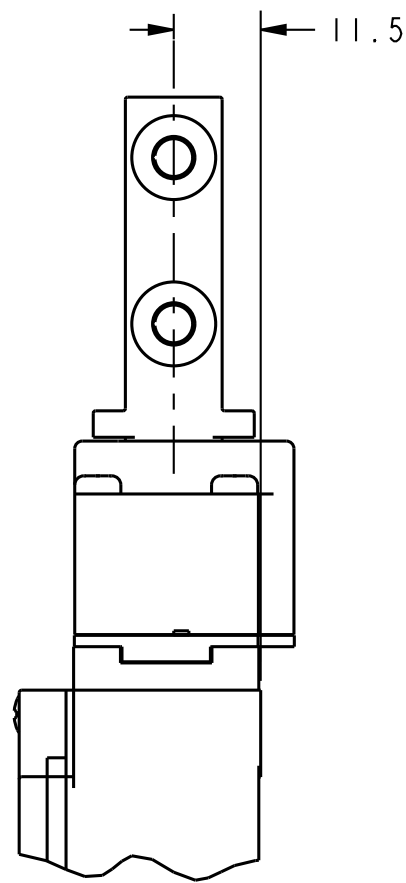
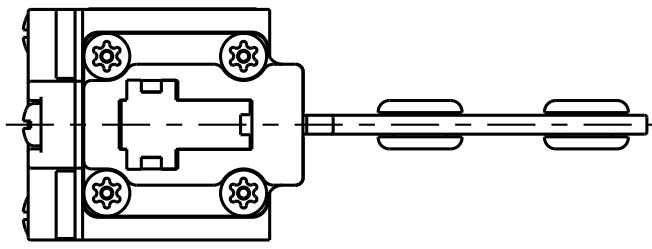
ACTUATOR GKZ51M $\triangle 9$
STRAIGHT KEY
(STAINLESS STEEL)



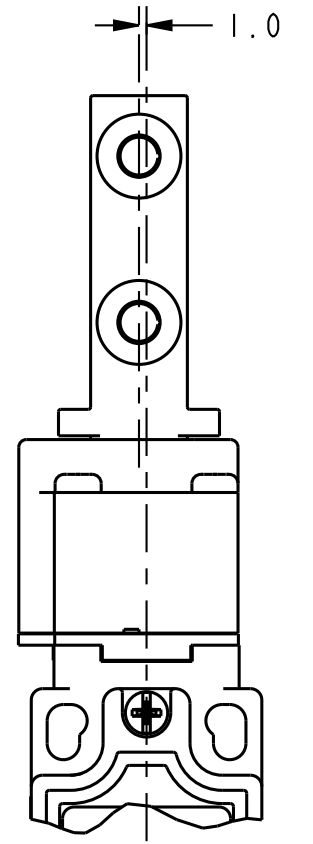
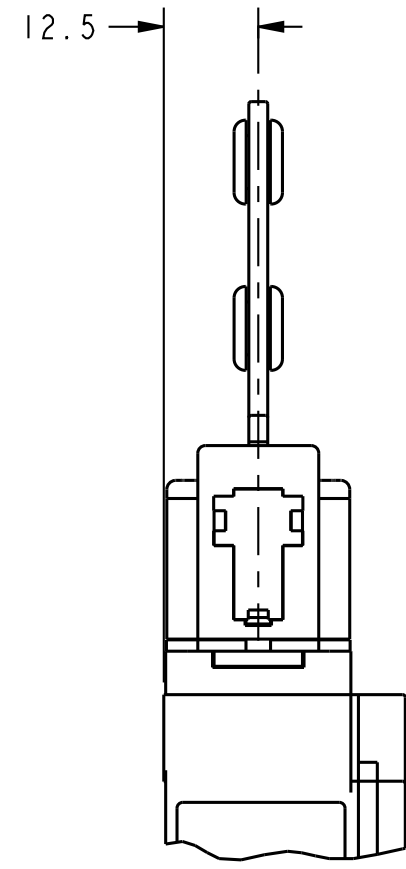
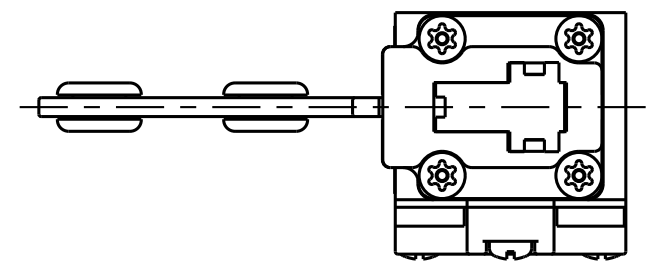
HEAD ORIENTATION CODE L



HEAD ORIENTATION CODE M



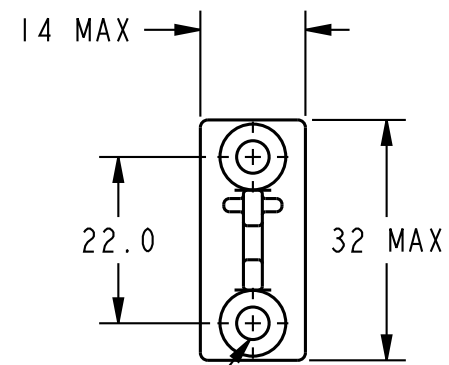
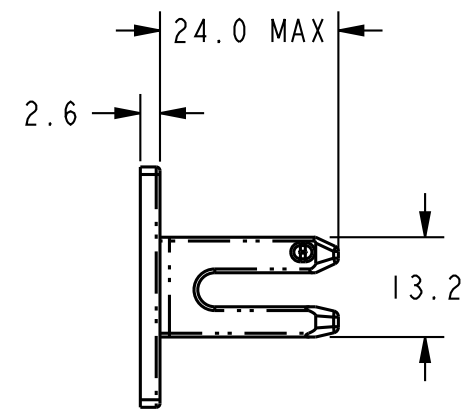
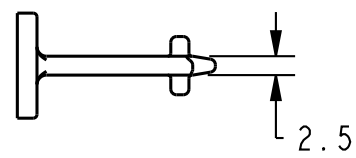
HEAD ORIENTATION CODE N



HEAD ORIENTATION CODE P

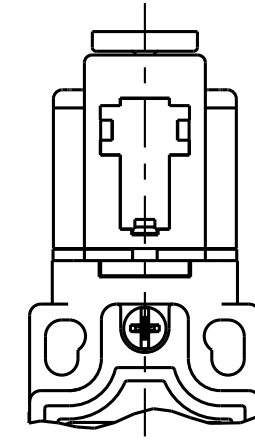
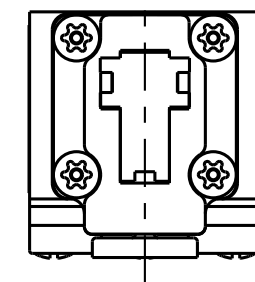
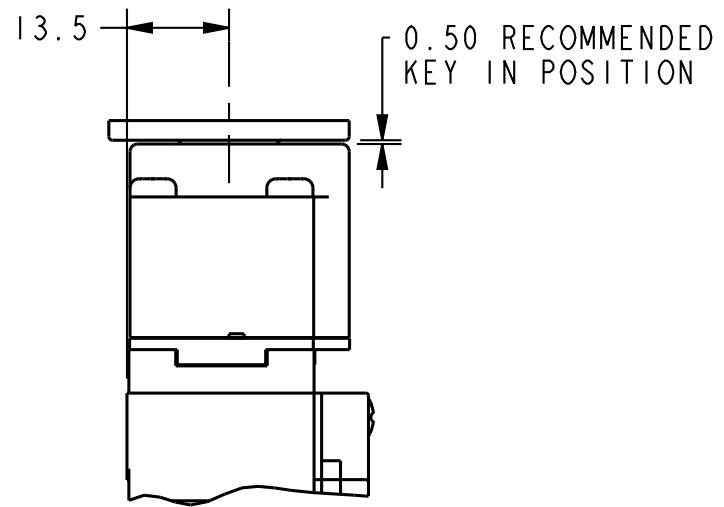
THIS DRAWING COVERS A PROPRIETARY ITEM AND IS THE PROPERTY OF HONEYWELL. THIS DRAWING IS NOT TO BE COPIED OR USED WITHOUT THE PERMISSION OF HONEYWELL.

Honeywell			
SIZE C	DWG TYPE I	DRAWING NAME GKE SERIES CHART 1	REV F
SCALE 1:1	SHEET 2 OF 3		

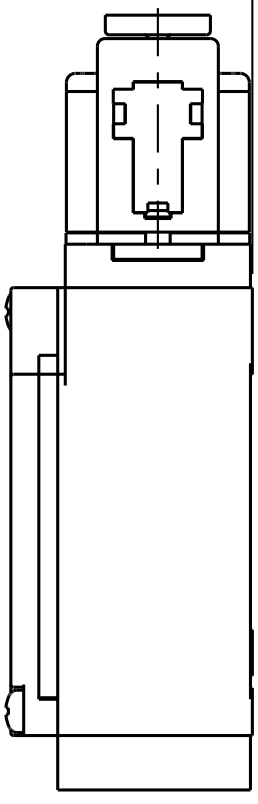
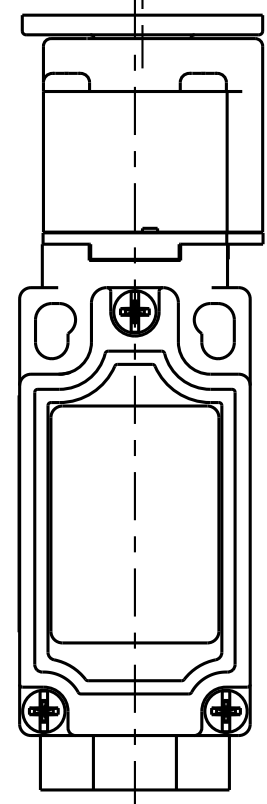
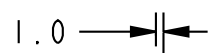
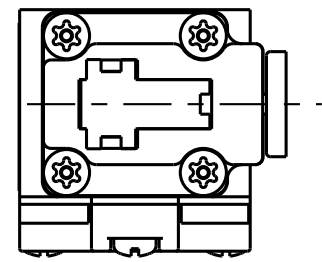


2X HOLES FOR M4 OR #8
COUNTERSUNK SCREW
WITH 45° COUNTERSINK
X ∇ 2.2 \triangle 10

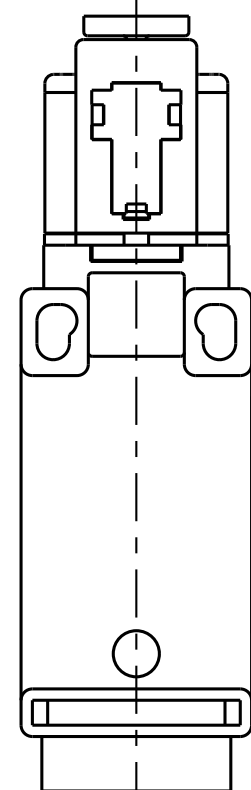
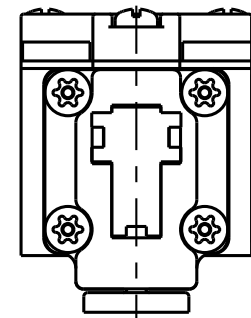
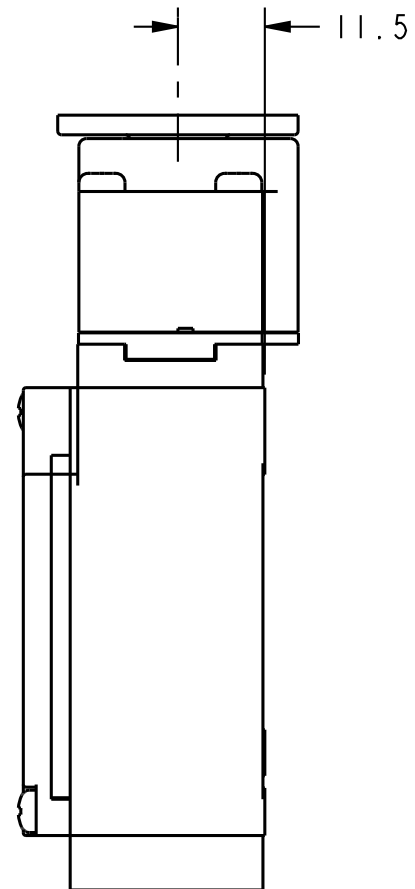
ACTUATOR GKZ52M \triangle 9
90° KEY
(STAINLESS STEEL)



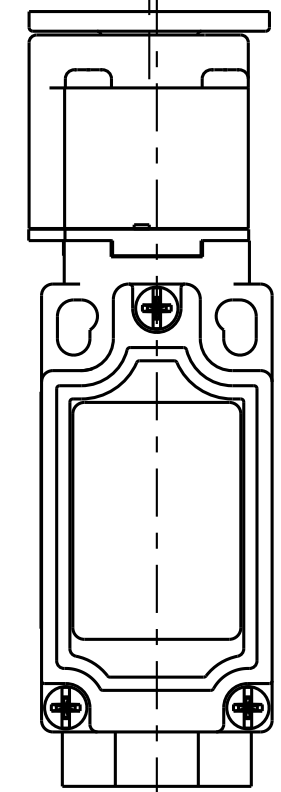
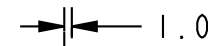
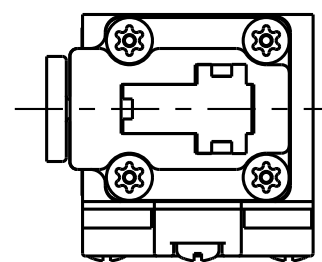
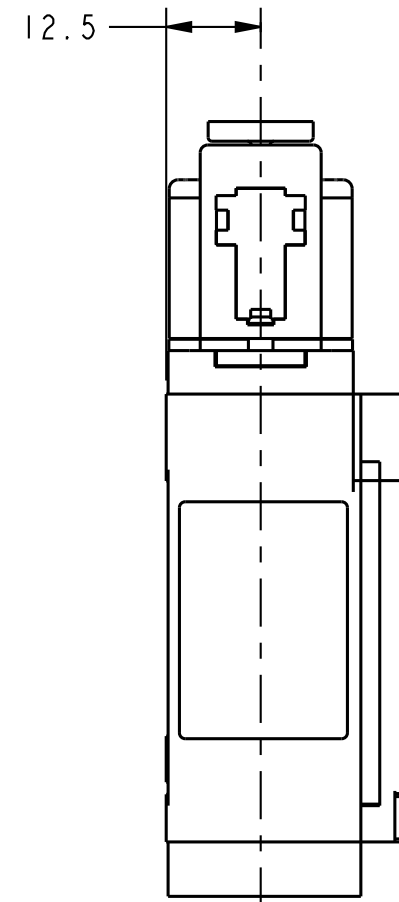
HEAD ORIENTATION CODE L



HEAD ORIENTATION CODE M



HEAD ORIENTATION CODE N



HEAD ORIENTATION CODE P

THIS DRAWING COVERS A PROPRIETARY
ITEM AND IS THE PROPERTY OF
HONEYWELL. THIS DRAWING IS
NOT TO BE COPIED OR USED WITHOUT
THE PERMISSION OF HONEYWELL.

Honeywell			
SIZE C	DWG TYPE I	DRAWING NAME GKE SERIES CHART 1	REV F
SCALE 1:1		SHEET 3 OF 3	