

MICRO SWITCH
 FREEPORT ILLINOIS U.S.A
 A DIVISION OF HONEYWELL
 FED. MFG. CODE 91929

SWITCH-ENCLOSED

CATALOG LISTING
EXD-Q-3

EXD-Q-3

M

DRAWING NUMBER

ISSUE 10

REPLACES

RELEASE NO. PR-8880

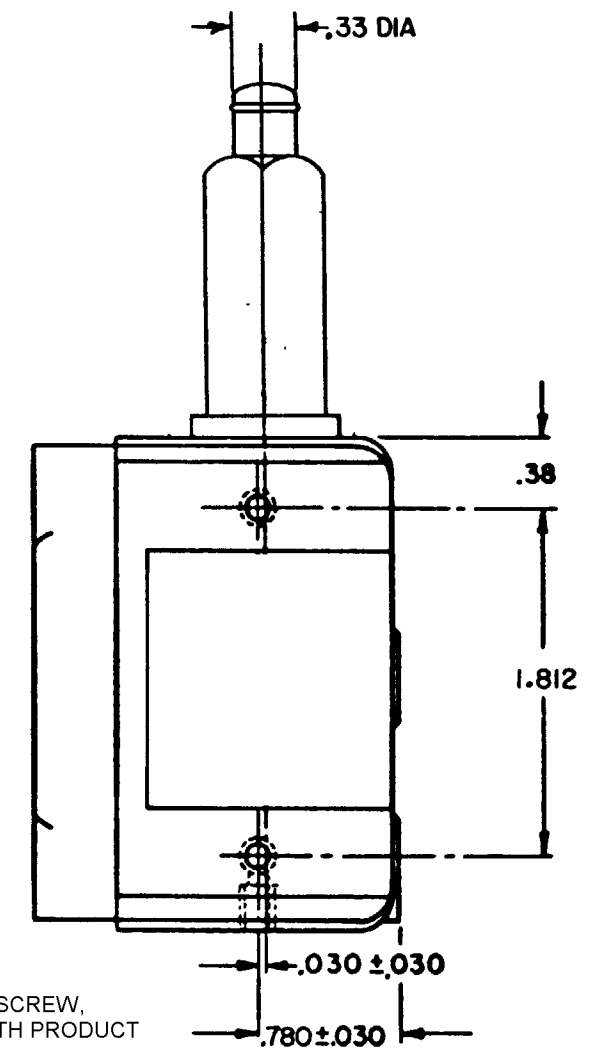
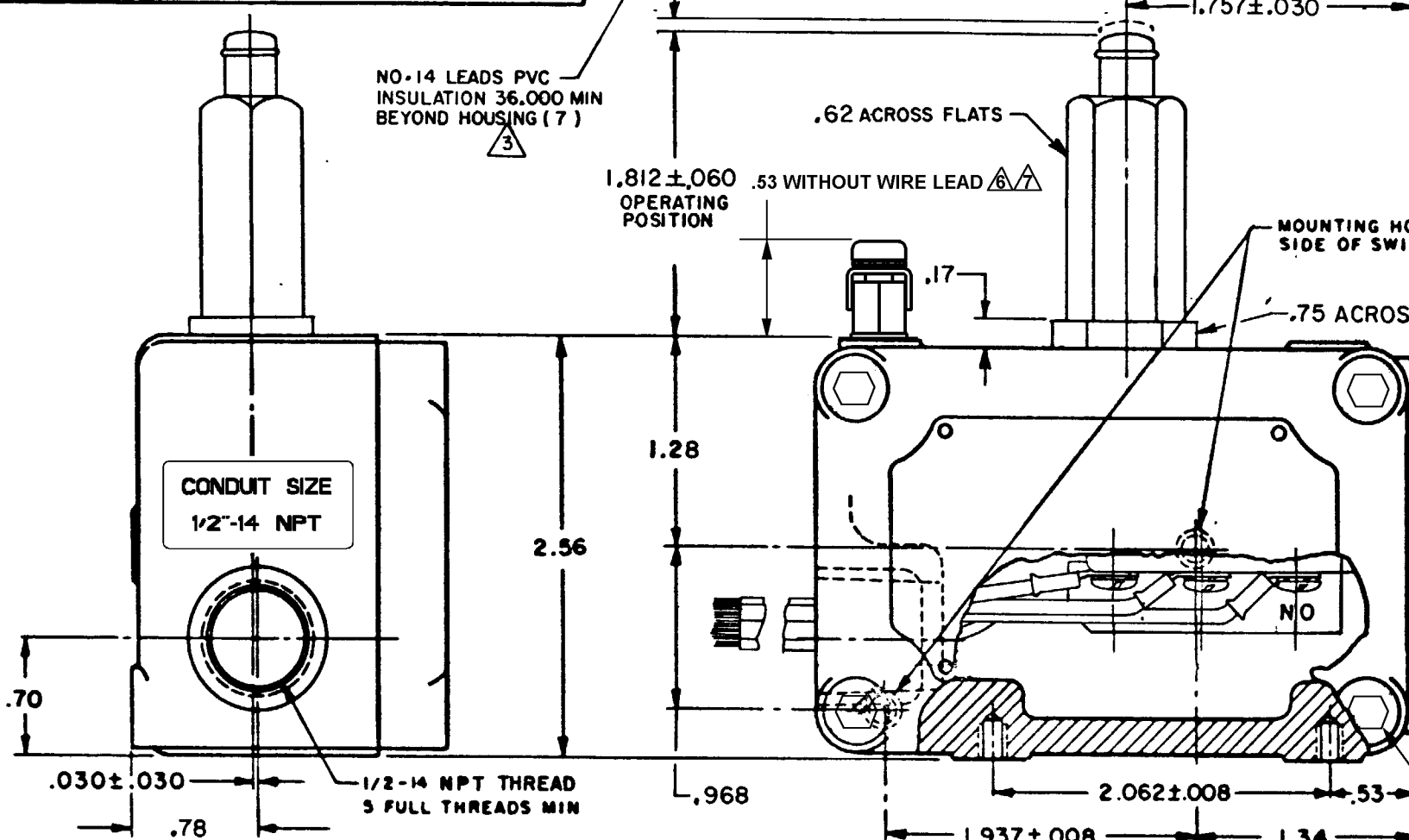
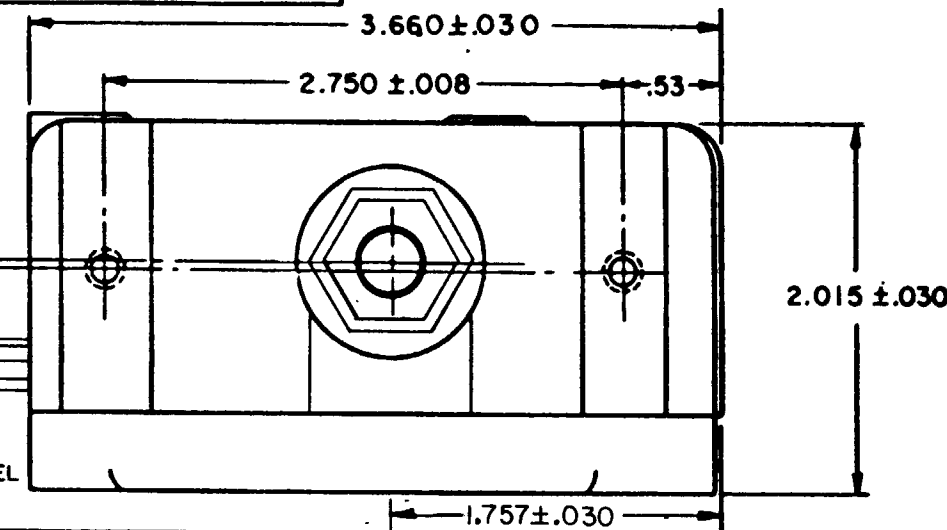
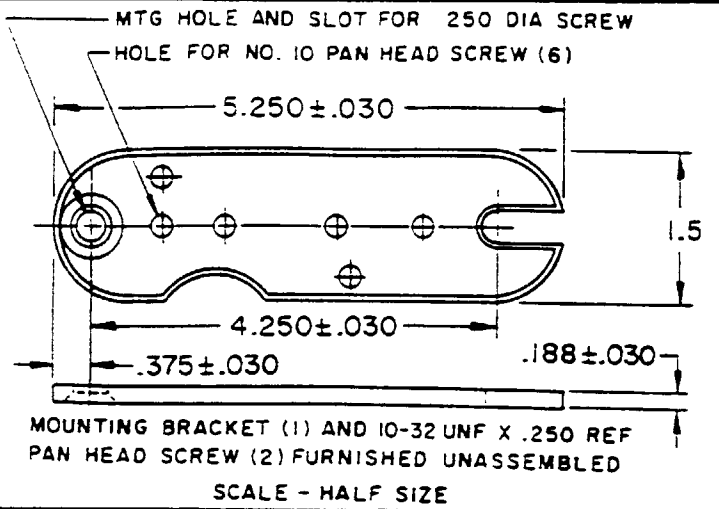
CMH 18OCT10

CHECK

REVISIONS

A	CO	53779A	27 APR 85
S	L	B	29 AUG 83
B	CO	58389	9 NOV 85
C	CO	60495	1 NOV 86
D	CO	61381	23 APR 87
E	CO	63239	22 MAR 88
F	CO	73019	19 SEP 92
G	NM	0012750	09 MAY 05
H	KRB	0017245	28 NOV 05
J	SJK	0070470	18 OCT 10

5 JUNE 80



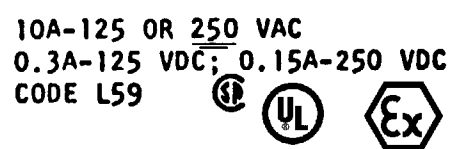
THIS DRAWING COVERS A PROPRIETARY ITEM AND IS THE PROPERTY OF MICRO SWITCH, A DIVISION OF HONEYWELL. THIS DRAWING IS NOT TO BE COPIED OR USED WITHOUT THE APPROVAL OF MICRO SWITCH.

THIRD ANGLE PROJECTION

SCALE FULL	
DO NOT SCALE PRINT	
TOLERANCES	
APPLY TO DESIGN UNITS. CONVERSIONS ARE ONLY FOR REFERENCE UNLESS NOTED. TOLERANCES ARE 2	
DIM.	TOL.
mm	mm/100
IN	IN
NO PLACES	1/64
ONE PLACE	0.4/018
TWO PLACES	0.15/006
THREE PLACES	0.87/00
ANGLES	0.38/015
	0.13/005
DESIGN UNITS	SI METRIC
	US CUSTOMARY
RAW MATERIAL - COMMERCIAL STANDARD	
MICRO SWITCH STANDARDS APPLY	
DIMENSIONS ARE TO BE MET BEFORE PROTECTIVE COATINGS ARE APPLIED	
WEIGHT	

- NOTES**
- 1 - MOUNTING SCREW HOLE, 10-32 UNF THREAD X .219 REF DEEP (8)
 - 2 - EXPLOSION PROOF - UNDERWRITERS' LAB. INC. LISTED FOR HAZARDOUS LOCATIONS NEMA 7, CLASS I, GROUPS B,C AND D, NEMA 9, CLASS II, GROUPS E,F AND G.
 - 3 - COM LEADS - BLACK, N.C. LEADS - RED, N.O. LEADS - BLUE, GROUND LEAD - GREEN
 - 4 - EUROPEAN HAZARDOUS LOCATIONS DESIGNATION: Ex dIIB + H2 T6 CATAGORY II 2 G
 - 5 - SEAL RATING : NEMA 1
 - 6 - EXTERNAL GROUND SCREW MAY BE ASSEMBLED TO ANY UNUSED MOUNTING SCREW HOLE
 - 7 - DIMENSIONS ARE TO BE MET BEFORE PROTECTIVE COATINGS ARE APPLIED
 - 8 - ASSEMBLE PROVIDED SPLIT LOCKWASHER BETWEEN GROUND LUG AND HOUSING

CHARACTERISTICS	ELECTRICAL DATA
OPERATING FORCE ----- 3 LB MAX	CONTACT ARRANGEMENT D P D T
RELEASE FORCE ----- 1/2 LB MIN	10A-125 OR 250 VAC
DIFFERENTIAL TRAVEL ----- .060 MAX	0.3A-125 VDC; 0.15A-250 VDC
OVERTRAVEL ----- .141 MIN	CODE L59
BASIC SWITCH REPLACEMENT ----- DT-2R-A7	



RASTER