

**MICRO SWITCH**

FREEPORT ILLINOIS U S A  
A DIVISION OF HONEYWELL

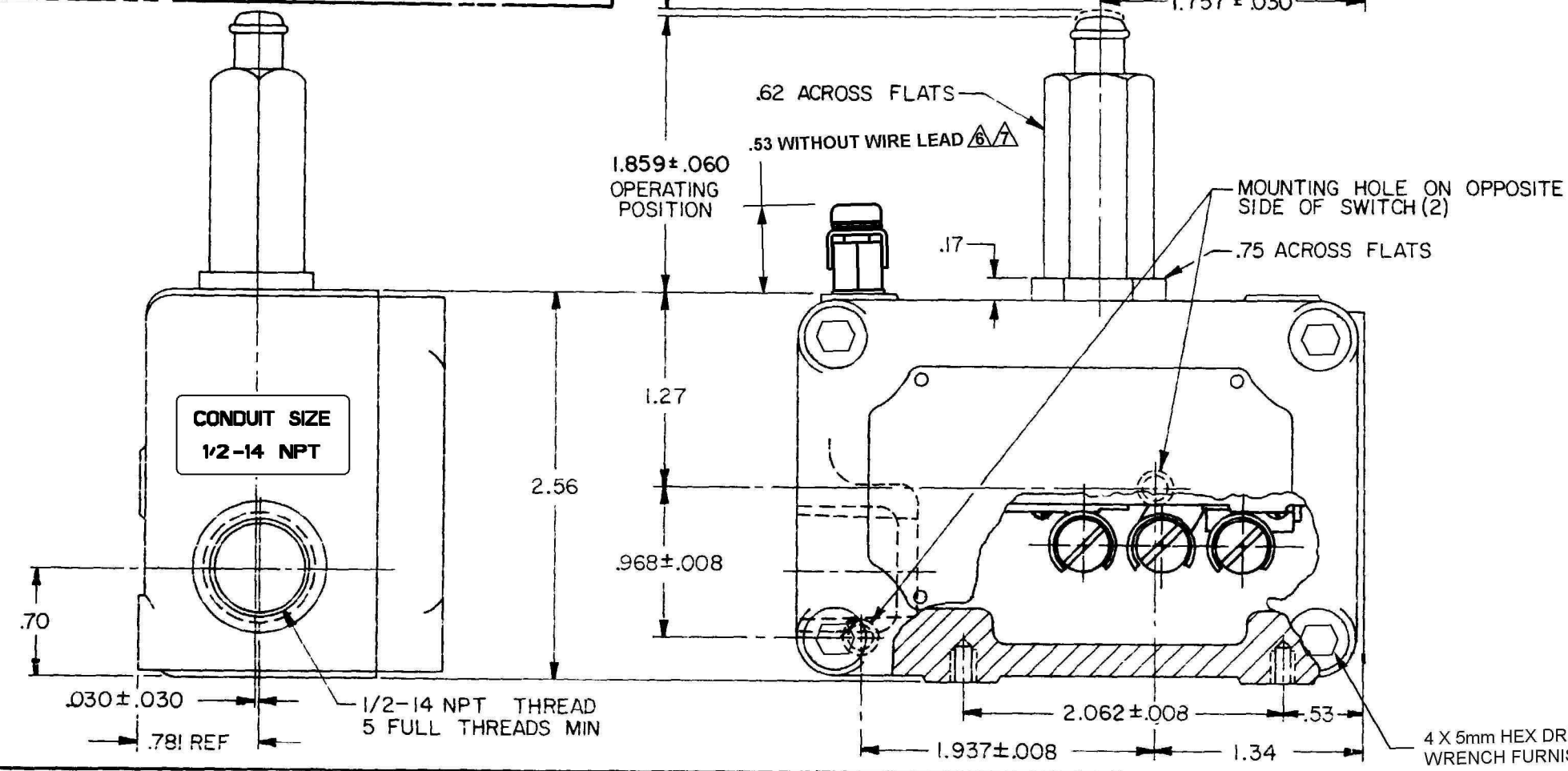
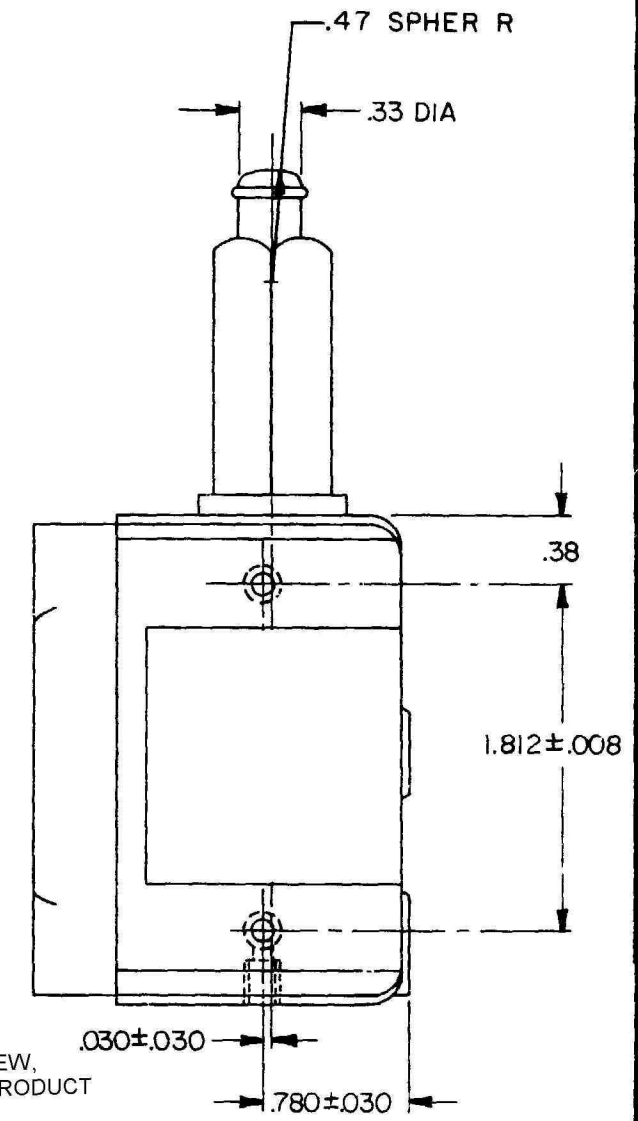
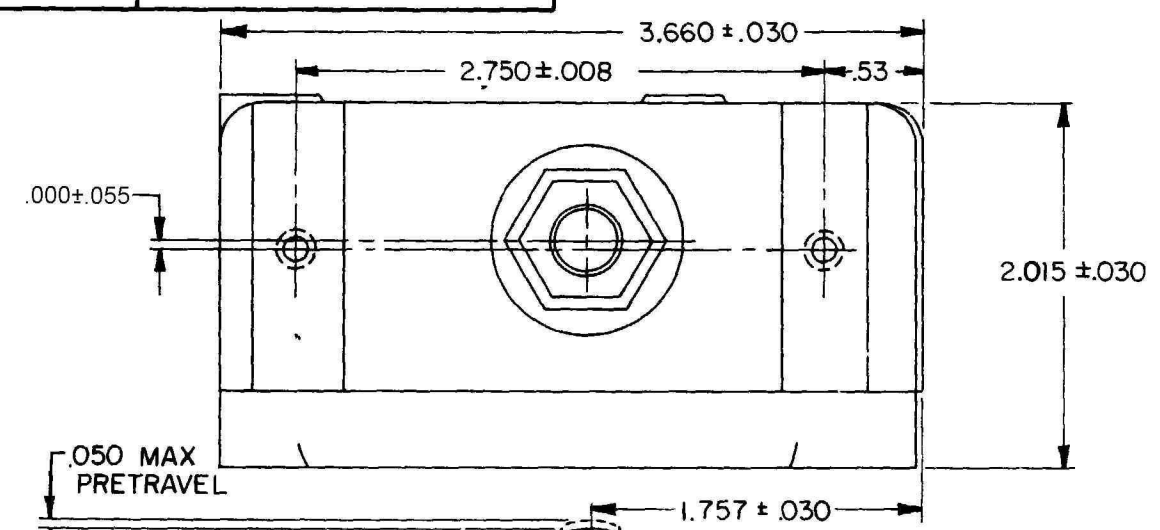
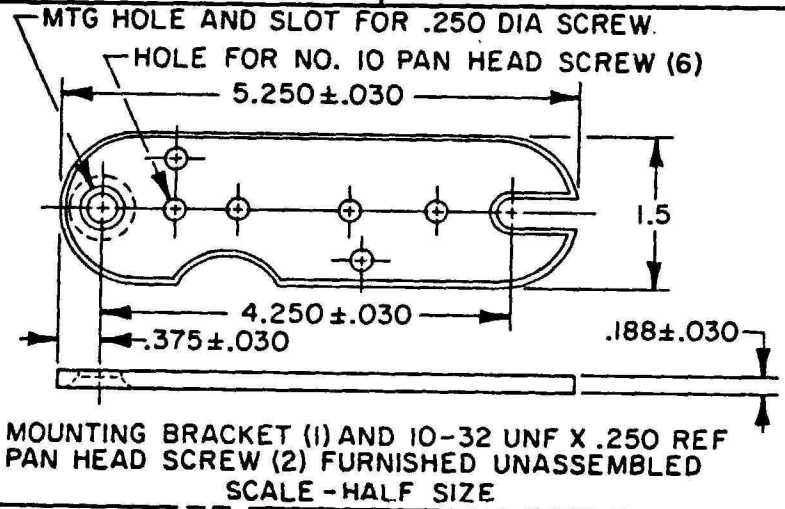
FED. MFG. CODE 91828

**SWITCH-ENCLOSED**

CATALOG LISTING

**EXA-Q ★**

EXA-Q  
 M  
 DRAWING NUMBER  
 18 20  
 ISSUE  
 18 18  
 REVISIONS  
 A CO 53454  
 G J W  
 3 JAN 83  
 B CO  
 58360  
 9 NOV 85  
 CSH  
 CO61381  
 DAW  
 22 APR 87  
 D CO-  
 70715-C  
 SAV  
 NOV 91  
 F CO73019  
 MAM  
 9 SEP 92  
 G 0012750  
 NM  
 09MAY05  
 H 0059237  
 LK  
 03DEC09  
 FO-9285 1-B  
 DRAWN  
 G J W  
 3 JAN 84  
 CHECK  
 AK  
 CHECK  
 26 APR 05  
 CHECK  
 CMH  
 03DEC09  
 CHECK  
 CMH  
 03DEC09  
 REPLACES  
 RELEASE NO.



THIS DRAWING COVERS A PROPRIETARY ITEM AND IS THE PROPERTY OF MICRO SWITCH A DIVISION OF HONEYWELL. THIS DRAWING IS NOT TO BE COPIED OR USED WITHOUT THE APPROVAL OF MICRO SWITCH

CHARACTERISTICS	
OPERATING FORCE	2 LB MAX
RELEASE FORCE	1/2 LB MIN
DIFFERENTIAL TRAVEL	.009 MAX
OVERTRAVEL	.125 MIN
SWITCH-BASIC REPLACEMENT	BA-2R-P4

ELECTRICAL DATA	
CONTACT ARRANGEMENT S P D T	
L23	
20A 125, 250, OR 480 VAC	
10A 125 VAC "L"	
1 HP 125 VAC, 2 HP 250 VAC	
1/2 A 125 VDC, 1/4 A 250 VDC	

SCALE FULL			
DO NOT SCALE PRINT			
TOLERANCES APPLY TO DESIGN UNITS CONVERSIONS ARE ONLY FOR REFERENCE UNLESS NOTED TOLERANCES ARE ±			
DIM	TOL	DIM	TOL
mm	mm/in	in	mm/in
NO PLACES	X	1/04	X X
ONE PLACE	X X	0 4/018	X X X
TWO PLACES	X X X	0 15/006	X X X X
THREE PLACES	X X X X	0 13/005	X X X X X
ANGLES			
DESIGN UNITS		SI METRIC	
		US CUSTOMARY	
THIRD ANGLE PROJECTION			
WEIGHT			

- NOTES**
- 1 - MOUNTING SCREW HOLE, 10-32 NF-2B THREADS X .219 REF DEEP. (8)
  - 2 - 8-32 UNC X .219 REF TERMINAL SCREWS AND CUPWASHERS
  - 3 - EXPLOSION PROOF - UNDERWRITERS' LAB. INC. LISTED FOR HAZARDOUS LOCATIONS NEMA 7, CLASS I, GROUPS C AND D, NEMA 9, CLASS II, GROUPS E, F AND G.
  - 4 - EUROPEAN HAZARDOUS LOCATIONS DESIGNATION: Ex dIIB + H2 T6 CATAGORY II 2 G
  - 5 - SEAL RATING : NEMA 1
- ▲ - EXTERNAL GROUND SCREW MAY BE ASSEMBLED TO ANY UNUSED MOUNTING SCREW HOLE  
▲ - ASSEMBLE PROVIDED SPLIT LOCKWASHER BETWEEN GROUND LUG AND HOUSING