

FED. MFG. CODE 91929

M
EXA-AR62

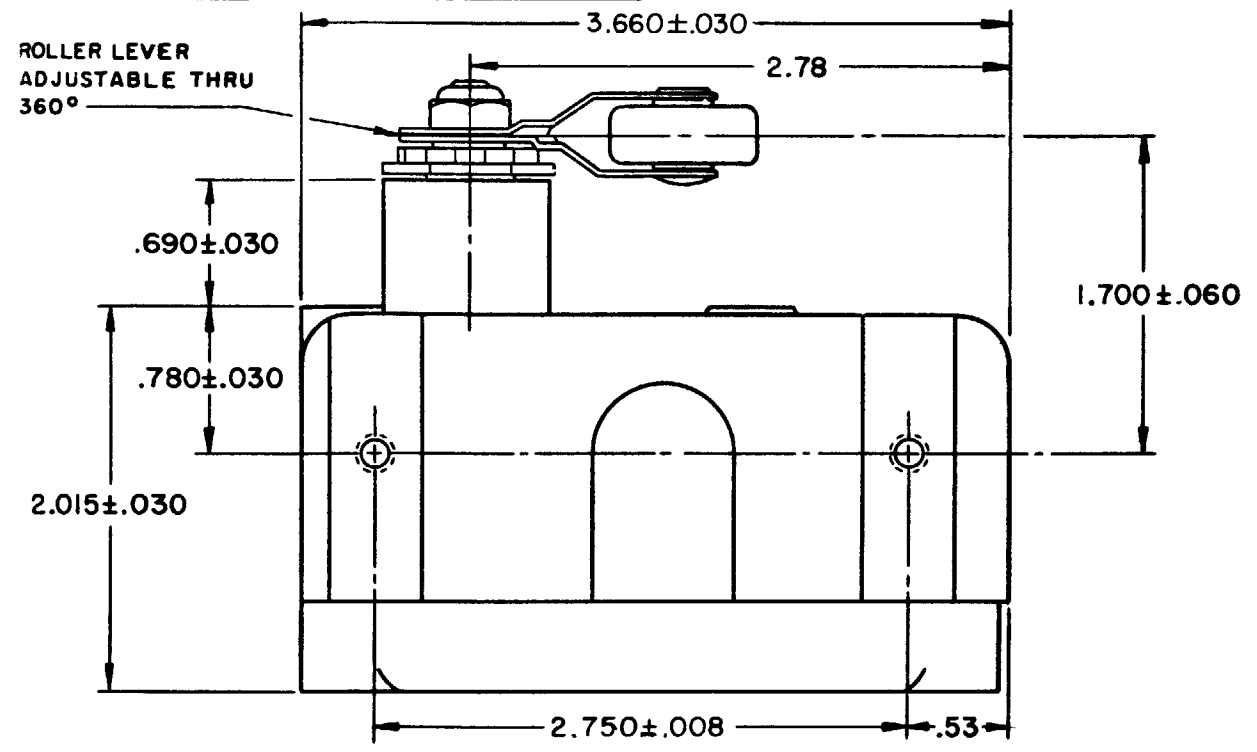
DRAWING NUMBER
7

ISSUE
7

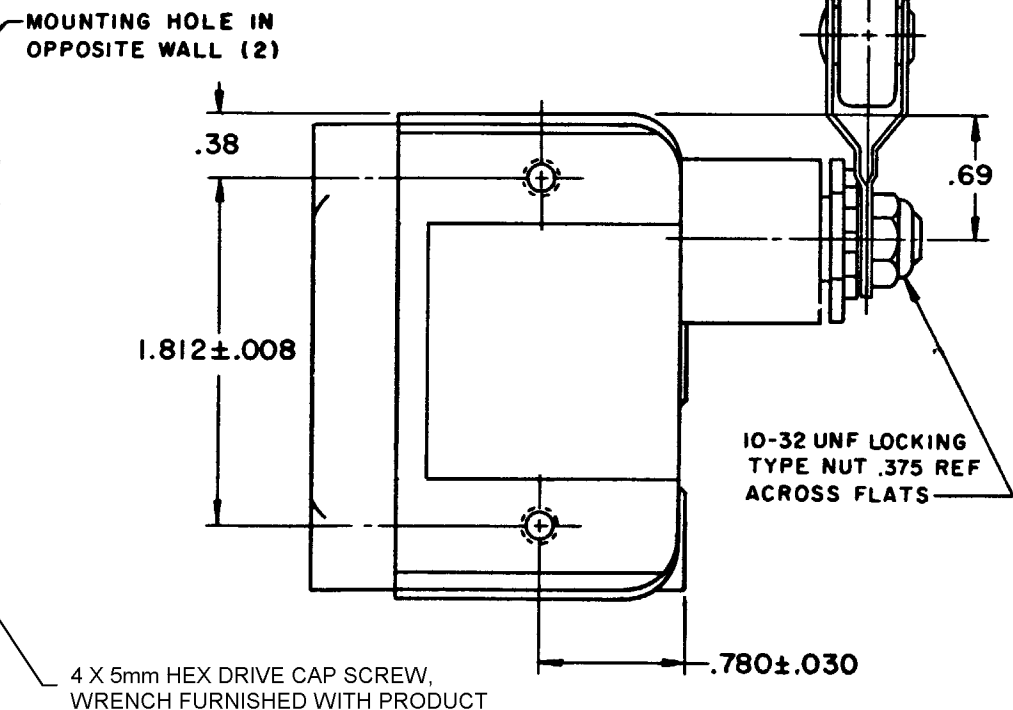
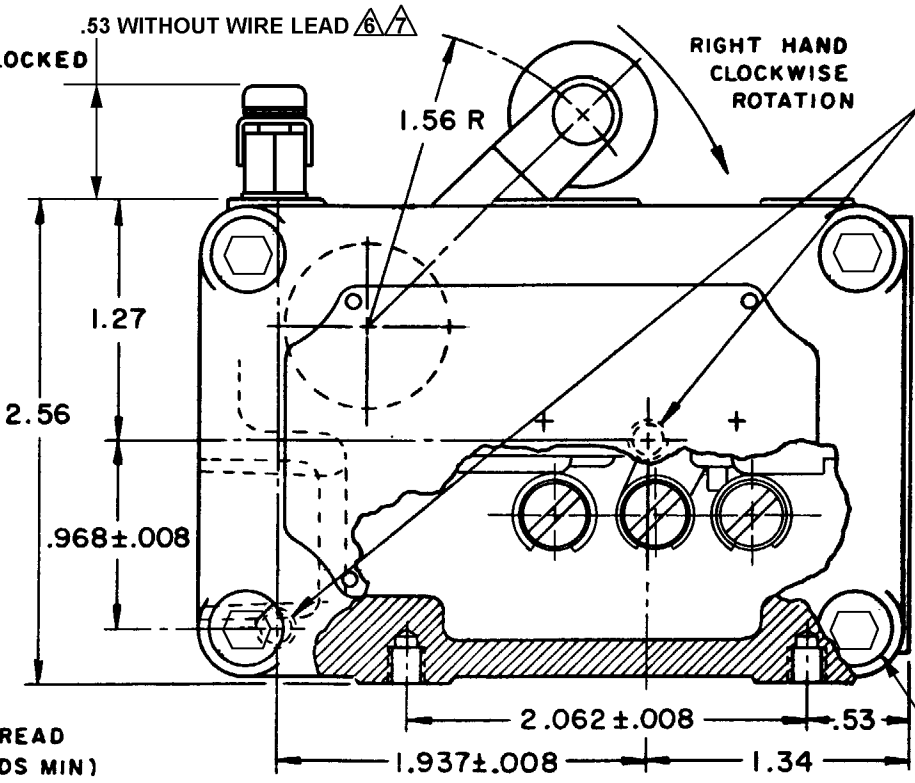
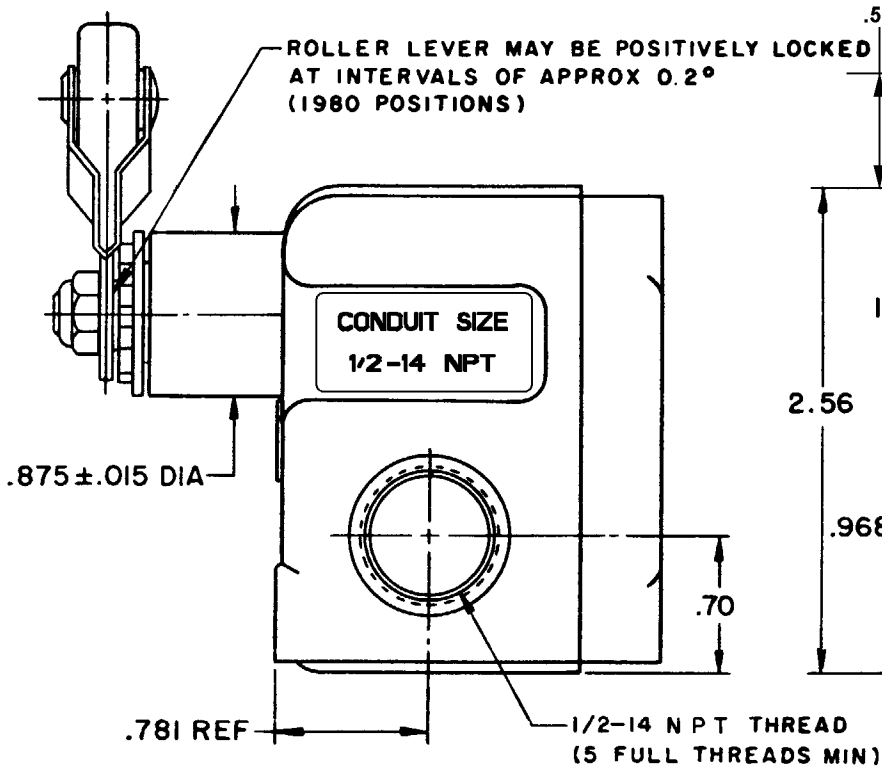
REVISIONS

A	CO 58360	23 APR 87
B	CO 61381	26 APR 87
C	CO 70715-C	6 NOV 91
D	CO 73019	21 JUN 73
E	0012750	26 APR 05
F	0059237	03 DEC 09

FO-50378-003
 DRAWN
 D B W 19 JUN 73
 CHECK
 L S D 21 JUN 73
 CHECK
 L S D 21 JUN 73



.750 REF DIA X .312 REF WIDE
 ROLLER MADE OF NON-SPARKING, WEAR RESISTANT MATERIAL



CHARACTERISTICS	
OPERATING FORCE	12-32 OZ
RELEASE FORCE	8 OZ MIN
PRETRAVEL	.219 MAX (8°)
DIFFERENTIAL TRAVEL	.012 MAX
DO NOT OVERTRAVEL MORE THAN	25°
SWITCH BASIC REPLACEMENT	BA-2R-P4

ELECTRICAL DATA	
CONTACT ARRANGEMENT S P D T	
L 23	
20A-125, 250 OR 480 VAC; 10A-125 VAC "L"	
1 HP-125 VAC; 2HP-250 VAC	
1/2A-125 VDC; 1/4A-250 VDC	

SCALE FULL	
DO NOT SCALE PRINT	
UNLESS OTHERWISE NOTED	
DIMENSIONS ARE IN INCHES	
TOLERANCES ARE:	
ONE PLACE (.0)	±.030
TWO PLACE (.00)	±.015
THREE PLACE (.000)	±.008
ANGLES	±
WEIGHT	

- NOTE-**
- 1- MOUNTING SCREW HOLES, 10-32 UNF - 2 B THREADS X .219 REF DEEP (8)
 - 2- 8-32 UNC X .219 REF BINDING HEAD TERMINAL SCREW AND CUPWASHER (3)
 - 3- EXPLOSION PROOF - UNDERWRITER'S LAB, INC. LISTING FOR HAZARDOUS LOCATIONS NEMA 7, CLASS I, GROUPS C AND D, NEMA 9, CLASS II, GROUPS E, F AND G
 - 4- EUROPEAN HAZARDOUS LOCATIONS DESIGNATION: Ex dIIB + H2 T6 CATAGORY II 2 G
 - 5- SEAL RATING: NEMA 1
- ▲- EXTERNAL GROUND SCREW MAY BE ASSEMBLED TO ANY UNUSED MOUNTING SCREW HOLE
 ▲- ASSEMBLE PROVIDED SPLIT LOCKWASHER BETWEEN GROUND LUG AND HOUSING