

MICRO SWITCH

A DIVISION OF MINNEAPOLIS-HONEYWELL REGULATOR COMPANY
MINNEAPOLIS, MINN.

FED. MFR. CODE 91929

SWITCH-ENCLOSED

CATALOG LISTING
EX-N15

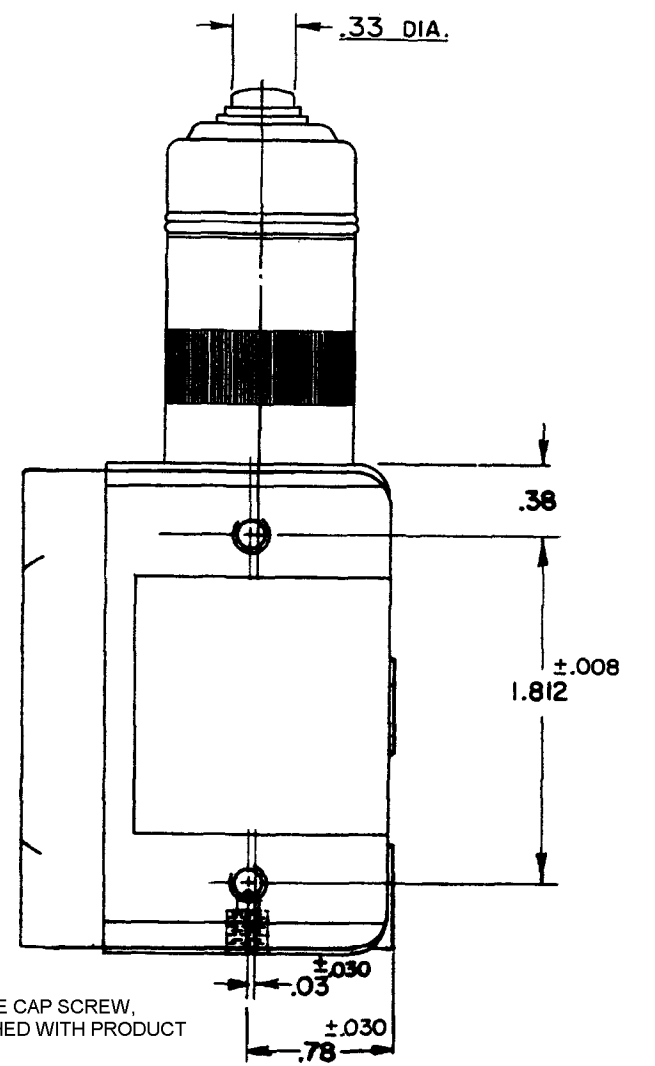
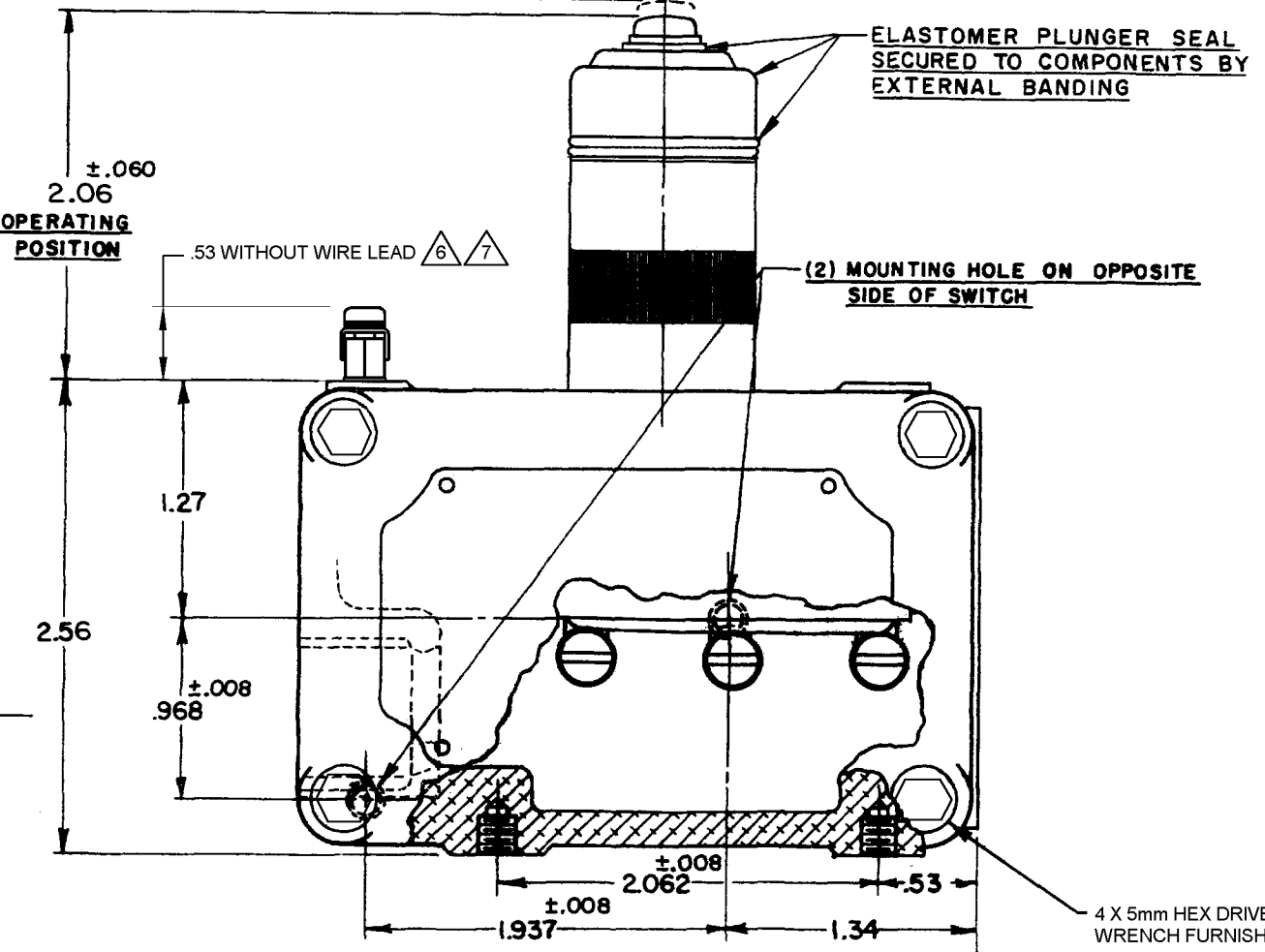
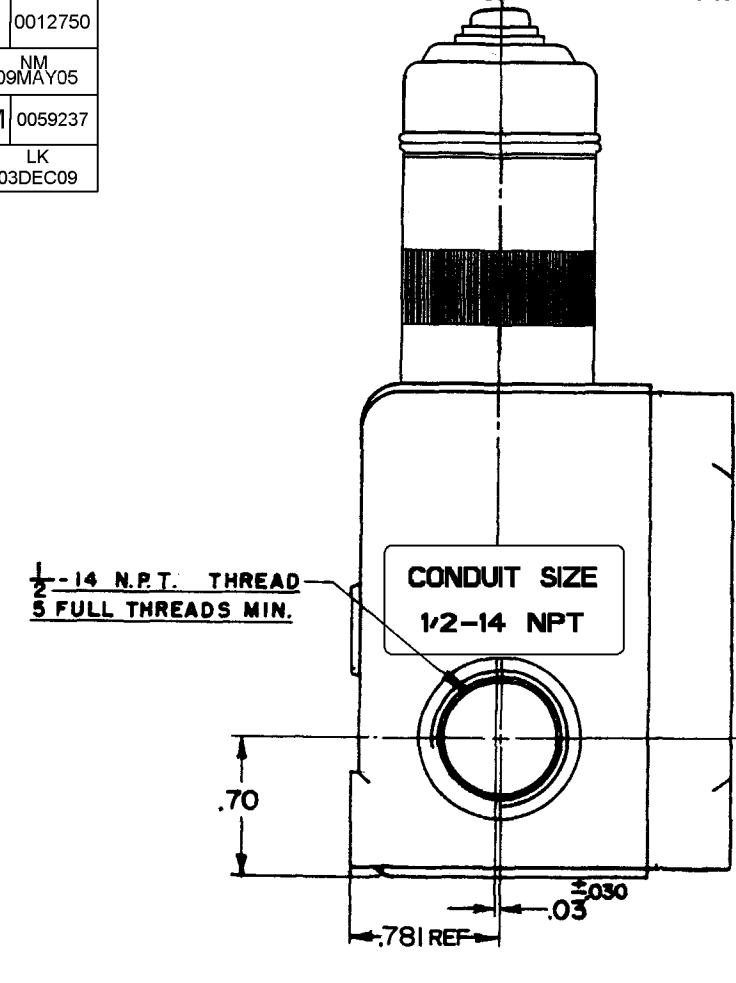
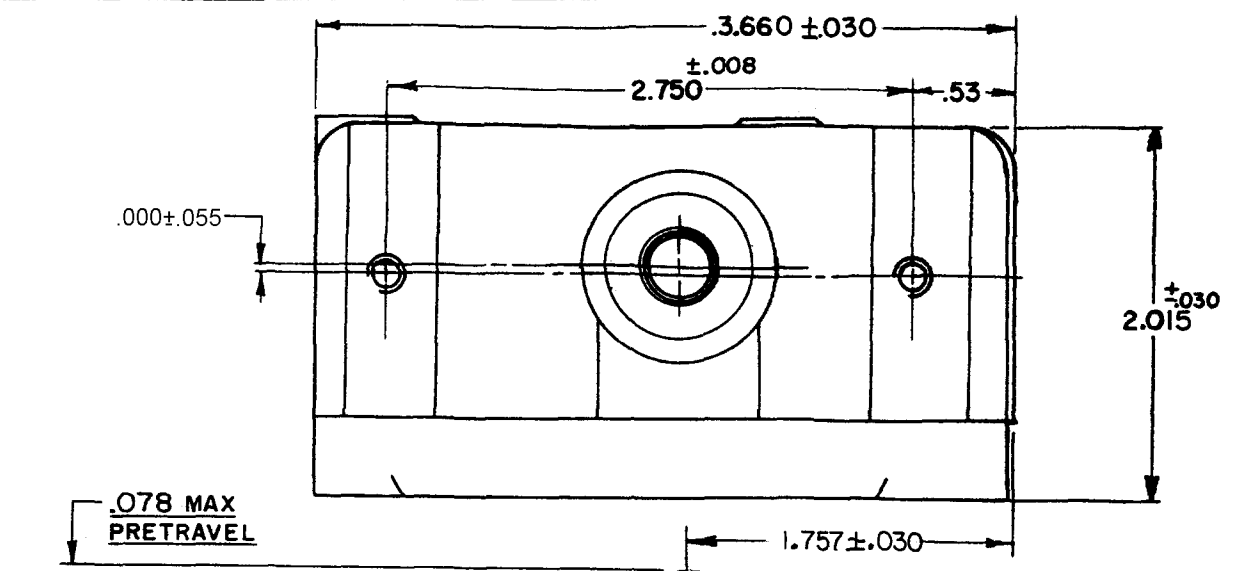
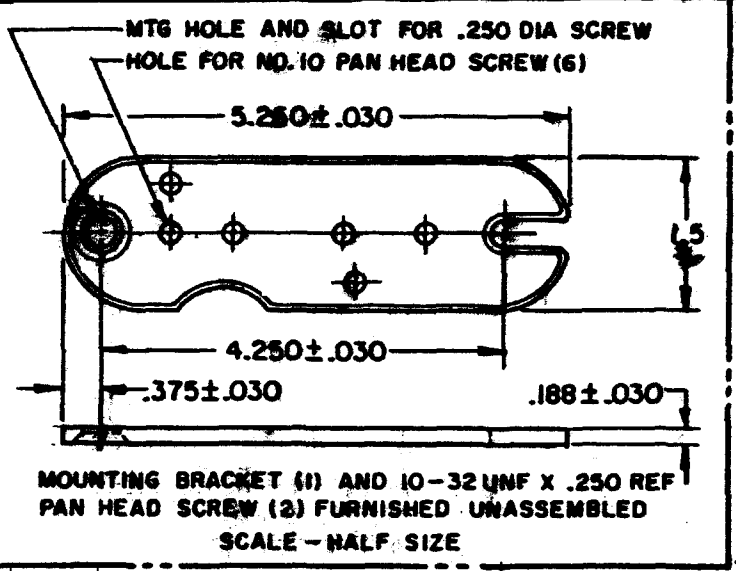
THIS DRAWING COVERS A PROPRIETARY ITEM AND IS THE PROPERTY OF MICRO SWITCH, A DIVISION OF HONEYWELL. THIS DRAWING IS NOT TO BE COPIED OR USED WITHOUT THE APPROVAL OF MICRO SWITCH.

M

EX-N15
DRAWING NUMBER
ISSUE
X 13
X 13
X 13

REVISIONS	
A	CO 18276
B	CO 19878
C	CO 26103
D	CO 31559
E	CO 53779A
F	CO 58368
G	CO 61381
H	CO 71415
J	CO 73019
K	CO 77364
L	CO 77364

RASTER
DRAWN
O M W 10 FEB 59



CHARACTERISTICS	
OPERATING FORCE	----- 3 LB MAX
RELEASE FORCE	----- 3/4 LB MIN
DIFFERENTIAL TRAVEL	----- .004 MAX
OVERTRAVEL	----- .188 MIN
SWITCH-BASIC REPLACEMENT	--- BZ-2R15-P4

ELECTRICAL DATA	
CONTACT ARRANGEMENT	SPDT
TERMINALS	-L9-
VOLTAGE	10 A-125, 250, OR 480 VAC 1/2 A-125 VDC; 1/4 A-250 VDC

SCALE - FULL	
DO NOT SCALE PRINT	
UNLESS OTHERWISE SPECIFIED DIMENSIONS ARE IN INCHES	
TOLERANCES ARE:	
ONE PLACE (.0)	±.030
TWO PLACE (.00)	±.015
THREE PLACE (.000)	±.005
ANGLES	
WEIGHT	

- NOTE-
- EXPLOSION PROOF - UNDERWRITERS' LAB INC LISTED FOR HAZARDOUS NEMA 7, LOCATIONS CLASS I, GROUPS C AND D NEMA 9, CLASS II, GROUPS E, F AND G.
 - (8) MOUNTING SCREW HOLE, 10-32 NF-2B THREAD X .219" DEEP.
 - 8-32 NC X .219" TERMINAL SCREWS AND CUP WASHERS.
 - EUROPEAN HAZARDOUS LOCATIONS DESIGNATION: Ex d IIB + H2 T6 CATAGORY II 2 G.
 - SEAL RATING: NEMA 1
 - EXTERNAL GROUND SCREW MAY BE ASSEMBLED TO ANY UNUSED MOUNTING SCREW HOLE
 - ASSEMBLE PROVIDED SPLIT LOCKWASHER BETWEEN GROUND LUG AND HOUSING

THIS DRAWING COVERS A PROPRIETARY ITEM AND IS THE PROPERTY OF MICRO SWITCH, A DIVISION OF MINNEAPOLIS-HONEYWELL REGULATOR CO. THIS DRAWING IS NOT TO BE COPIED OR USED WITHOUT THE APPROVAL OF MICRO SWITCH.