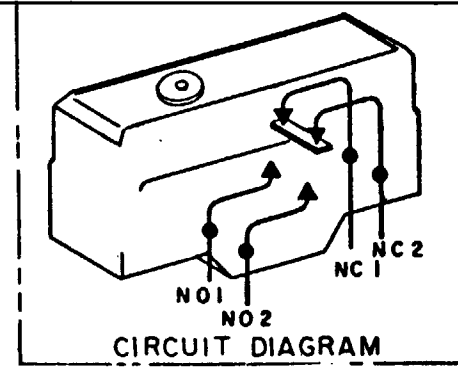


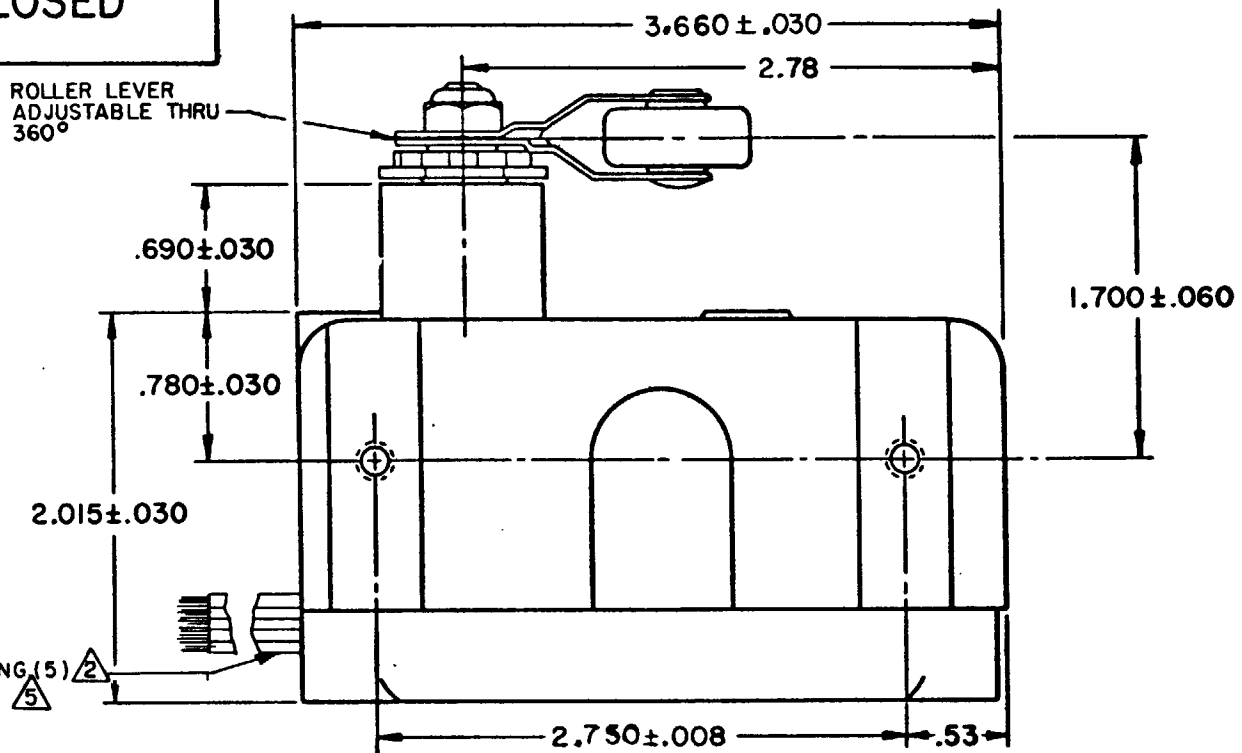
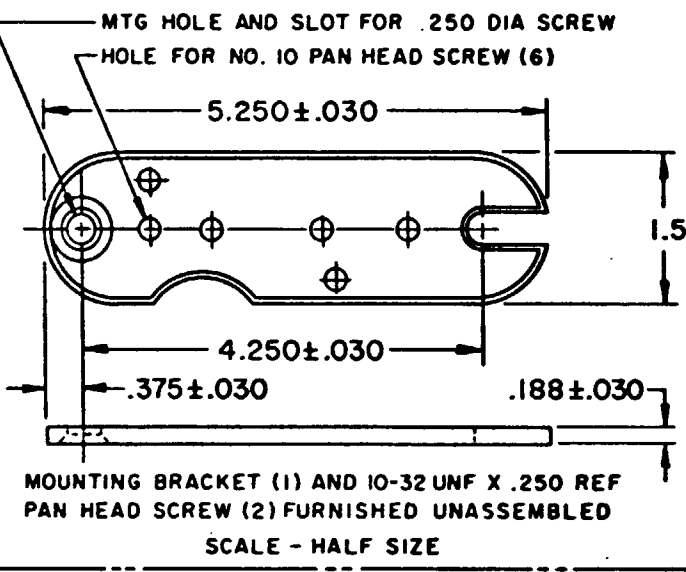
MICRO SWITCH
 FREEPORT ILLINOIS U.S.A.
 A DIVISION OF HONEYWELL
 FED. MFG. CODE 81929

SWITCH-ENCLOSED

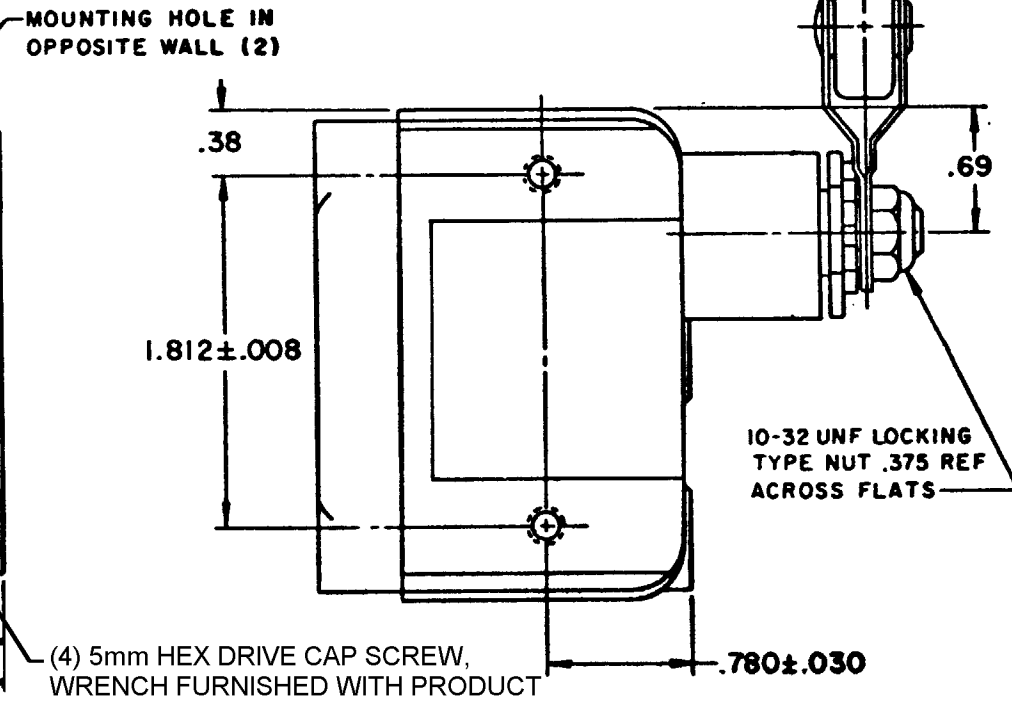
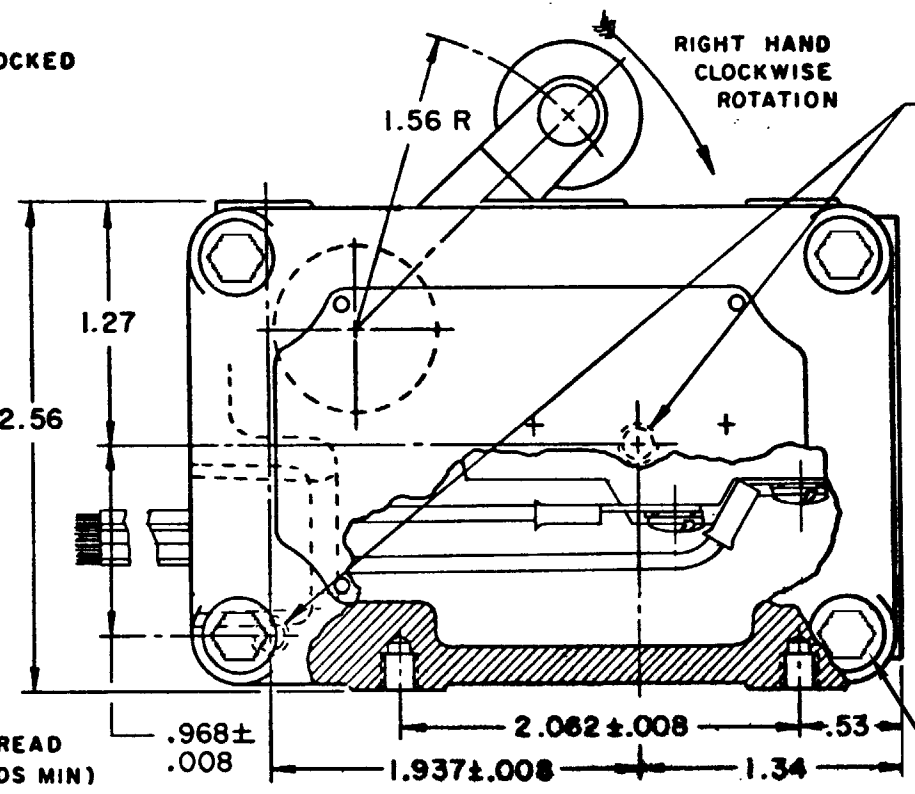
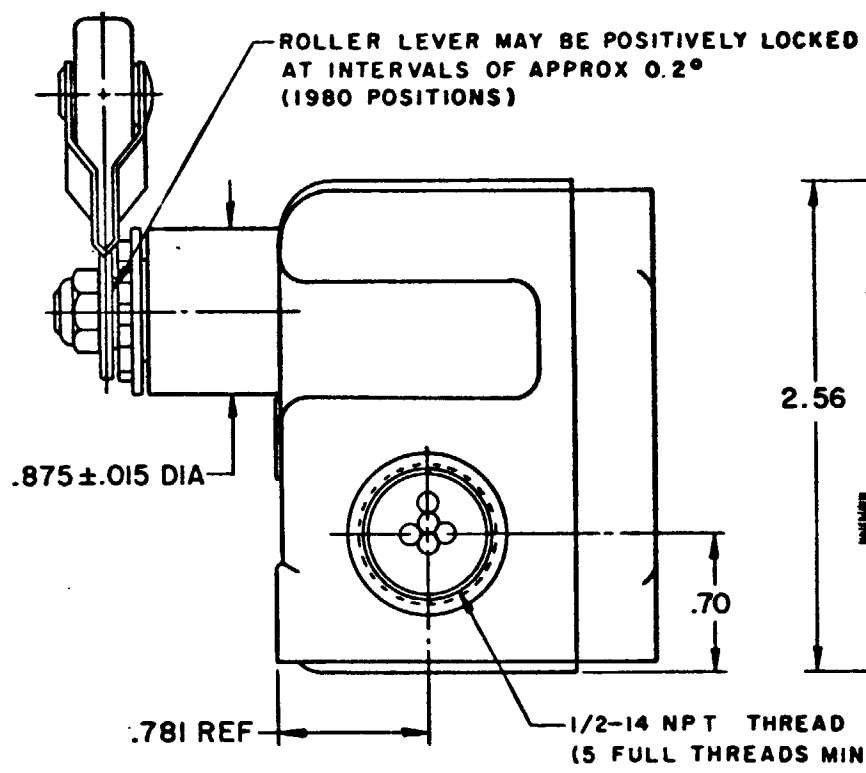
CATALOG LISTING
EX-AR471-3



EX-AR471-3
 M
 DRAWING NUMBER
 ISSUE 7
 REVISIONS
 A CO48431 WJM 29 SEP 80
 B CO51288 CSH 9 NOV 85
 C CO61381 DAW 22 APR 87
 D CO63239 YLB 21 MAR 88
 E CO73019 MAM 19 SEP 92
 F 0012750 KSR 26 APR 05
 RASTER
 FO-92851-A
 DRAWN
 S L B 5 JUNE 80
 CHECK
 631 JUNE 80
 CHECK
 AK 26 APR 05
 CHECK
 PR-8880
 REPLACES

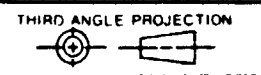


.750 REF DIA X .312 REF WIDE
 ROLLER MADE OF NON-SPARKING
 WEAR RESISTANT MATERIAL



(4) 5mm HEX DRIVE CAP SCREW, WRENCH FURNISHED WITH PRODUCT

THIS DRAWING COVERS A PROPRIETARY ITEM AND IS THE PROPERTY OF MICRO SWITCH, A DIVISION OF HONEYWELL. THIS DRAWING IS NOT TO BE COPIED OR USED WITHOUT THE APPROVAL OF MICRO SWITCH.



SCALE FULL	
DO NOT SCALE PRINT	
TOLERANCES	
NO PLACES	±.001
TWO PLACES	±.002
THREE PLACES	±.003
FOUR PLACES	±.004
DESIGN UNITS	
RAW MATERIAL - COMMERCIAL BY	<input type="checkbox"/>
MICRO SWITCH STANDARD	<input checked="" type="checkbox"/>
DIMENSIONS ARE TO BE MET BEFORE PROTECTIVE COATINGS ARE APPLIED	
WEIGHT	

NOTES

- MOUNTING SCREW HOLES, 10-32 UNF-2B THREADS X .219 REF. DEEP (8)
- LEAD WIRES 105°C MAX
- SUITABLE ONLY FOR APPLICATIONS IMPARTING A RAPID STROKE TO THE SWITCH ROLLER
- EXPLOSION PROOF-UNDERWRITER'S LAB INC LISTING FOR HAZARDOUS LOCATIONS, NEMA 7, CLASS I, GROUP C & D, NEMA 9, CLASS II, GROUPS E, F, & G
- N.O. LEADS - BLUE
N.C. LEADS - RED
GROUND LEAD - GREEN
- SEAL RATING: NEMA 1

CHARACTERISTICS	ELECTRICAL DATA
OPERATING FORCE ----- 12-24 OZ	CONTACT ARRANGEMENT SEE CIRCUIT DIAGRAM
RELEASE FORCE ----- 4 OZ MIN	 15A-125,250 OR 480 VAC 1A-125 VDC; 0.5A-250 VDC 1/4 HP-125 VAC; 1/2 HP-250 VAC CODE L73
PRETRAVEL ----- 8° (.219 MAX)	
DIFFERENTIAL TRAVEL - 3/4" (.021 MAX)	
OVERTRAVEL ----- DO NOT OVERTRAVEL MORE THAN 90°	