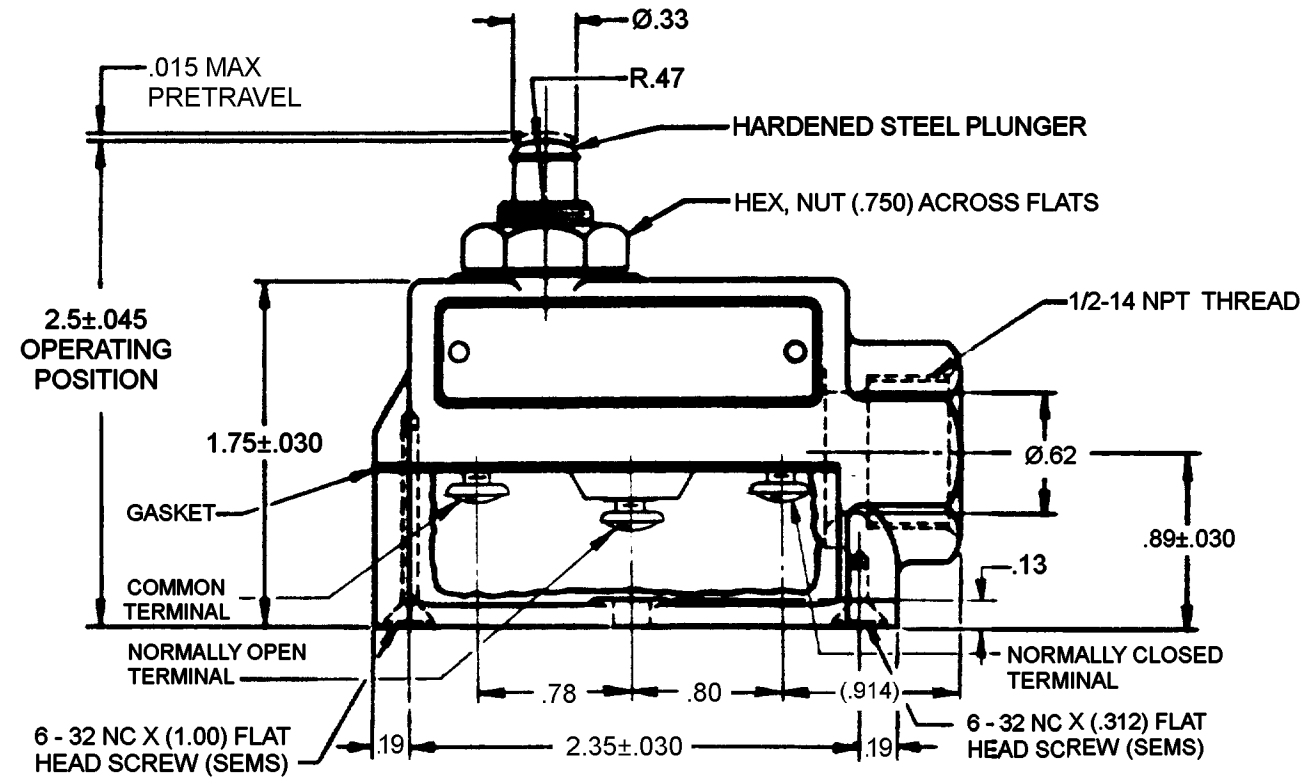
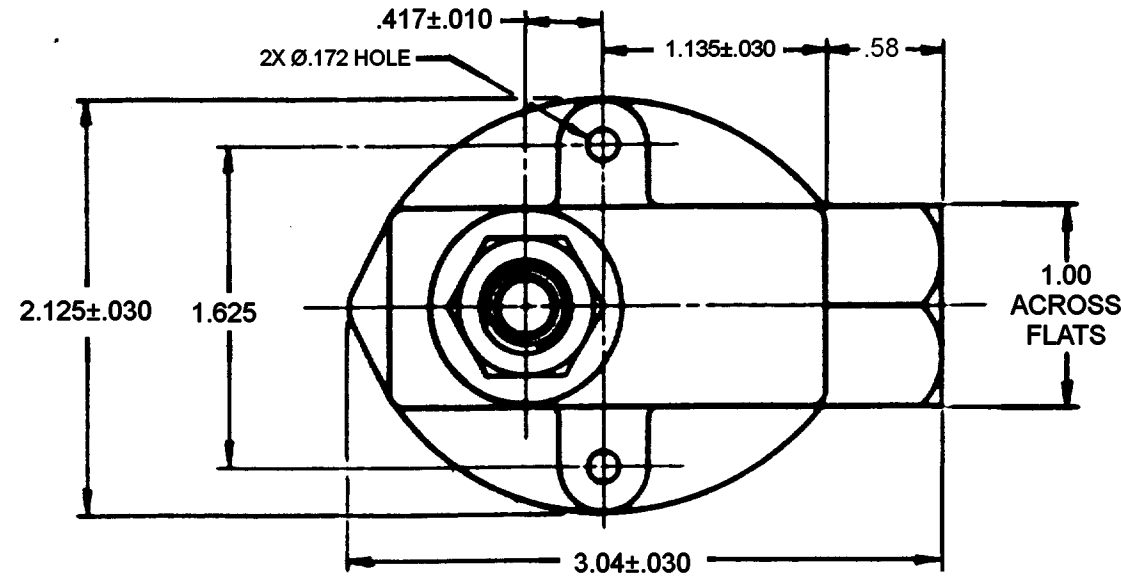


HONEYWELL  
PART NUMBER

BZV6-2RQ

REV	DOCUMENT	CHANGED BY	CHECK
8	0081848	NMN 19SEP11	CMH



NOTES

- 1 - 3X 6 - 32 NC X (.219) TERMINAL SCREW AND CUP WASHER.
- 2 - SEALED FOR NEMA 1 AND IP 40 RATING.

RELEASE NO: SR-7228

<b>CHARACTERISTICS</b> OPERATING FORCE----- 9-13 OZ RELEASE FORCE----- 4 OZ MIN DIFFERENTIAL TRAVEL----- .002 MAX OVERTRAVEL----- .219 MIN SWITCH-BASIC REPLACEMENT----- BZ-2RQ66		<b>ELECTRICAL DATA</b> CONTACT ARRANGEMENT S P D T -L74- 15A-125, 250 OR 480 VAC, 2A-600 VAC 1/8 HP - 125 VAC; 1/4 HP - 250 VAC 1/2A - 125 VDC; 1/4A-250 VDC CE 1.5A, 240VAC		DESIGN UNITS: INCH TOLERANCES UNLESS NOTED: NO PLACES x ± ONE PLACE .x ± .030 TWO PLACE .xx ± .015 THREE PLACE .xxx ± .005 ANGLES x ± 0° THIRD ANGLE PROJECTION		DRAWN O.M.W 15JAN58 CHECK GCH 28JAN58 THIS DRAWING COVERS A PROPRIETARY ITEM AND IS THE PROPERTY OF HONEYWELL. THIS DRAWING IS NOT TO BE COPIED OR USED WITHOUT THE PERMISSION OF HONEYWELL. INTERPRET PER ASME Y14.5M-1994 OTHER HONEYWELL ENGINEERING STANDARDS MAY APPLY RASTER		<b>Honeywell</b> TITLE SWITCH - ENCLOSED SIZE TYPE CAGE CODE DRAWING NAME REV B I . BZV6-2RQ 8 SCALE NONE WEIGHT .62 LB SHEET 1 OF 1			
--	--	--	--	--	--	--	--	--	--	--	--