

MICRO SWITCH
a Honeywell Division

FED. MFG. CODE 91929

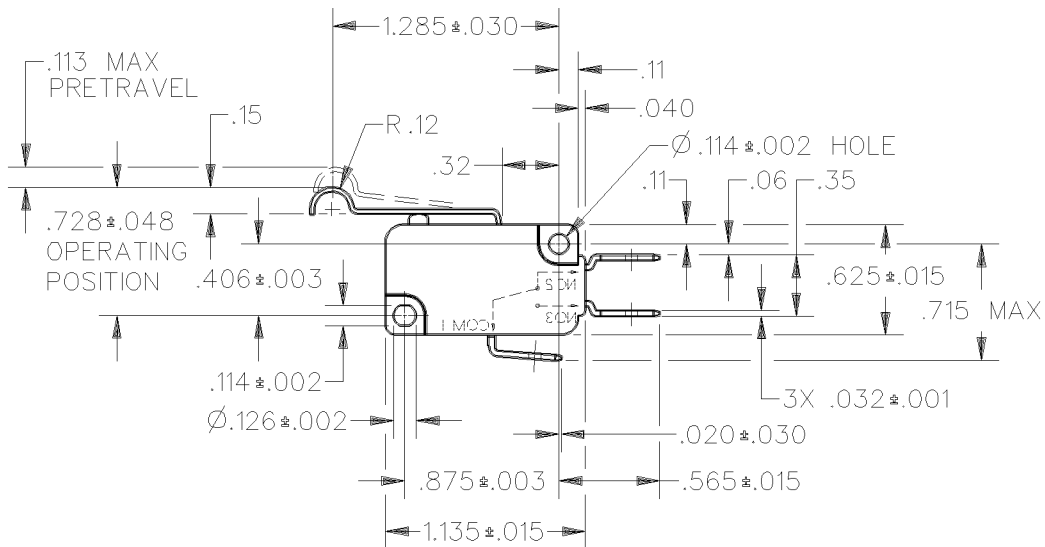
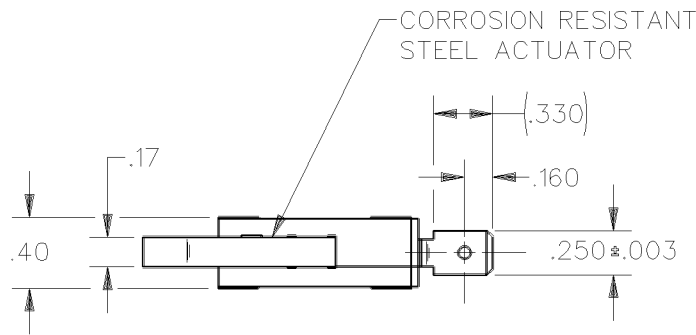
SWITCH-BASIC

CATALOG LISTING

V7-3S17E9-263

CW-B8708

CATALOG LISTING
V7-3S17E9-263
PAGE 1 OF 1
REPLACES
RELEASE NO. PR-20841
ISSUE
4



NOTES

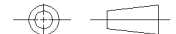
- 1 - IN INSPECTION, DO NOT BURN OUT - GOLD CONTACTS
- 2 - IN INSPECTION, DO NOT EXCEED 10 VDC, .1A RESISTIVE LOAD

REVISIONS	
A	CO-77116 DCS 5 APR 94
B	CO-93311 TSM 26 OCT 98
C	REINST. PR-24381 G J W 16 DEC 99

ANSI Y14.5M-1982 APPLIES

THIS DRAWING COVERS A PROPRIETARY ITEM AND IS THE PROPERTY OF MICRO SWITCH, A DIVISION OF HONEYWELL. THIS DRAWING IS NOT TO BE COPIED OR USED WITHOUT THE APPROVAL OF MICRO SWITCH.

THIRD ANGLE PROJECTION



CHARACTERISTICS	ELECTRICAL DATA CONTACT ARRANGEMENT S P D T	SCALE FULL	DO NOT SCALE PRINT
		UNLESS OTHERWISE SPECIFIED TOLERANCES ARE	
OPERATING FORCE --- 31 GRAMS MAX	L142 0.1A 125 VAC	ONE PLACE (.0)	±.030
RELEASE FORCE --- 1 GRAM MIN		TWO PLACE (.00)	±.015
DIFFERENTIAL TRAVEL --- .025 MAX		THREE PLACE (.000)	±.005
OVERTRAVEL --- .064 MIN		ANGLES	±
RELEASE TRAVEL --- .015 MIN		WEIGHT	



FORMTEK
DRAWN
DCS 23 DEC 93
CHECK
SAV 4 JAN 94
CHECK