

MICRO SWITCH
 FREEPORT ILLINOIS U.S.A.
 A DIVISION OF HONEYWELL
 FED. MFG. CODE 91929

SWITCH-ENCLOSED

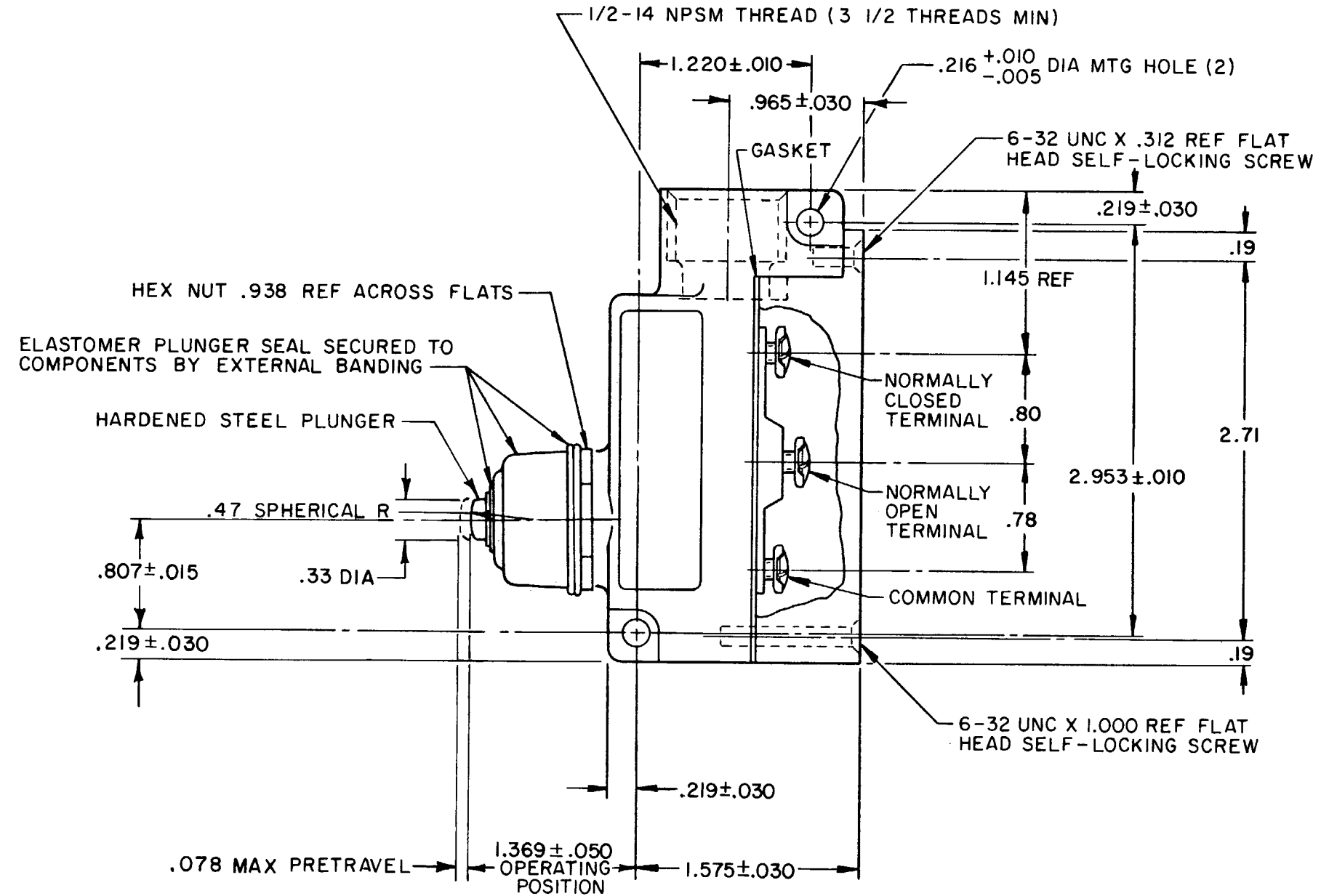
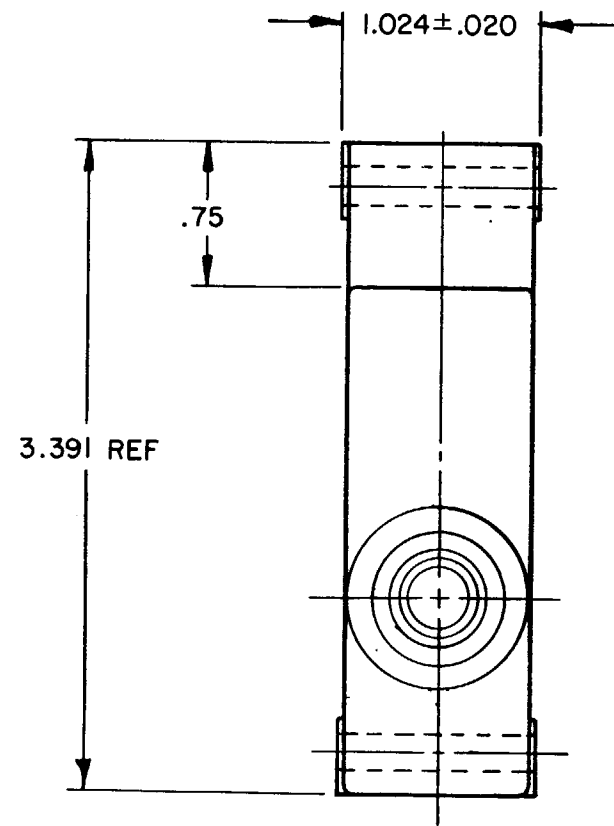
CATALOG LISTING
BZG1-2RN5243

M BZG1-2RN5243

REPLACES X69756 - BZG

RELEASE NO. PR-7934

DRAWING NUMBER
XX
 ISSUE
3

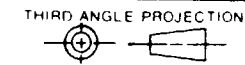


REVISIONS

A	CO-77179-C	MAM	12 MAR 94
B	0037167	SSK	14 FEB 08

WJM 12 JUN 79
 CEB 12 JUNE 79
 CHECK

THIS DRAWING COVERS A PROPRIETARY ITEM AND IS THE PROPERTY OF MICRO SWITCH, A DIVISION OF HONEYWELL. THIS DRAWING IS NOT TO BE COPIED OR USED WITHOUT THE APPROVAL OF MICRO SWITCH.



SCALE FULL			
DO NOT SCALE PRINT			
TOLERANCES			
APPLY TO DESIGN UNITS. CONVERSIONS ARE ONLY FOR REFERENCE. UNLESS NOTED, TOLERANCES ARE ±			
DIM.	TOL.	DIM.	TOL.
mm	mm/in	in	mm/in
NO PLACES	X	17.04	X X
ONE PLACE	X, X	0.41/018	X X X 0.81/03
TWO PLACES	X, XX	0.157/006	X X X X 0.387/015
THREE PLACES	X, XXX		X X X X X 0.137/005
ANGLES			
SI METRIC		US CUSTOMARY	
<input type="checkbox"/>		<input checked="" type="checkbox"/>	
RAW MATERIAL - COMMERCIAL STANDARD			
MICRO SWITCH STANDARDS APPLY			
DIMENSIONS ARE TO BE MET BEFORE PROTECTIVE COATINGS ARE APPLIED			
WEIGHT			

CHARACTERISTICS	ELECTRICAL DATA
OPERATING FORCE ----- 15-39 OZ	CONTACT ARRANGEMENT S P D T
RELEASE FORCE ----- 10 OZ MIN	
DIFFERENTIAL TRAVEL ----- .002 MAX	
OVERTRAVEL ----- .219 MIN	
SWITCH - BASIC REPLACEMENT - BZ - 2RN7243	

- NOTES
- 1 - 6-32 UNC X .219 REF BINDING HEAD TERMINAL SCREW AND CUPWASHER (3)
 - 2 - ZINC ENCLOSURE FINISHED WITH GRAY PAINT
 - 3 - SWITCH WILL WITHSTAND TEMPERATURE OF 400°F FOR 100 HOURS

FO-52851-A