

**BZE6-2RQ136**  
 PAGE 1 OF 1

**M**

DRAWING NUMBER

ISSUE **8**  
**9**

REVISIONS

A	CO-30200	SLB	30 AUG 77
B	CO53191F	TSK	13 APR 84
C	CO55989	JAS	6 NOV 84
D	CO54958	TSK	26 FEB 85
E	CO72618	LJF	11 SEP 92
F	CO82262	JAK	8 AUG 96
G	0016894	KRB	10 NOV 05
H	0033014	BS	29AUG07

REPLACES

RELEASE NO.

29AUG07

PSR

CHECK

77

ROB

CHECK

77

77

SEP

77

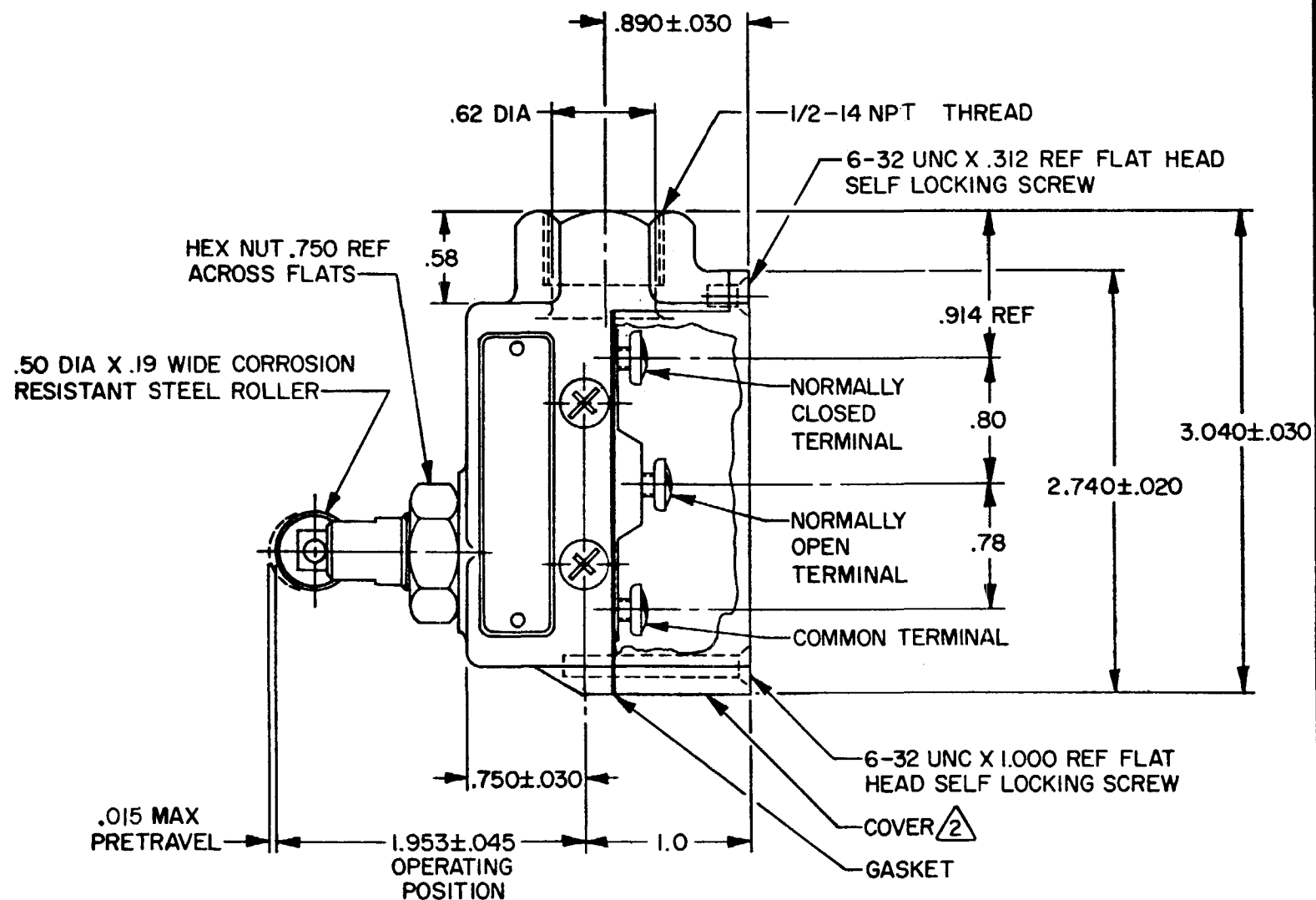
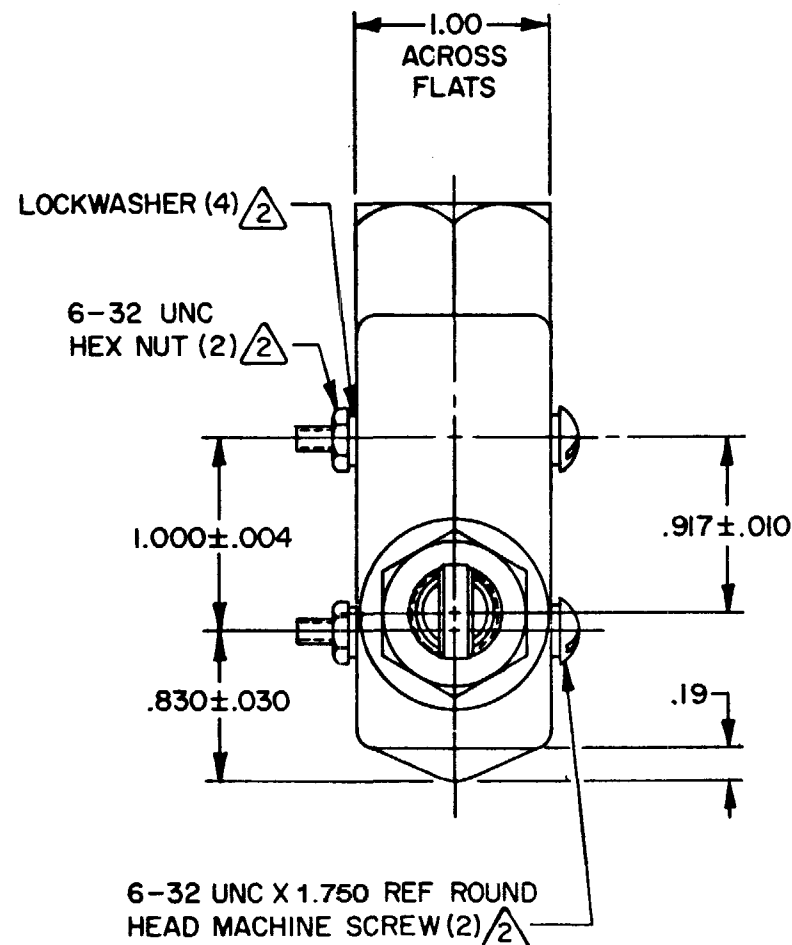
CHECK

77

30 AUG 77

SLB

RASTER



**NOTES**

- 1 - 6-32 UNC X .219 REF BINDING HEAD TERMINAL SCREW AND CUPWASHER (3)
- $\triangle 2$  FURNISHED UNASSEMBLED
- 3 - SEAL RATING: NEMA1  
IP40

THIS DRAWING COVERS A PROPRIETARY ITEM AND IS THE PROPERTY OF MICRO SWITCH, A DIVISION OF HONEYWELL. THIS DRAWING IS NOT TO BE COPIED OR USED WITHOUT THE APPROVAL OF MICRO SWITCH.

CHARACTERISTICS	ELECTRICAL DATA	SCALE FULL
OPERATING FORCE — — — — — 25-40 OZ	CONTACT ARRANGEMENT S P D T	DO NOT SCALE PRINT
RELEASE FORCE — — — — — 10 OZ MIN		UNLESS OTHERWISE NOTED
DIFFERENTIAL TRAVEL — — — — — .002 MAX	CODE L35	DIMENSIONS ARE IN INCHES
OVERTRAVEL — — — — — .140 MIN	5A-125, 250 OR 480 V C	<b>TOLERANCES ARE:</b>
BASIC SWITCH REPLACEMENT — — — — — BZ-2RQ773	1/2A-125 VDC; 1/4A-250 VDC	ONE PLACE (.0) $\pm$ .030
	CE 1.5A, 240 Vac	TWO PLACE (.00) $\pm$ .015
		THREE PLACE (.000) $\pm$ .005
		ANGLES $\pm$ .005
		WEIGHT .56 LB