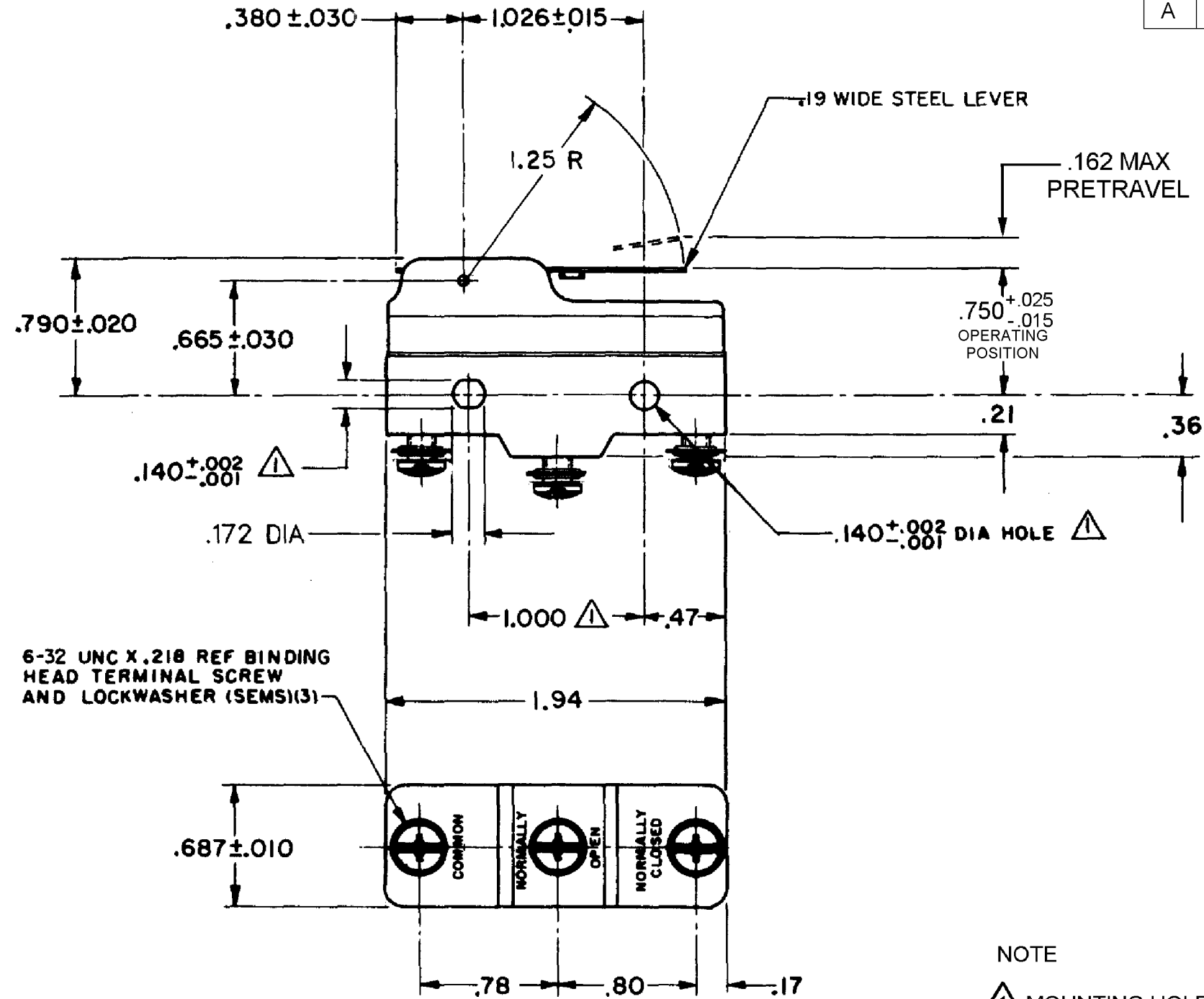


HONEYWELL PART NUMBER
BZ-2RW84512T
PRODUCT CODE
AQB1855

REV	DOCUMENT	CHANGED BY	CHECK
A	0038227	DVM 14MAR08	RJ



NOTE

▲ MOUNTING HOLES WILL ACCEPT PINS OR SCREWS OF .139MAX DIA ON 1.000±.002 CENTERS

THIS PRODUCT WILL HAVE THE FOLLOWING AGENCY APPROVALS, PER THE ELECTRICAL DATA SHOWN, AT THE TIME OF PRODUCT RELEASE: UL, CSA, ENEC-05 AND CE

CHARACTERISTICS
OPERATING FORCE ----- 2 Oz MAX
RELEASE FORCE ----- 1/4 Oz MIN
DIFFERENTIAL TRAVEL --- .004 - .025
OVER TRAVEL ----- .141 MIN

ELECTRICAL DATA
CONTACT ARRANGEMENT
S P D T
15A - 125, 250 OR 480 VAC, 1/8HP - 125 VAC; 1/4HP - 250 VAC CODE L 96 1/2A - 125 VDC; 1/4A - 250 VDC
-L288- 16A 250V ~ T85 5E4
-L306-
-L315-

DESIGN UNITS: INCH
TOLERANCES UNLESS NOTED:
NO PLACE X ± 0.040
ONE PLACE .X ± 0.030
TWO PLACE .XX ± 0.015
THREE PLACE .XXX ± 0.005
FOUR PLACE .XXXX ± 0.0005
ANGLES ± 2
THIRD ANGLE PROJECTION

DRAWN	DVM	19FEB08
CHECK	DARRYL BALLARD	19FEB08
THIS DRAWING COVERS A PROPRIETARY ITEM AND IS THE PROPERTY OF HONEYWELL. THIS DRAWING IS NOT TO BE COPIED OR USED WITHOUT THE PERMISSION OF HONEYWELL.		
INTERPRET PER ASME Y14.5M-1994 OTHER HONEYWELL ENGINEERING STANDARDS MAY APPLY		
RASTER		

<b>Honeywell</b>			
TITLE <b>SWITCH - BASIC</b>			
SIZE	TYPE	DRAWING NAME	REV
<b>B</b>	<b>I</b>	<b>BZ-2RW84512T</b>	<b>A</b>
SCALE	-	WEIGHT: .073 lb	SHEET 1 OF 1