



MICRO SWITCH
 FREEPORT, ILLINOIS, U.S.A.
 A DIVISION OF HONEYWELL

FED. MFG. CODE 91929

SWITCH - BASIC

CATALOG LISTING

BZ-2RS72-A2

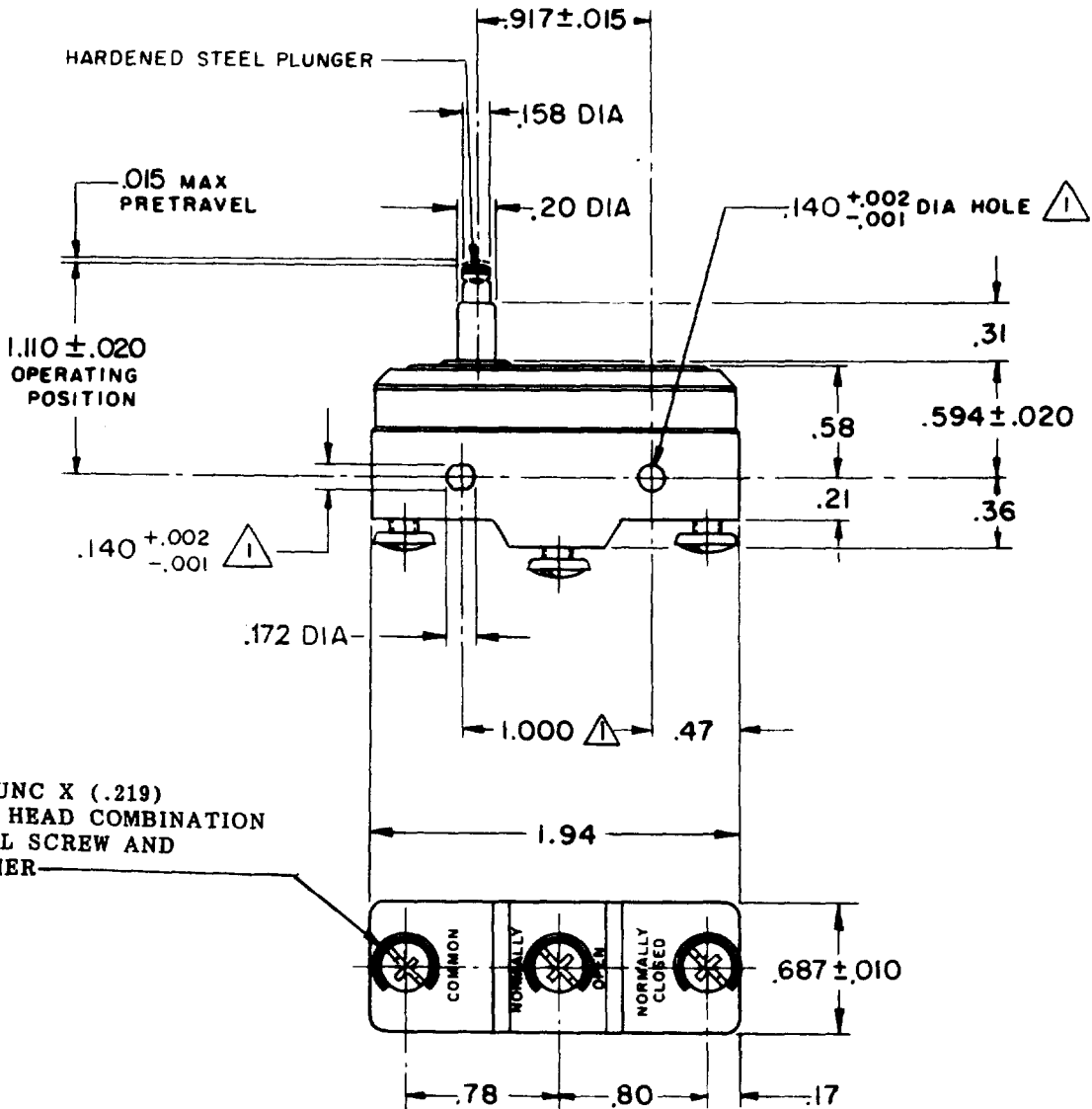
AMF6500

BZ-2RS72-A2
 PAGE 1 OF 1
 RELEASE NO. PR-3684

M
 DRAWING NUMBER
 ISSUE 12

REVISIONS
 L 0015929
 DVM 25 NOV 05
 B C027518
 L S D 28 JUN 70
 C 0028957
 GM JUNE 71
 D RE-INS ETS 31 JULY 72
 E C031576
 J A H 23 JAN 73
 F PR 3684
 G L H 28 NOV 73
 G 44136
 T M M 20 APR 78
 H CO-73289-J
 J A L 22 NOV 93
 J CO-77589
 K D R 29 MAR 94
 K C093346

CHECK 25 NOV 05
 CHECK RJ 22 JUL 64
 CHECK L S D 16 JUNE 64
 CHECK 19 AUG 98
 RASTER
 DRAWN
 RES



3X 6-32 UNC X (.219)
 BINDING HEAD COMBINATION
 TERMINAL SCREW AND
 CUPWASHER

NOTES
 ▲ MOUNTING HOLES WILL ACCEPT PINS OR SCREWS
 OF .139 MAX DIA ON 1.000 ± .002 CENTERS.
 2- CONTACT MATERIAL - GOLD ALLOY

THIS DRAWING COVERS A PROPRIETARY ITEM AND IS THE PROPERTY OF MICRO SWITCH, A DIVISION OF MINNEAPOLIS-HONEYWELL REGULATOR CO. THIS DRAWING IS NOT TO BE COPIED OR USED WITHOUT THE APPROVAL OF MICRO SWITCH.

CHARACTERISTICS	ELECTRICAL DATA	SCALE FULL
OPERATING FORCE ----- 9-13 OZ	CONTACT ARRANGEMENT S P D T	DO NOT SCALE PRINT
RELEASE FORCE ----- 4 OZ MIN	CODE L22 1A-125 VAC 1A 250V ~ T85 25E3	UNLESS OTHERWISE NOTED DIMENSIONS ARE IN INCHES TOLERANCES ARE:
DIFFERENTIAL TRAVEL -- .0004 - .0020		ONE PLACE (.0) ± .030
OVERTRAVEL ----- .060 MIN		TWO PLACE (.001) ± .015
		THREE PLACE (.000) ± .008
		ANGLES ±
		WEIGHT