



MICRO SWITCH

FREEPORT, ILLINOIS, U.S.A.
A DIVISION OF HONEYWELL

FED. MFG. CODE 91929

CATALOG LISTING

9PA15

PACKET

9 PA15

M

DRAWING
NUMBER

X

X

ISSUE
5

REPLACES

RELEASE NO.

CHECK

CHECK

4 APR 64

DAW

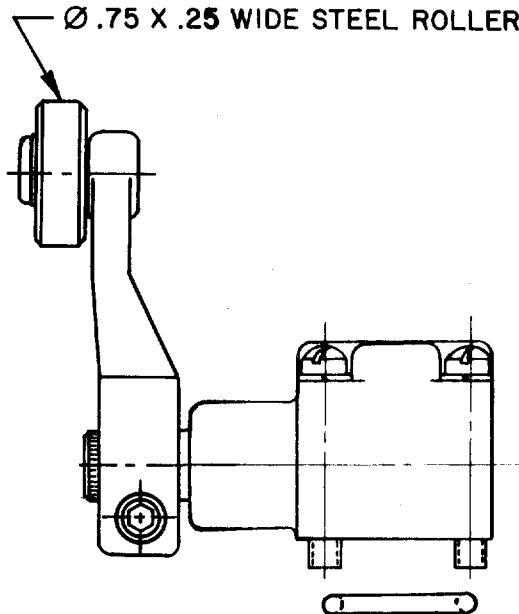
CHECK

26 MAR 64

VDF

FO-80378

DRAWN



NOTE -
1- SEAL RING FURNISHED UNASSEMBLED WITH PACKET

THIS DRAWING COVERS A PROPRIETARY ITEM AND IS THE PROPERTY OF MICRO SWITCH, A DIVISION OF MINNEAPOLIS-HONEYWELL REGULATOR CO. THIS DRAWING IS NOT TO BE COPIED OR USED WITHOUT THE APPROVAL OF MICRO SWITCH.

CHARACTERISTICS

ELECTRICAL DATA

SCALE

CONTACT ARRANGEMENT

DO NOT SCALE PRINT

UNLESS OTHERWISE NOTED

DIMENSIONS ARE IN INCHES

TOLERANCES ARE:

ONE PLACE	(.0)	±.030
TWO PLACE	(.00)	±.015
THREE PLACE	(.000)	±.005
ANGLES		±

WEIGHT