

MICRO SWITCH

FREEPORT ILLINOIS, U.S.A
A DIVISION OF HONEYWELL INC.
FED. MFG. CODE 91929

SMALL PRECISION LIMIT SWITCH

CATALOG LISTING
914CE19-9A

914CE19-9A

M

DRAWING
NUMBER

ISSUE

REPLACES

RELEASE NO. PR-16012

CHECK

CHECK

87

DEC

AM

16

DEC

87

CHECK

87

DEC

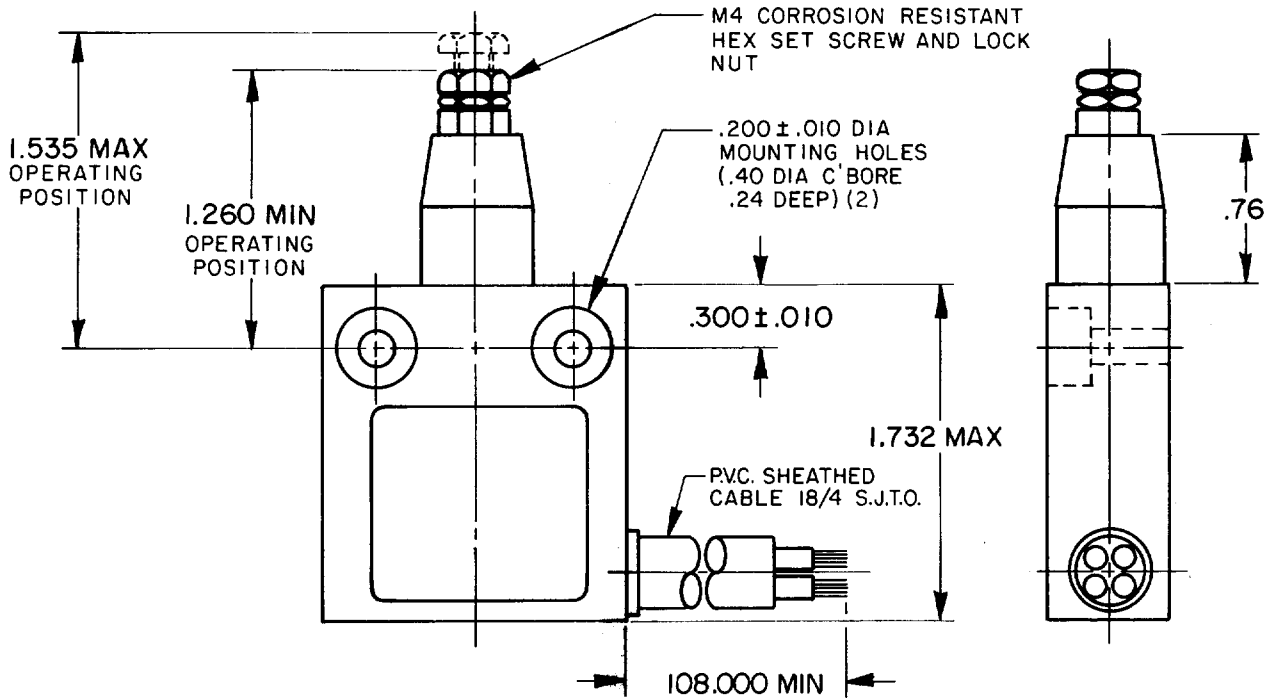
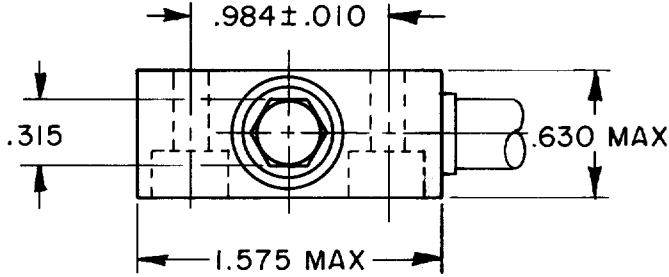
AM

16

DEC

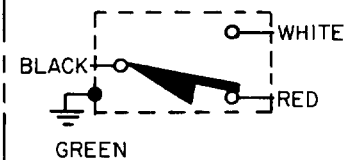
87

CHECK



NOTE

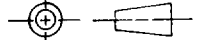
- 1 - ZINC HOUSING FINISHED WITH GREY PAINT
- 2 - SIDE EXIT CABLE



CIRCUIT DIAGRAM

THIS DRAWING COVERS A PROPRIETARY ITEM AND IS THE PROPERTY OF MICRO SWITCH, A DIVISION OF HONEYWELL. THIS DRAWING IS NOT TO BE COPIED OR USED WITHOUT THE APPROVAL OF MICRO SWITCH.

THIRD ANGLE PROJECTION



CHARACTERISTICS

OPERATING FORCE ----- 5 LB MAX

DIFFERENTIAL TRAVEL ----- .004 MAX

OVERTRAVEL ----- .118 MIN

ELECTRICAL DATA

CONTACT ARRANGEMENT
S P D T

5A - 250 VAC
1/10 HP - 125 OR 250 VAC
LR-15775



SCALE FULL

DO NOT
SCALE PRINT

UNLESS OTHERWISE SPECIFIED
TOLERANCES ARE

ONE PLACE	(.0)	± .030
TWO PLACE	(.00)	± .015
THREE PLACE	(.000)	± .005
ANGLES		±

WEIGHT

FO-52848-B

DRAWN

J A S

II

DEC

87

CHECK