

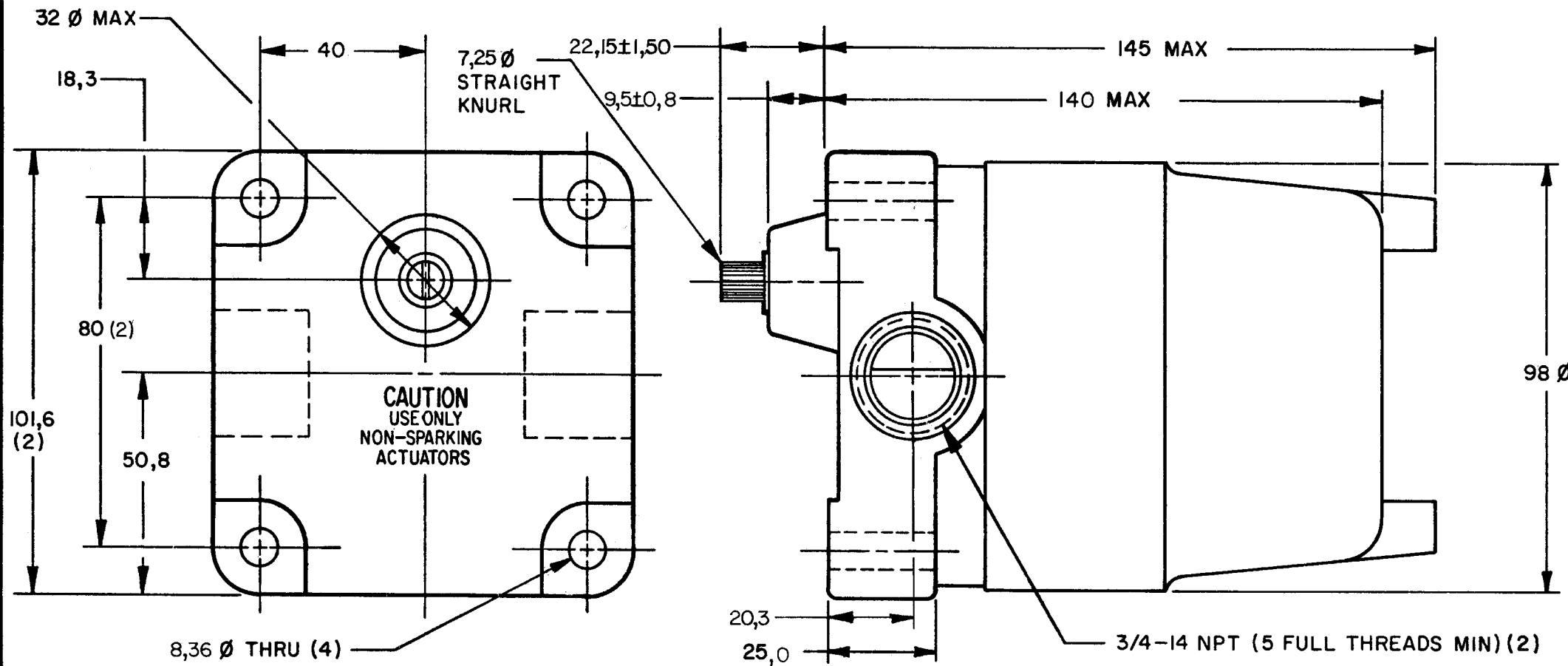
MICRO SWITCH
 FREEPORT ILLINOIS U S A
 A DIVISION OF HONEYWELL
 FED. MFG. CODE 91929

SWITCH-ENCLOSED

CATALOG LISTING
82CX SERIES
 CHART 1

CONVERSION CHART

7,25	.285
7,92	.312
8,36	.33
9,5±0,8	.370±.032
18,3	.72
20,3	.80
22,15±1,50	.870±.059
25,0	.98
32,0	1.26
40,0	1.57
50,8	2.00
80,0	3.15
98,0	3.86
101,6	4.00
140,0	5.51
145,0	5.71
1,25 Nm	.922 PF
0,113 Nm	.083 PF
4,0 Kg	8.82 LB



NOTES

- 1 - EXPLOSION PROOF-UNDERWRITERS LAB INC LISTING FOR HAZARDOUS LOCATIONS CLASS I, GROUPS C AND D; CLASS II, GROUPS E, F AND G
 - 2 - BRONZE ENCLOSURE
 - 3 - 6-32 UNC X 7,92 PAN HEAD TERMINAL SCREW AND LOCKWASHER (SEMS TERMI-LOX) (3 PER BASIC)
 - 4 - CAMS MAY BE REPOSITIONED IN 7°20' INCREMENTS
 - 5 - FOR USE IN TEMPERATURES UP TO 85°C
- ⚠ SEE (M) 7CX CHART 3 FOR LEVER ACTUATORS

THIS DRAWING COVERS A PROPRIETARY ITEM AND IS THE PROPERTY OF MICRO SWITCH, A DIVISION OF HONEYWELL. THIS DRAWING IS NOT TO BE COPIED OR USED WITHOUT THE APPROVAL OF MICRO SWITCH.

CHARACTERISTICS 82CX	
OPERATING FORCE	-----1,25 Nm MAX
RELEASE FORCE	-----,113 Nm MIN
PRETRAVEL	----- 15° MAX
DIFFERENTIAL TRAVEL	----- 10° MAX
OVERTRAVEL	----- 90° MIN

THIRD ANGLE PROJECTION

CONTACT ARRANGEMENT
 S P D T
 (EACH BASIC)

SCALE 3/4 TO 1			
DO NOT SCALE PRINT			
TOLERANCES			
APPLY TO DESIGN UNITS. CONVERSIONS ARE ONLY FOR REFERENCE. UNLESS NOTED, TOLERANCES ARE 2			
DIM.	TOL.	DIM.	TOL.
mm	mm/in	in	mm/in
NO PLACES	X	1/04	
ONE PLACE	X,X	0,4/016	X,X 0,8/003
TWO PLACES	X,XX	0,15/006	X,XX 0,38/015
THREE PLACES	X,XXX		X,XXX 0,15/006
ANGLES			
DESIGN UNITS		SI METRIC <input checked="" type="checkbox"/> US CUSTOMARY <input type="checkbox"/>	
RAW MATERIAL-COMMERCIAL STANDARD MICRO SWITCH STANDARDS APPLY			
DIMENSIONS ARE TO BE MET BEFORE PROTECTIVE COATINGS ARE APPLIED			
WEIGHT 4.0 Kg APPROX			

CAT. LIST. ⚠	DESCRIPTION	ELECTRICAL DATA
82CX2	2 BASICS; EACH OPERATES CLOCKWISE & COUNTER CLOCKWISE	UL LISTED-FILE E14274. CODE -L23-20A-125, 250 or 480 VAC 10A-125 VAC "L" 1HP-125 VAC, 2HP-250 VAC 1/2 A-125 VDC; 1/4 A-250 VDC Ⓢ
Ⓚ	3 BASICS; EACH OPERATES CLOCKWISE & COUNTER CLOCKWISE	
	4 BASICS; EACH OPERATES CLOCKWISE & COUNTER CLOCKWISE	
	2 BASICS; 1 OPERATES CLOCKWISE ONLY; 1 OPERATES COUNTER CLOCKWISE ONLY	
	4 BASICS; 2 OPERATE CLOCKWISE ONLY; 2 OPERATE COUNTER CLOCKWISE ONLY	

FORMTEK DRAWN R J H 15 OCT 80
 CHECK G L H 20 OCT 80
 CHECK CO 81401 20 OCT 80
 CHECK CO 53444 23 JAN 84
 CHECK CO 057575 1 JULY 85
 CHECK CO 058369 20 NOV 85
 CHECK CO 61401 16 APR 87
 CHECK CO 077459 7 JUN 94
 CHECK CO 80111 21 MAR 95
 CHECK CO 91491 3 FEB 98
 ISSUE 1011
 DRAWING NUMBER
 82CX SERIES CHART 1
 REPLACES PR-9481
 RELEASE NO. PR-9481