

MICRO SWITCH
a Honeywell Division

FED. MFG. CODE 91929

SWITCH - BASIC

CATALOG LISTING

6HM48-1

CATALOG LISTING
6HM48-1

PAGE 1 OF 1

ISSUE **8**

REPLACES

RELEASE NO. PR-3005

CHECK

REVISIONS

A	OBS C067958
	SLB 18 JUN 91
B	REINST PR19355
	MAM 21 JUN 91
C	CO- 71228
	TSM 5 NOV 91
D	CO- 80788
	SAD 25 APR 95

CHECK

25 JUN 91

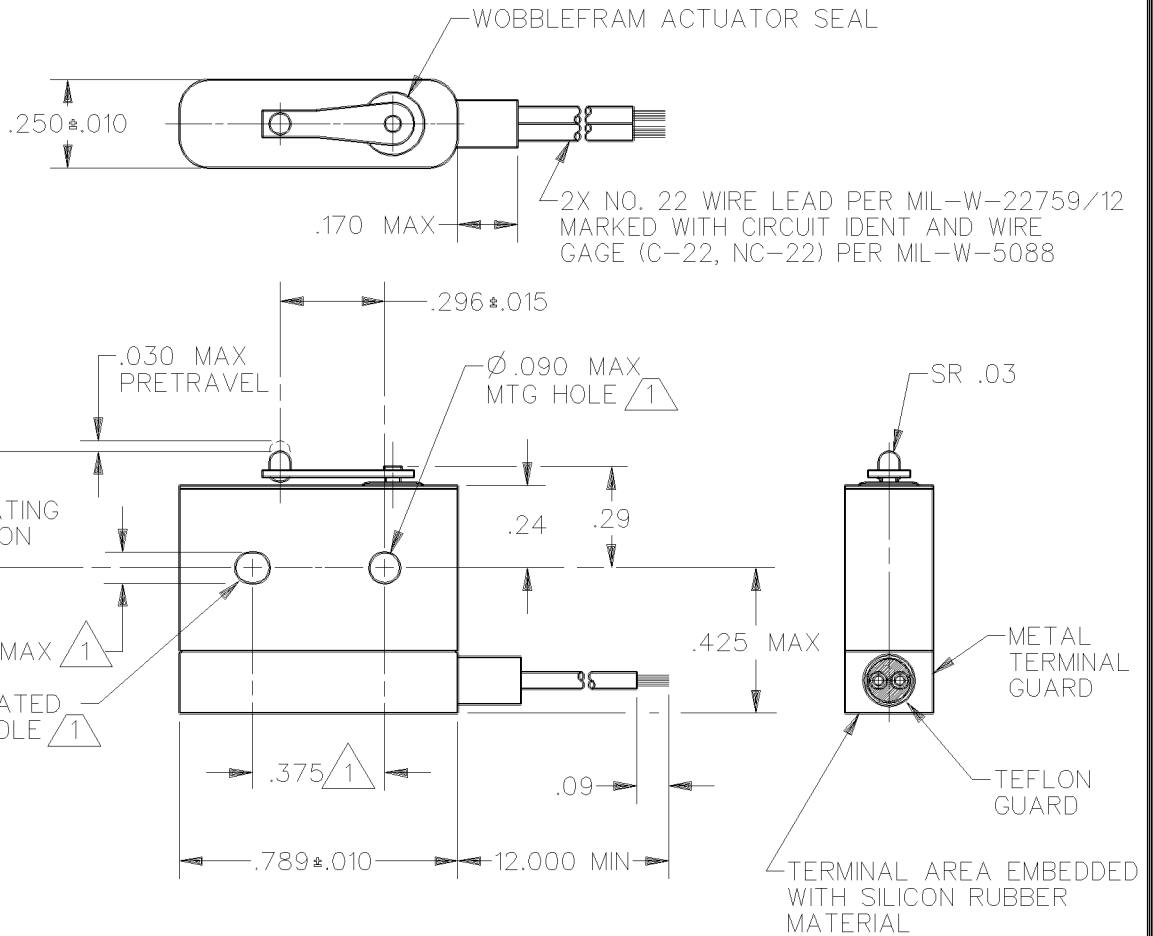
DAW

CHECK

21 JUN 91

DRAWN

DDM/CAD



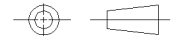
NOTES

- (1) MOUNTING HOLES WILL ACCEPT PINS OR SCREWS OF Ø .087 MAX ON .375 ± .002 CENTERS
- 2 - FOR USE IN TEMPERATURE RANGE -85°F TO +500°F (DOWN TO -300°F IF WIRE LEADS ARE NOT FLEXED)
- 3 - HERMETICALLY SEALED (METAL TO METAL, METAL TO GLASS)
- 4 - ALL EXPOSED PARTS ARE OF CORROSION RESISTANT MATERIALS
- (5) WEIGHT OF SWITCH ONLY IS 0.22 OZ MAX. WEIGHT OF CONDUCTOR GROUP ONLY IS 0.14 OZ MAX PER FOOT
- 6 - DO NOT APPLY MORE THAN 1 1/2 INCH LBS OF TORQUE WHEN TIGHTENING MOUNTING SCREWS

ANSI Y14.5M-1982 APPLIES

THIS DRAWING COVERS A PROPRIETARY ITEM AND IS THE PROPERTY OF MICRO SWITCH, A DIVISION OF HONEYWELL. THIS DRAWING IS NOT TO BE COPIED OR USED WITHOUT THE APPROVAL OF MICRO SWITCH.

THIRD ANGLE PROJECTION



CHARACTERISTICS	ELECTRICAL DATA			SCALE 2:1	DO NOT SCALE PRINT
OPERATING FORCE — — — 7 OZ MAX	CONTACT ARRANGEMENT S P N C			UNLESS OTHERWISE SPECIFIED TOLERANCES ARE	
RELEASE FORCE — — — 1 OZ MIN	LINE VOLTAGE	INDUCTIVE LOAD	RESISTIVE LOAD		
DIFFERENTIAL TRAVEL — — — .006 MAX	28 VDC	2 AMP	4 AMP	TWO PLACE (.00) ±.015	
OVERTRAVEL — — — .003 MIN	115 VAC (400 CYCLE)	2 1/2 AMP	2 1/2 AMP	THREE PLACE (.000) ±.005	
				ANGLES ±	
				WEIGHT (5)	