

MICRO SWITCH

A DIVISION OF MINNEAPOLIS-HONEYWELL REGULATOR COMPANY
PRASPORT, ILLINOIS

FED. MFR. CODE 91929

ASSEMBLY- TOGGLE SWITCH

CATALOG LISTING

6AT42

(M) SKETCH 14282
ISSUE 1

6AT42

M

DRAWING
NUMBER

ISSUE

X2

X5

REPLACES

RELEASE NO. SR-5931

CNT 26 Nov. 56

CHECK

J.S.S. 27 Nov. 56

CHECK

ECH 26 Nov. 56

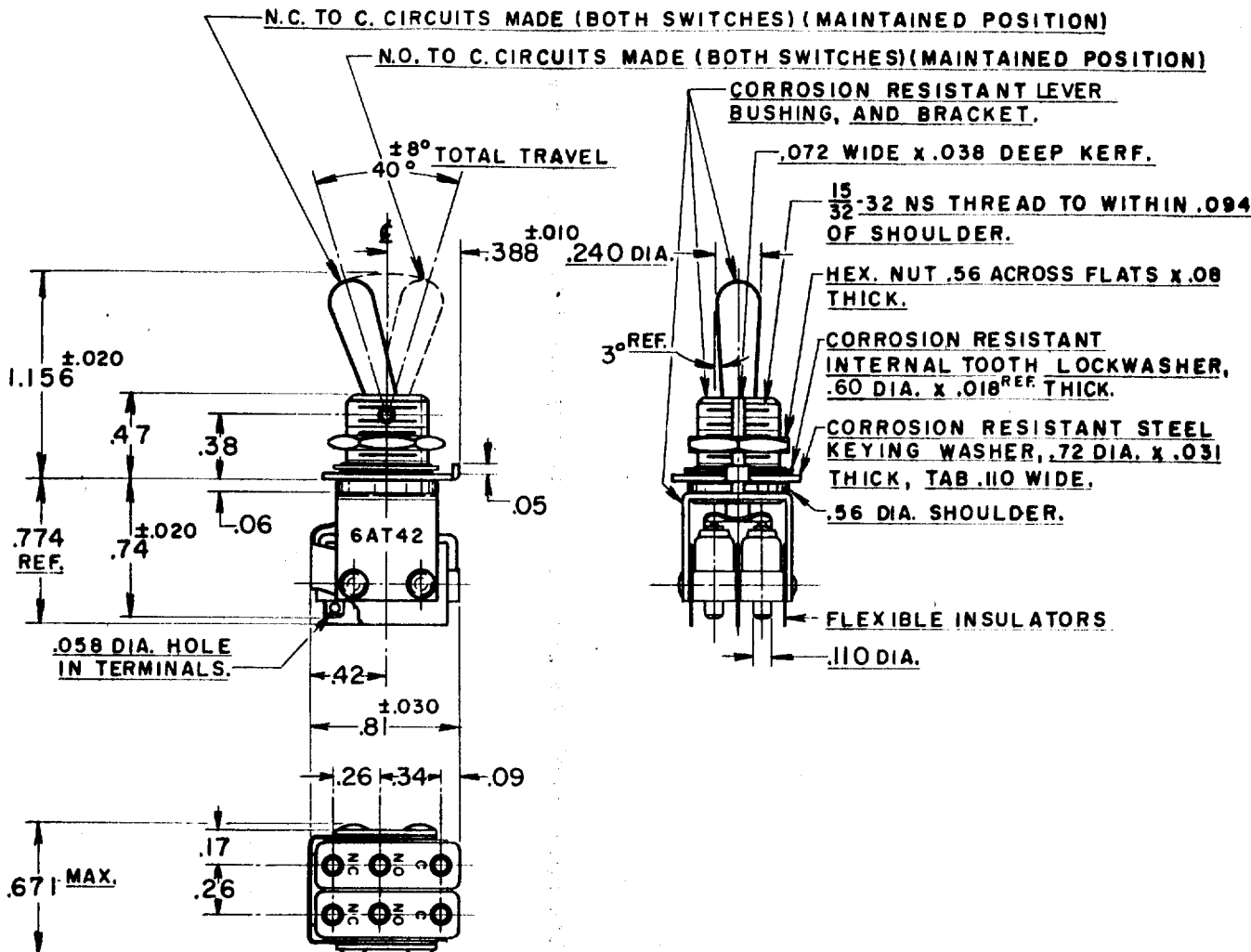
CHECK

NOV. 56

K.A.E. 1

DRAWN

FO-80378



NOTE -

- 1- UNIT INCLUDES (2) CAT. LIST. 1SM23 BASIC SWITCH.
- 2- SWITCHES DO NOT NECESSARILY OPERATE SIMULTANEOUSLY.
- 3- TERMINALS ARE PLATED FOR SOLDERING.
- 4- BASIC SWITCHES HAVE 24 K. SOLID GOLD CONTACTS.

THIS DRAWING COVERS A PROPRIETARY ITEM AND IS THE PROPERTY OF MICRO SWITCH. A DIVISION OF HONEYWELL. THIS DRAWING IS NOT TO BE COPIED OR USED WITHOUT THE APPROVAL OF MICRO SWITCH.

CHARACTERISTICS

ELECTRICAL DATA

SCALE - FULL

CONTACT ARRANGEMENT
S. P. D. T. (2)

DO NOT SCALE PRINT

UNLESS OTHERWISE SPECIFIED
DIMENSIONS ARE IN INCHES
TOLERANCES ARE:

ONE PLACE (.0) ±.030
TWO PLACE (.00) ±.015
THREE PLACE (.000) ±.005
ANGLES ±

WEIGHT .06 LB.

(A)