

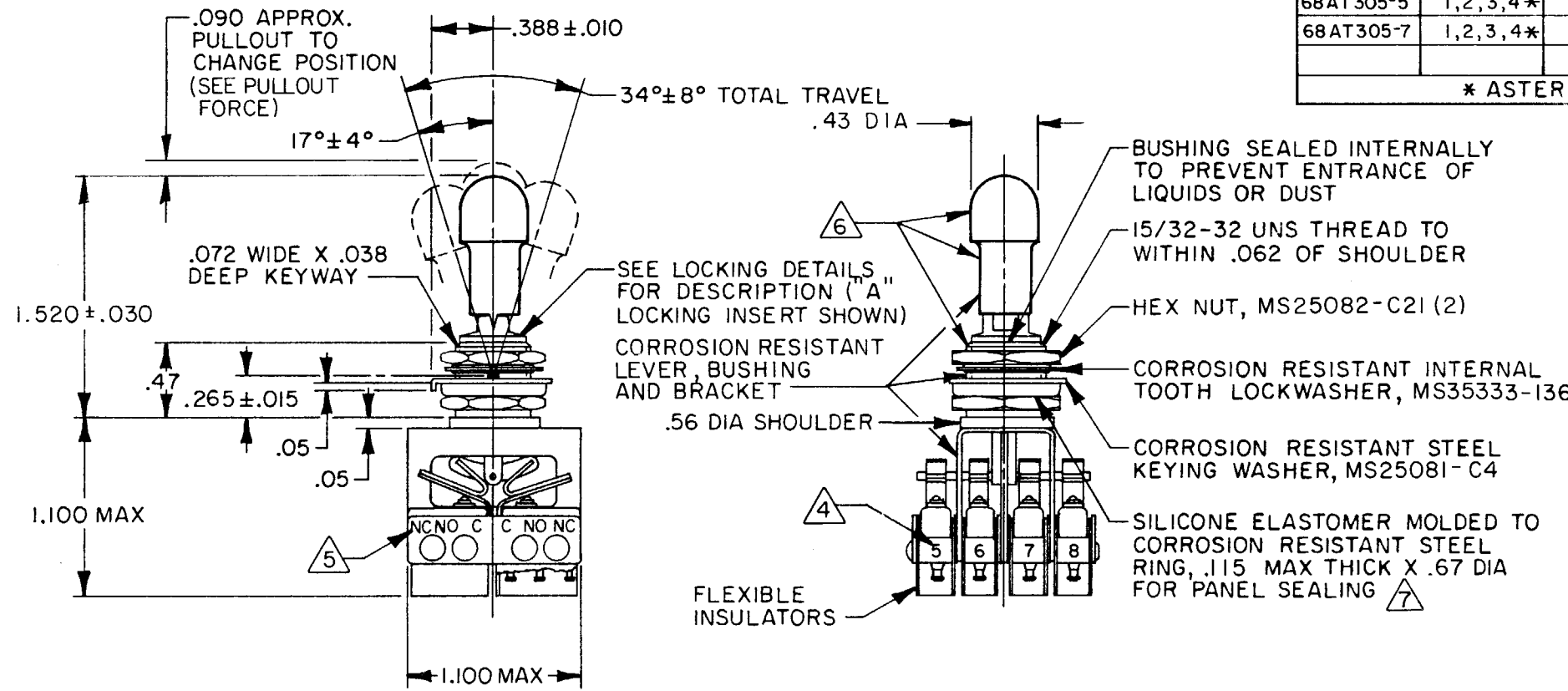
MICRO SWITCH
 FREEPORT, ILLINOIS, U.S.A.
 A DIVISION OF HONEYWELL
 FED. MFG. CODE 91929

**ASSEMBLY -
 TOGGLE SWITCH**

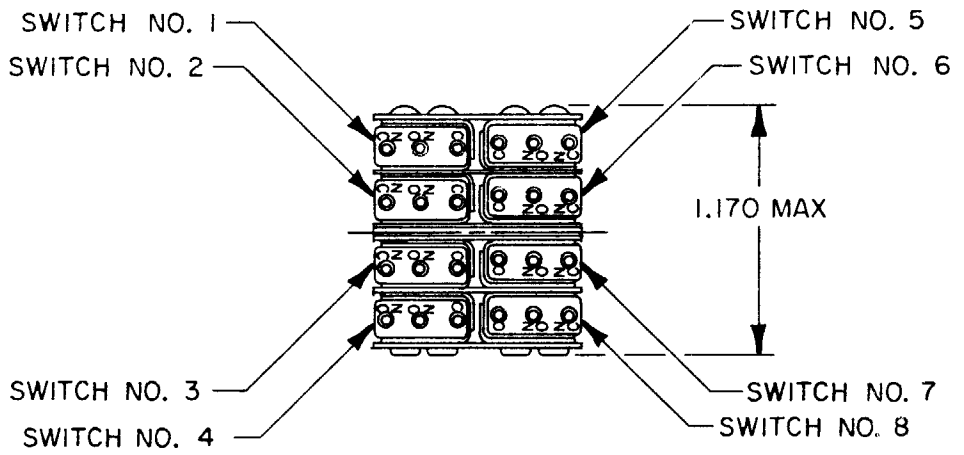
CATALOG LISTING
68AT305 SERIES
CHART 2

CATALOG LISTING	KEYWAY POSITION		CENTER POSITION		OPPOSITE KEYWAY POSITION		RECOMMENDED LOCKING COMBINATIONS
	C-NC	C-NO	C-NO	C-NC	C-NC	C-NO	
68AT305-1	1,2,3,4	5,6,7,8	NONE	ALL	5,6,7,8	1,2,3,4	A,B,D,E,F,G,H,J,K,L,M,N,P
68AT305-3	1,2,3,4	5,6,7,8	NONE	NONE	5,6,7,8	1,2,3,4	D,F,G
68AT305-5	1,2,3,4*	5,6,7,8*	NONE	ALL	5,6,7,8	1,2,3,4	E,F,K,L,M,N
68AT305-7	1,2,3,4*	5,6,7,8*	NONE	ALL	5,6,7,8*	1,2,3,4*	E,L,N

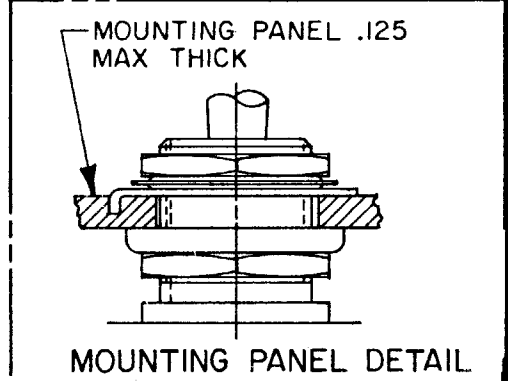
* ASTERISK DENOTES MOMENTARY POSITION



"A" LOCKED IN THREE POSITIONS	"B" LOCKED IN CENTER AND EXTREME POSITION (KEYWAY SIDE)	"D" LOCKED OUT OF CENTER POSITION	"E" LOCKED IN CENTER POSITION
"F" LOCKED IN EXTREME POSITION (OPPOSITE KEYWAY)	"G" LOCKED IN EXTREME POSITION (KEYWAY SIDE)	"H" LOCKED OUT OF CENTER AND EXTREME POSITION (KEYWAY SIDE)	"J" LOCKED OUT OF CENTER AND EXTREME POSITION (OPPOSITE KEYWAY)
"K" LOCKED IN CENTER AND EXTREME POSITION (OPPOSITE KEYWAY)	"L" LOCKED OUT OF EXTREME POSITION (KEYWAY SIDE)	"M" LOCKED OUT OF AND INTO EXTREME POSITION (OPPOSITE KEYWAY)	"N" LOCKED OUT OF EXTREME POSITION (OPPOSITE KEYWAY)
			"P" LOCKED OUT OF AND INTO EXTREME POSITION (KEYWAY SIDE)



- NOTES**
- UNIT INCLUDES "SX" TYPE BASIC SWITCH (8)
 - SWITCHES DO NOT NECESSARILY OPERATE SIMULTANEOUSLY
 - TERMINALS ARE PLATED FOR SOLDERING
 - SWITCH NUMBERS STAMPED ON END OF BASIC SWITCHES
 - TERMINAL DESIGNATION STAMPED ON BOTH SIDES OF UNIT
 - DULL FINISH ON BUTTON, LEVER, AND BUSHING
 - FOR PANEL SEAL TO BE EFFECTIVE MOUNTING HOLE IN PANEL SHOULD NOT EXCEED .500 DIA
 - SUFFIX LETTER MUST BE ADDED FOR DESIRED TYPE TOGGLE LOCKING (SEE CHART FOR RECOMMENDED LOCKING COMBINATIONS)
 - SWITCH MEETS REQUIREMENTS OF MIL-PRF-8805/98 EXCEPT INITIAL CONTACT RESISTANCE IS 50 MILLIOHMS MAX AND FINAL CONTACT RESISTANCE AFTER MECHANICAL ENDURANCE IS 500 MILLIOHMS MAX



68AT305 SERIES CHART 2
 M
 DRAWING NUMBER
 A
 ISSUE
 REVISIONS
 CHECK
 30JUN03
 SAV
 CHECK
 30JUN03
 JLH
 DRAWN
 RASTER

THIS DRAWING COVERS A PROPRIETARY ITEM AND IS THE PROPERTY OF MICRO SWITCH. A DIVISION OF HONEYWELL. THIS DRAWING IS NOT TO BE COPIED OR USED WITHOUT THE APPROVAL OF MICRO SWITCH.

CHARACTERISTICS	ELECTRICAL DATA
PULLOUT FORCE - 3 LB MIN - 5 LB MAX	CONTACT ARRANGEMENT S P D T (8)

SCALE FULL

DO NOT SCALE PRINT

TOLERANCES
 APPLY TO DESIGN UNITS. CONVERSIONS ARE ONLY FOR REFERENCE. UNLESS NOTED, TOLERANCES ARE ±

DIM.	TOL.	DIM.	TOL.
mm	mm/in	in	mm/in
NO PLACES	X	17.04	
ONE PLACE	X,X	0.47,018	X,X 0.87,03
TWO PLACES	X,XX	0.187,006	X,XX 0.387,015
THREE PLACES	X,XXX	0.137,005	X,XXX 0.137,005

SI METRIC US CUSTOMARY

DESIGN UNITS THIRD ANGLE PROJECTION

WEIGHT .09 LB EST

LOAD	ELECTRICAL RATINGS		
	28 Vdc (AMPERES)	115 Vac, 60 Hz (AMPERES)	50,000 FT 28 Vdc (AMPERES)
RESISTIVE	7	7	4
INDUCTIVE	4	7	2.5