

MICRO SWITCH
 FREEPORT, ILLINOIS, U.S.A.
 A DIVISION OF HONEYWELL
 FED. MFG. CODE 91929

**ASSEMBLY -
 TOGGLE SWITCH**

CATALOG LISTING
66AT851-105P

KEYWAY POSITION		CENTER POSITION		OPPOSITE KEYWAY POSITION	
C-NO	C-NC	C-NO	C-NC	C-NO	C-NC
NONE	ALL	ALL*	NONE	4,5,6	1,2,3

* ASTERISK DENOTES MOMENTARY POSITION

CATALOG LISTING
66AT851-105P

PAGE 1 OF 1

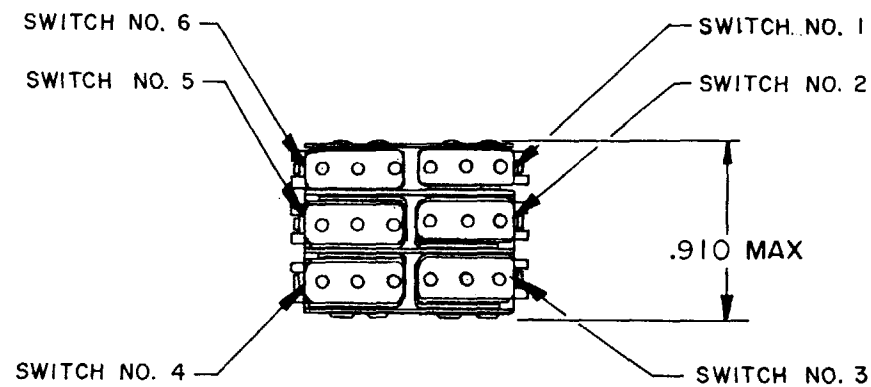
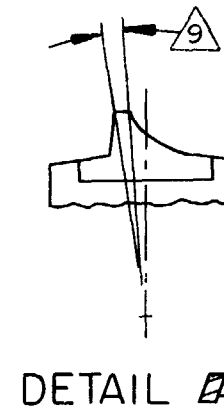
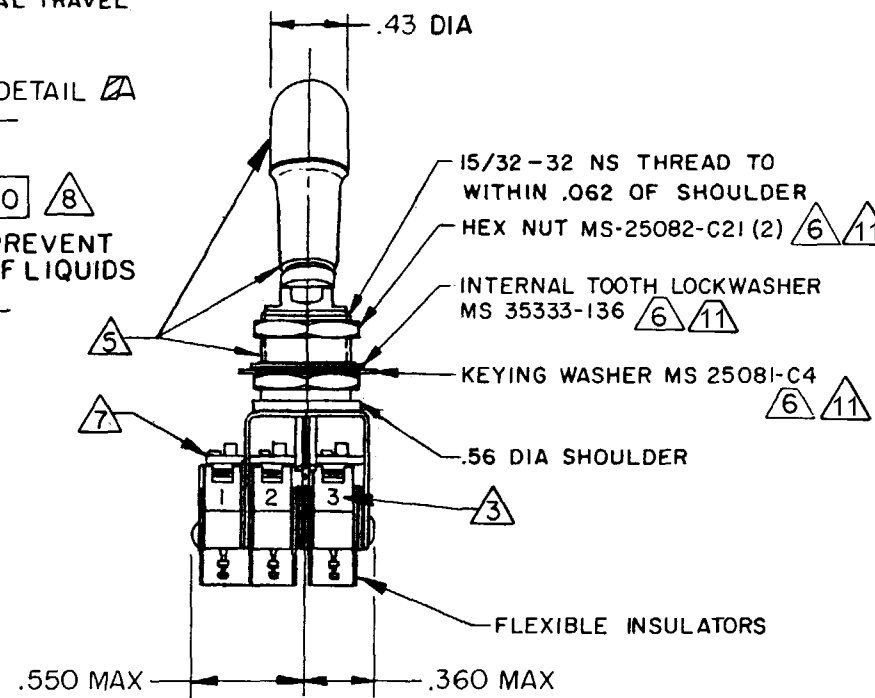
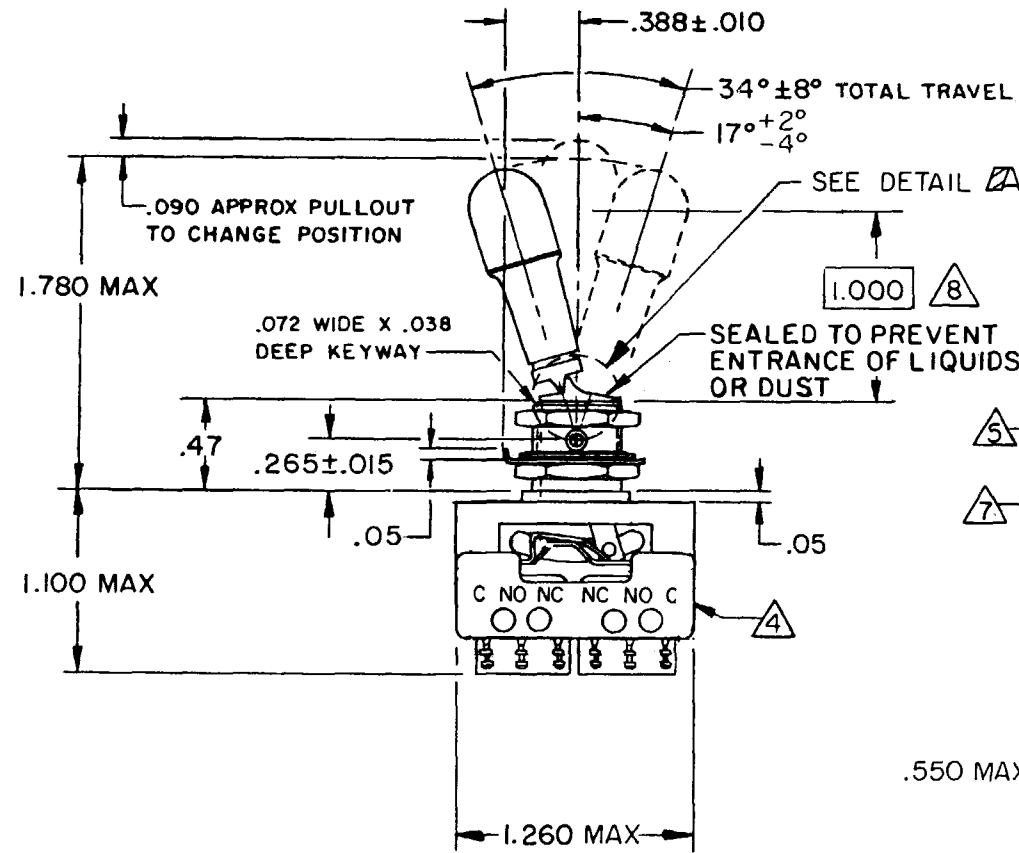
ISSUE
M
 8

REVISIONS

A	PR18328	S L B	18 MAY 90
B	CO68875	S A V	14 DEC 90
C	CO69801	S A V	18 MAR 91
D	CO71612	T S M	7 DEC 91
E	CO-92181	J A S	8 JUN 98
F	207109	MDM	8 JAN 03

DRAWN
 RASTER
 S L B 18 MAY 90

REPLACES
 RELEASE NO. PR-18328
 CHECK
 21 MAY 90



NOTES

- 1 - UNIT INCLUDES 313SX TYPE BASIC SWITCH (6) (MEETS REQUIREMENTS OF MIL-PRF-8805)
- 2 - SWITCHES DO NOT NECESSARILY OPERATE SIMULTANEOUSLY
- 3 - SWITCH NUMBERS STAMPED ON END OF BASIC SWITCHES
- 4 - TERMINAL DESIGNATION STAMPED ON BOTH SIDES ON UNIT
- 5 - DULL FINISH ON LEVER, BUSHING AND BUTTON
- 6 - DULL BLACK OXIDE FINISH
- 7 - END OF ROLL PIN MUST NOT EXTEND BEYOND OUTSIDE SURFACE OF GUARD
- 8 - OPERATE FORCE IS MEASURED AT THIS POINT IN UNLOCKED POSITION WITH NO CONTACT BETWEEN LEVER AND LOCKING MECHANISM
- 9 - ALL BASICS MUST OPERATE WITH END OF LEVER IN THIS AREA
- 10 - BASICS #1, 2 & 3 MUST REMAIN NC UNTIL AFTER 5.5° MIN TRAVEL FROM EXTREME POSITION (OPPOSITE KEYWAY SIDE)
- 11 - HARDWARE FURNISHED ASSEMBLED WITH SWITCH OR IN PACKET PER MIL-PRF-8805

THIS DRAWING COVERS A PROPRIETARY ITEM AND IS THE PROPERTY OF MICRO SWITCH, A DIVISION OF HONEYWELL. THIS DRAWING IS NOT TO BE COPIED OR USED WITHOUT THE APPROVAL OF MICRO SWITCH.

CHARACTERISTICS (8)
 OPERATING FORCE--40 OZ MAX

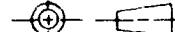
ELECTRICAL DATA
 CONTACT ARRANGEMENT
 S P D T (6)

SCALE FULL

DO NOT SCALE PRINT

UNLESS OTHERWISE SPECIFIED TOLERANCES ARE
 ONE PLACE (.0) ± .030
 TWO PLACE (.00) ± .015
 THREE PLACE (.000) ± .005
 ANGLES ±

THIRD ANGLE PROJECTION



WEIGHT

GOLD CONTACT BASIC SWITCH

VOLTS	CYCLE	AMPERES SEA LEVEL				50,000 FT			
		RES	IND			RES	IND		
28	DC	1.0	0.5			1.0	0.5		

NOTE: INDUCTIVE LOADS: 28 VDC USE AN3179-6 INDUCTOR, 115 VAC AT 75% P F