

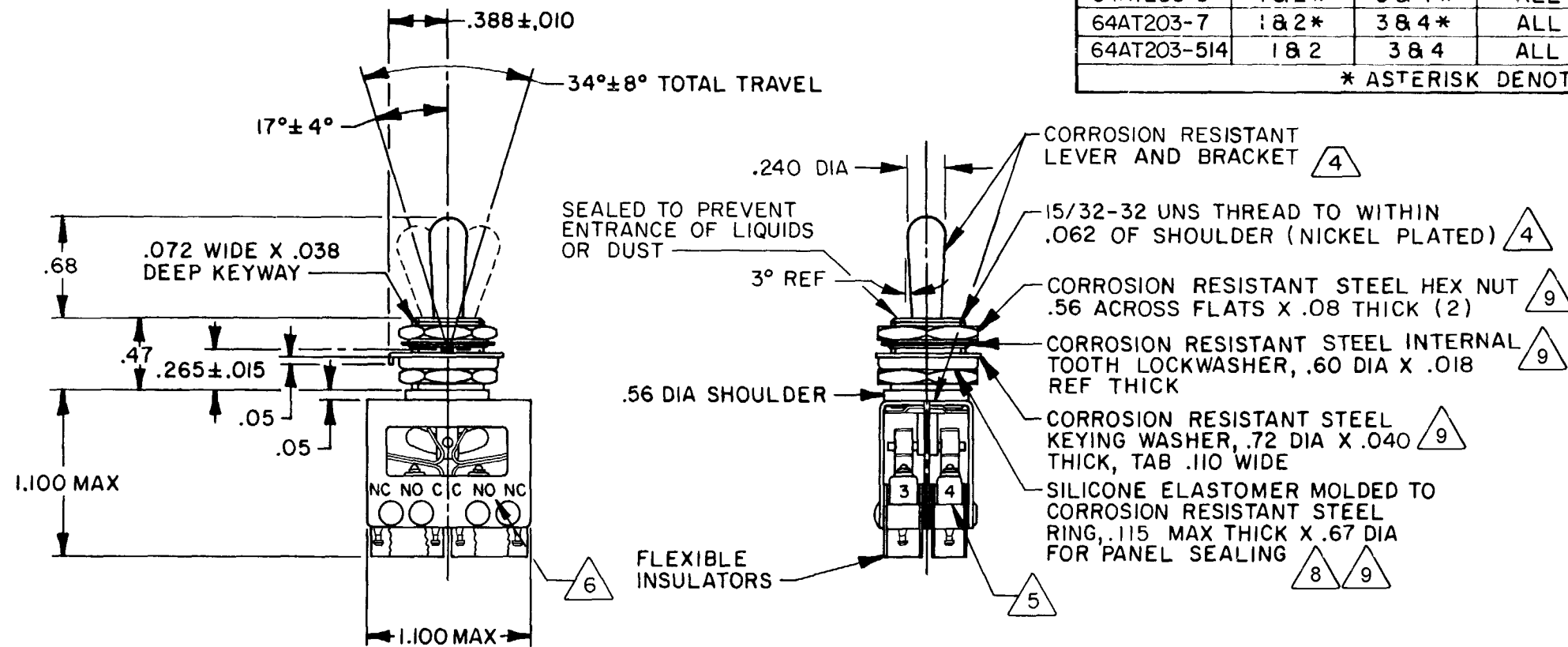
**MICRO SWITCH**  
 FREEPORT ILLINOIS U.S.A.  
 A DIVISION OF HONEYWELL  
 FED. MFG. CODE 81929

**ASSEMBLY -  
 TOGGLE SWITCH**

CATALOG LISTING  
**64AT203 SERIES**  
**CHART 1**

CATALOG LISTING	KEYWAY POSITION		CENTER POSITION		OPPOSITE KEYWAY POSITION	
	C-NC	C-NO	C-NC	C-NO	C-NC	C-NO
64AT203-1	1 & 2	3 & 4	ALL	NONE	3 & 4	1 & 2
64AT203-3	1 & 2	3 & 4	NONE	NONE	3 & 4	1 & 2
64AT203-5	1 & 2*	3 & 4*	ALL	NONE	3 & 4	1 & 2
64AT203-7	1 & 2*	3 & 4*	ALL	NONE	3 & 4*	1 & 2*
64AT203-514	1 & 2	3 & 4	ALL	NONE	3 & 4*	1 & 2*

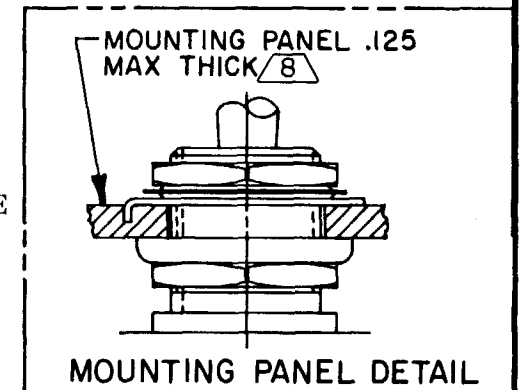
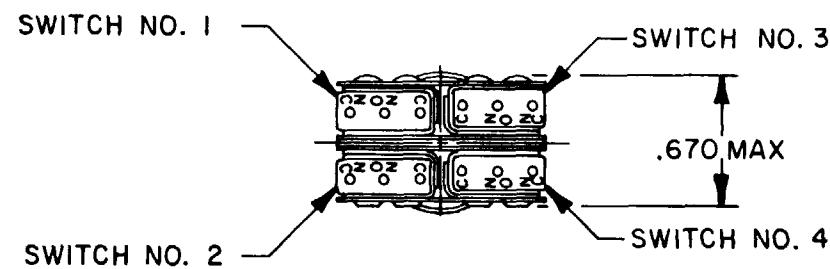
\* ASTERISK DENOTES MOMENTARY POSITION



Furnished under United States Government Contract No. \_\_\_\_\_  
 Shall not be either released outside the Government, or used, duplicated or disclosed in whole or in part for manufacture or procurement, without the written permission of MICRO SWITCH, A Division of Honeywell, except for: (I) emergency repair or overhaul work by or for the Government, where the item or process concerned is not otherwise reasonably available to enable timely performance of the work; or (II) release to a foreign government, as the interests of the United States may require; provided that in either case the release, use, duplication or disclosure hereof shall be marked on any reproduction hereof in whole or in part.

**NOTES**

- 1 - UNIT INCLUDES "23SX" TYPE BASIC SWITCH (4) MATING CONTACT SURFACES ARE 24K GOLD OVERLAY
- 2 - SWITCHES DO NOT NECESSARILY OPERATE SIMULTANEOUSLY
- 3 - TERMINALS ARE PLATED FOR SOLDERING
- 4 MATTE FINISH ON LEVER AND BUSHING
- 5 SWITCH NUMBERS STAMPED ON END OF BASIC SWITCHES
- 6 TERMINAL DESIGNATION STAMPED ON BOTH SIDES OF UNIT
- 7 - WHEN LEVER IS MOVED OUT OF A MAINTAINED POSITION, IT WILL RETURN OF ITS OWN ACCORD TO THE ORIGINAL POSITION OR THE ADJACENT POSITION. THE TOGGLE LEVER MAY HANG UP BETWEEN THE TWO ADJACENT POSITIONS ONLY BY EXERTING CONSIDERABLE EFFORT FOR PANEL SEAL TO BE EFFECTIVE MOUNTING HOLE IN PANEL SHOULD NOT EXCEED .500 DIA
- 8 HARDWARE FURNISHED ASSEMBLED WITH SWITCH OR IN PACKET PER MIL-PRF-8805
- 9



64AT203 SERIES CHART 1  
 DRAWING NUMBER  
 M  
 ISSUE  
 9  
 REVISIONS  
 A REINST PR-11668 J A P 5 NOV 82  
 B CO 52593 WJM 9 DEC 82  
 C C053999 J A P 3 OCT 83  
 D 0063228 TSK 25 MAR 88  
 E 207106 J A P 03 JAN 03  
 RASTER DRAWN  
 J A P 4 NOV 82  
 CHECK CEB 5 NOV 82  
 CHECK RRS 5 NOV 82  
 CHECK PR-11668  
 RELEASE NO. PR-11668  
 REPLACES

CHARACTERISTICS

ELECTRICAL DATA
CONTACT ARRANGEMENT S P D T (4)

SCALE	FULL		
DO NOT SCALE PRINT			
TOLERANCES			
APPLY TO DESIGN UNITS. CONVERSIONS ARE ONLY FOR REFERENCE. UNLESS NOTED, TOLERANCES ARE 2			
DIM.	TOL.	DIM.	TOL.
mm	mm/in	in	mm/in
NO PLACES	X	1/04	
ONE PLACE	X,X	0.4/0.16	X X
TWO PLACES	X,X,X	0.15/0.06	X X X
THREE PLACES	X,X,X,X	0.38/0.015	X X X X
ANGLES		0.13/0.005	
DESIGN UNITS	<input type="checkbox"/> SI METRIC	<input checked="" type="checkbox"/> U.S. CUSTOMARY	
THIRD ANGLE PROJECTION			
WEIGHT .07 LB APPROX			

DETAIL RATING CHART					
VOLTS	CYCLE	AMPERES SEA LEVEL		AMPERES 70,000 FT	
		RES	IND	RES	IND
28	DC	1	.5	1	.5