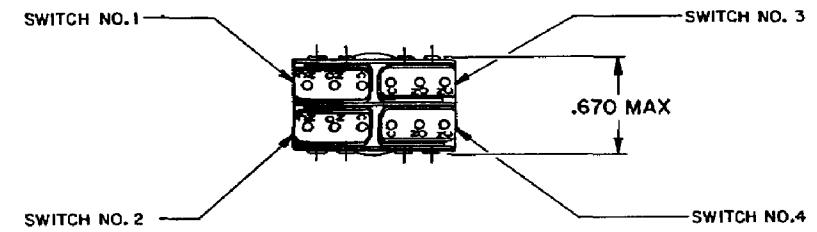
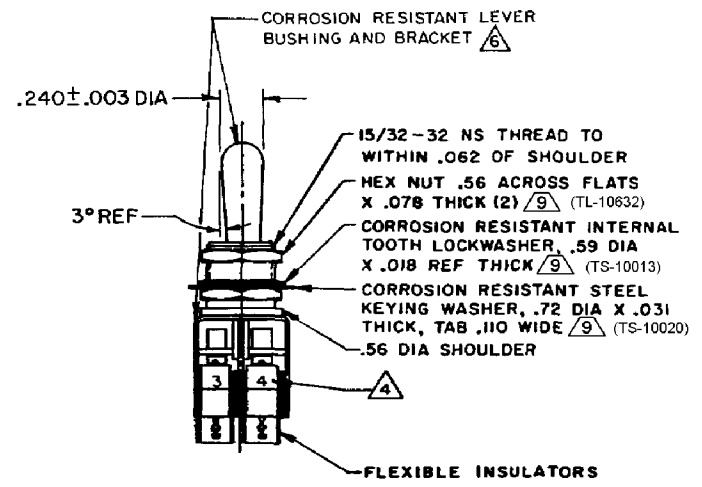
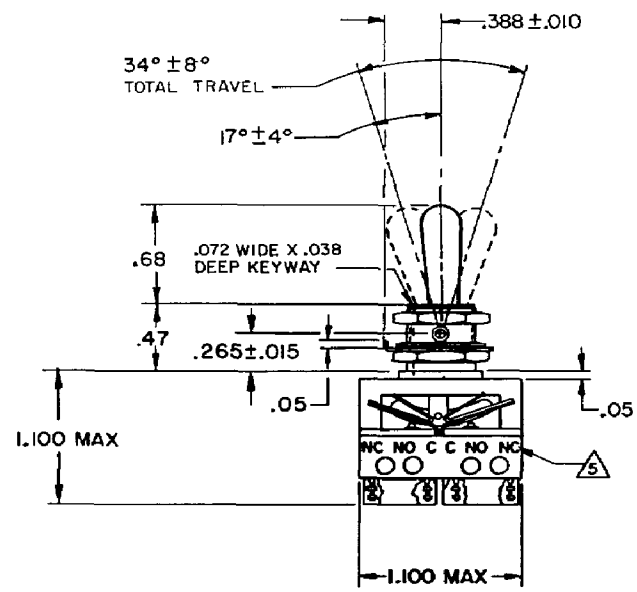


HONEYWELL
PART NUMBER
64AT11 SERIES CHART 1

REV	DOCUMENT	CHANGED BY	CHECK
16	0018615	KSR 10FEB06	RJ



FAA-PMA APPROVED (8)	CATALOG LISTING	KEYWAY POSITION		CENTER POSITION		OPPOSITE KEYWAY POSITION	
		C-NC	C-NO	C-NO	C-NC	C-NC	C-NO
FAA-PMA (11)	64AT11-1	1 & 2	3 & 4	NONE	ALL	3 & 4	1 & 2
	64AT11-3	1 & 2*	3 & 4	NONE	NONE	3 & 4	1 & 2
	64AT11-5	1 & 2*	3 & 4*	NONE	ALL	3 & 4	1 & 2
	64AT11-7	1 & 2*	3 & 4*	NONE	ALL	3 & 4*	1 & 2*
	64AT11-514	1 & 2*	3 & 4	NONE	ALL	3 & 4*	1 & 2*

* ASTERISK DENOTES MOMENTARY POSITION

- NOTE-
- 1 - UNIT INCLUDES "SX" TYPE BASIC SWITCH (4) (MEETS REQUIREMENTS OF MIL-S-6743)
 - 2 - SWITCHES DO NOT NECESSARILY OPERATE SIMULTANEOUSLY
 - 3 - TERMINALS ARE PLATED FOR SOLDERING
 - 4 - SWITCH NUMBERS MARKED ON END OF BASIC SWITCHES
 - 5 - TERMINAL DESIGNATION STAMPED ON BOTH SIDES OF UNIT
 - 6 - DULL FINISH ON LEVER AND BUSHING
 - 7 - WHEN LEVER IS MOVED OUT OF A MAINTAINED POSITION, IT WILL RETURN OF ITS OWN ACCORD TO THE ORIGINAL POSITION OR THE ADJACENT POSITION, THE TOGGLE LEVER MAY HANG UP BETWEEN THE TWO ADJACENT POSITIONS ONLY BY EXERTING CONSIDERABLE EFFORT
 - 8 - FAA-PMA TO BE MARKED ON THESE SWITCHES
 - 9 - HARDWARE FURNISHED ASSEMBLED WITH SWITCH OR IN PACKET 15PA313-AT PER MIL-PRF-8805
 - 10 - REPLACEMENT MOUNTING HARDWARE PACKET 15PA313-AT
 - 11 - FOR MANUFACTURING DETAIL SEE THE CORRESPONDING ASSEMBLY DRAWING FOR EACH LISTING FOR FAA-PMA.

ELECTRICAL RATINGS			
LOAD	SEA LEVEL		50,000 FT
	28 Vdc (AMPERES)	115 Vac, 60 Hz (AMPERES)	28 Vdc (AMPERES)
RESISTIVE	7	7	4
INDUCTIVE	4	7	2.5

CHARACTERISTICS	ELECTRICAL DATA
OPERATING FORCE FORCE TO MOVE LEVER FROM ONE POSITION TO ANY ADJACENT POSITION, 1-5 LB APPLIED .125 ± .030 BELOW TOP OF LEVER	CONTACT ARRANGEMENT S P D T (4)

DESIGN UNITS: INCH
TOLERANCES UNLESS NOTED:

NO PLACE	X	±	
ONE PLACE	.X	±	0.030
TWO PLACE	.XX	±	0.015
THREE PLACE	.XXX	±	0.005
FOUR PLACE	.XXXX	±	
ANGLES		±	

THIRD ANGLE PROJECTION

DRAWN	RER	17NOV73
CHECK	LSD	28NOV73
THIS DRAWING COVERS A PROPRIETARY ITEM AND IS THE PROPERTY OF HONEYWELL. THIS DRAWING IS NOT TO BE COPIED OR USED WITHOUT THE PERMISSION OF HONEYWELL.		
INTERPRET PER ASME Y14.5M-1994 OTHER HONEYWELL ENGINEERING STANDARDS MAY APPLY		
RASTER		

Honeywell

TITLE
ASSEMBLY - TOGGLE SWITCH

SIZE	TYPE	DRAWING NAME	REV
B	I	64AT11 SERIES CHART 1	16
SCALE	FULL	WEIGHT .07 LB EST	SHEET 1 OF 1