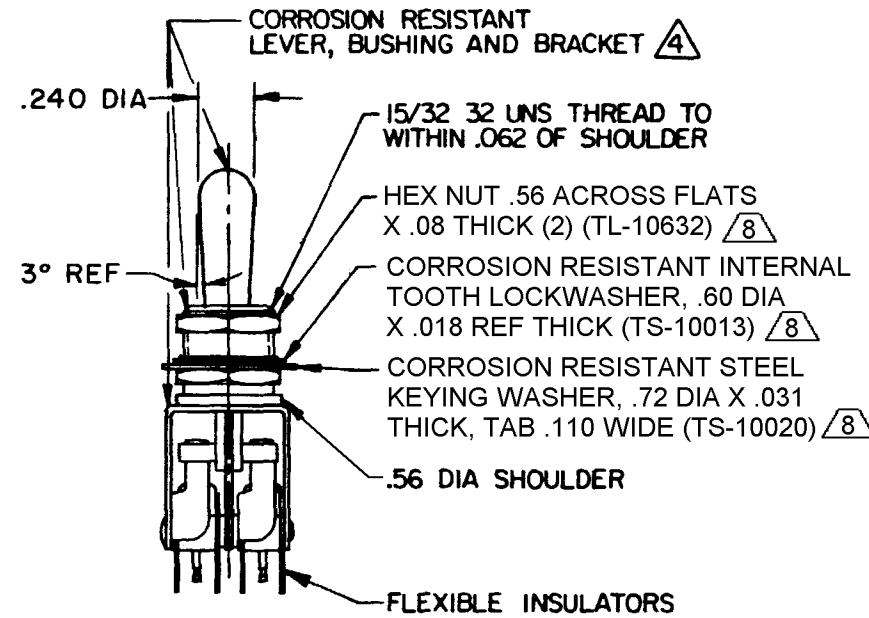
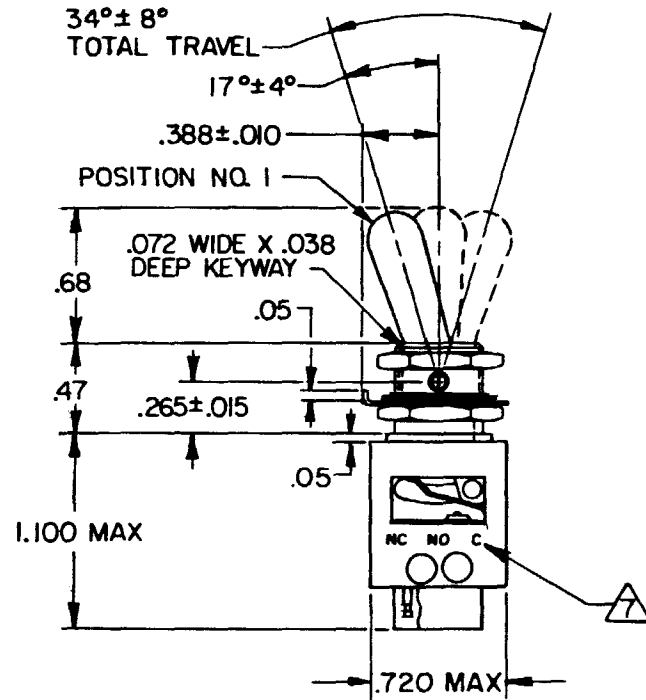


HONEYWELL
PART NUMBER

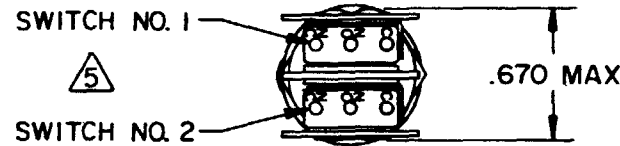
62AT34 SERIES CHART 1

REV	DOCUMENT	CHANGED BY	CHECK
8	0011669	DVM 05MAR05	AK



CATALOG LISTING	KEYWAY POSITION		CENTER POSITION		OPPOSITE KEYWAY POSITION	
	C - NO	C - NC	C - NO	C - NC	C - NO	C - NC
FAA-PMA 62AT34-3	NONE	1,2	NONE	NONE	1,2	NONE
62AT34-8	NONE	1,2*	NONE	NONE	1,2	NONE
62AT34-82	NONE	1,2	NONE	NONE	1,2*	NONE

* ASTERISK DENOTES MOMENTARY POSITION



NOTES

- 1 - UNIT INCLUDES 23SX39-H58 TYPE (GOLD BASIC SWITCH CONTACTS) (2)
- 2 - SWITCHES DO NOT NECESSARILY OPERATE SIMULTANEOUSLY
- 3 - PLATED TERMINALS WILL ACCEPT "AMP INC." .058 DIA PIN RECEPTACLES
- 4 DULL FINISH ON LEVER AND BUSHING
- 5 SWITCH NUMBERS STAMPED ON END OF BASIC SWITCHES
- 6 - WHEN LEVER IS MOVED OUT OF A MAINTAINED POSITION, IT WILL RETURN OF ITS OWN ACCORD TO THE ORIGINAL POSITION OR THE ADJACENT POSITION. THE TOGGLE LEVER MAY HANG UP BETWEEN THE TWO ADJACENT POSITIONS ONLY BY EXERTING CONSIDERABLE EFFORT
- 7 TERMINAL DESIGNATION STAMPED ON BOTH SIDES OF UNIT
- 8 HARDWARE FURNISHED ASSEMBLED WITH SWITCH OR IN PACKET 15PA313-AT PER MIL-PRF-8805
- 9 - REPLACEMENT MOUNTING HARDWARE PACKET 15PA313-AT
- 10 FOR MANUFACTURING DETAILS SEE THE CORRESPONDING ASSEMBLY DRAWING FOR EACH LISTING FOR FAA - PMA

CHARACTERISTICS		ELECTRICAL DATA		DESIGN UNITS: INCH	DRAWN	RJH	06APR83	<h2 style="text-align: center;">Honeywell</h2>			
OPERATING FORCE		CONTACT ARRANGEMENT		TOLERANCES UNLESS NOTED:	CHECK	CEC	07APR83				
FORCE TO MOVE LEVER FROM ONE POSITION TO ANY ADJACENT POSITION, 1-5 LB APPLIED .125 ± .030 BELOW TOP OF LEVER		S P D T (2)		NO PLACE X ±	THIS DRAWING COVERS A PROPRIETARY ITEM AND IS THE PROPERTY OF HONEYWELL. THIS DRAWING IS NOT TO BE COPIED OR USED WITHOUT THE PERMISSION OF HONEYWELL.			ASSEMBLY - TOGGLE SWITCH			
30 VOLTS DC RATING		INDUCTIVE ----- SEA LEVEL - 1/2 AMP		ONE PLACE .X ±							
		50,000 FT -- 1/2 AMP		TWO PLACE .XX ±				0.015			
		RESISTIVE ----- SEA LEVEL -- 1 AMP		THREE PLACE .XXX ±				0.005			
		50,000 FT ---- 1 AMP		FOUR PLACE .XXXX ±	INTERPRET PER ASME Y14.5M-1994 OTHER HONEYWELL ENGINEERING STANDARDS MAY APPLY			SIZE	TYPE	DRAWING NAME	REV
		MAXIMUM INRUSH ----- 2 AMP		ANGLES ±	RASTER			B	I	62AT34 SERIES CHART 1	8
				THIRD ANGLE PROJECTION				SCALE	1:1	WEIGHT .05 LB EST	SHEET 1 OF 1