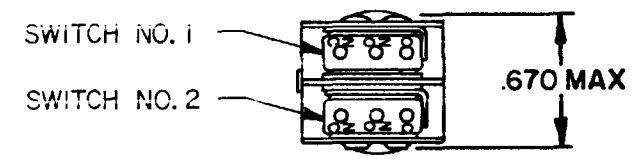
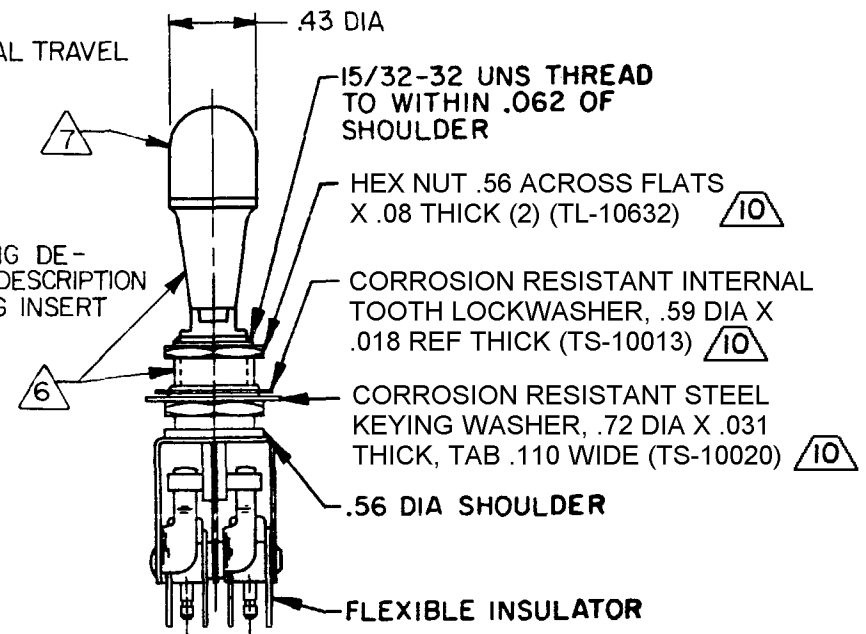
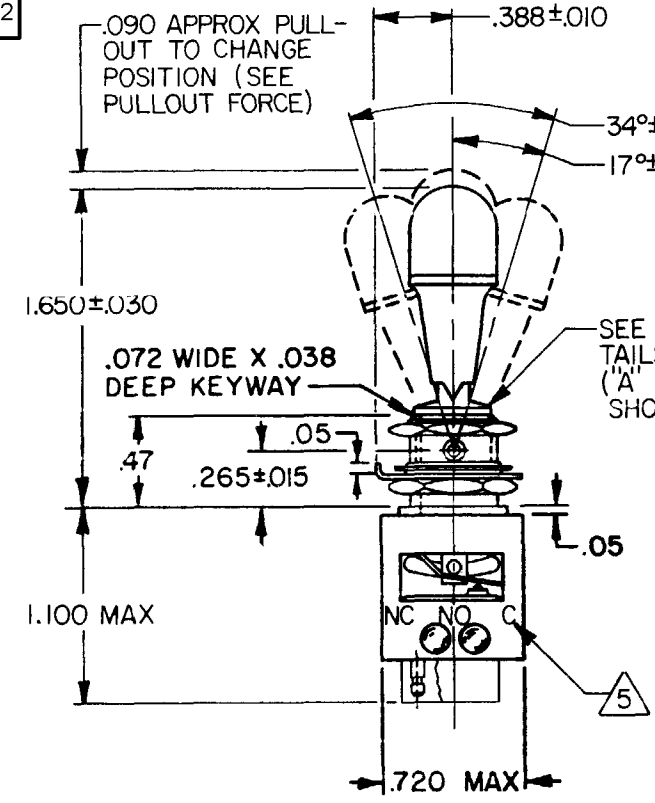


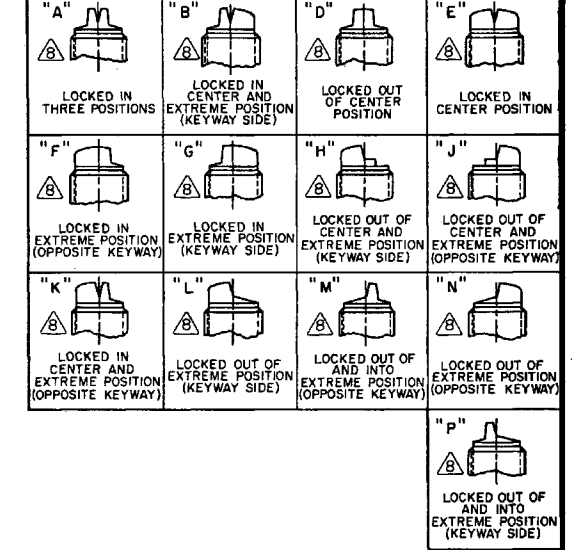
HONEYWELL
PART NUMBER
62AT22 SERIES CHART 2

REV	DOCUMENT	CHANGED BY	CHECK
12	0011669	DVM 05MAR05	AK



CATALOG LISTING	KEYWAY POSITION		CENTER POSITION		OPPOSITE KEYWAY POSITION		RECOMMENDED LOCKING COMBINATIONS
	C-NO	C-NC	C-NO	C-NC	C-NO	C-NC	
62AT22-3	NONE	1 & 2	NONE	NONE	1 & 2	1	D (FAA-PMA), G
62AT22-1	2	1	NONE	1 & 2	1	2	ALL TYPES
62AT22-7	2*	1*	NONE	1 & 2	1*	2*	E
62AT22-8 (FAA-PMA)	NONE	1 & 2*	NONE	NONE	1 & 2	NONE	F
62AT22-82	NONE	1 & 2	NONE	NONE	1 & 2*	NONE	G

* ASTERISK DENOTES MOMENTARY POSITION



- NOTES
- UNIT INCLUDES 21SX TYPE BASIC SWITCH (2) (MEETS REQUIREMENTS OF MIL-S-8805)
 - SWITCHES DO NOT NECESSARILY OPERATE SIMULTANEOUSLY
 - PLATED TERMINALS WILL ACCEPT "AMP INC." .058 DIA. PIN RECEPTACLES
 - SWITCH NUMBERS MARKED ON END OF BASIC SWITCHES
 - TERMINAL DESIGNATION MARKED ON BOTH SIDES OF UNIT
 - DULL FINISH ON LEVER AND BUSHING
 - FLAT WHITE RESILIENT SILICONE (50 DUROMETER APPROX)
 - SUFFIX LETTER MUST BE ADDED FOR DESIRED TYPE TOGGLE LOCKING (SEE CHART FOR RECOMMENDED LOCKING COMBINATIONS)
 - FOR REPLACEMENT BUTTON SEE MICRO SWITCH CATALOG LISTING 15PA90-6W
 - HARDWARE FURNISHED ASSEMBLED WITH SWITCH OR IN PACKET 15PA313-AT PER MIL-PRF-8805
 - REPLACEMENT MOUNTING HARDWARE PACKET 15PA313-AT
 - SWITCH MEETS THE REQUIREMENTS OF MIL-PRF-8805/98 EXCEPT INITIAL CONTACT RESISTANCE IS 50 MILLIOHMS MAX AND FINAL CONTACT RESISTANCE AFTER MECHANICAL ENDURANCE IS 600 MILLIOHMS MAX.
 - FOR MANUFACTURING DETAILS SEE THE CORRESPONDING ASSEMBLY DRAWING FOR EACH LISTING FOR FAA - PMA

VOLTS	CYCLE	INRUSH AMPERES		AMPERES SEA LEVEL			AMPERES 50,000 FT.		
		NC	NO	RES	IND	LAMP	RES	IND	LAMP
28	DC	24	24	7	4	2.5	7	2.5	2.5
115	400	20	20	7	7	2	7	7	2

CHARACTERISTICS	ELECTRICAL DATA
PULLOUT FORCE 3LB MIN 5LB MAX	CONTACT ARRANGEMENT S P D T (2)

DESIGN UNITS: INCH
TOLERANCES UNLESS NOTED:
NO PLACE X ±
ONE PLACE .X ± 0.030
TWO PLACE .XX ± 0.015
THREE PLACE .XXX ± 0.005
FOUR PLACE .XXXX ±
ANGLES ±
THIRD ANGLE PROJECTION

DRAWN	RJH	29MAY81
CHECK	-	-
THIS DRAWING COVERS A PROPRIETARY ITEM AND IS THE PROPERTY OF HONEYWELL. THIS DRAWING IS NOT TO BE COPIED OR USED WITHOUT THE PERMISSION OF HONEYWELL.		
INTERPRET PER ASME Y14.5M-1994 OTHER HONEYWELL ENGINEERING STANDARDS MAY APPLY		
RASTER		

Honeywell			
TITLE ASSEMBLY - TOGGLE SWITCH			
SIZE	TYPE	DRAWING NAME	REV
B	I	62AT22 SERIES CHART 2	12
SCALE	1:1	WEIGHT .07 LB EST	SHEET 1 OF 1