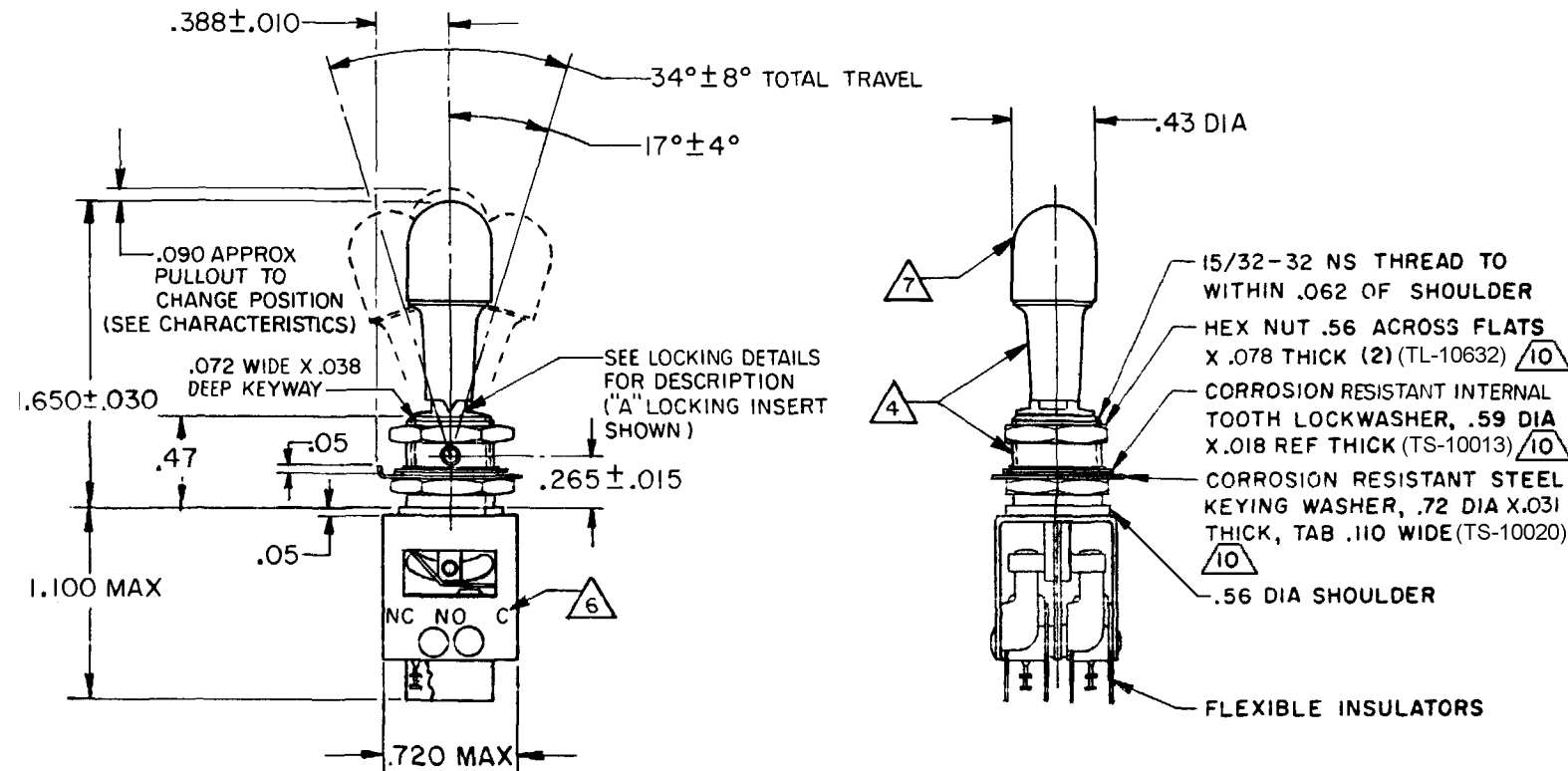


HONEYWELL
PART NUMBER

62AT11 SERIES CHART 2

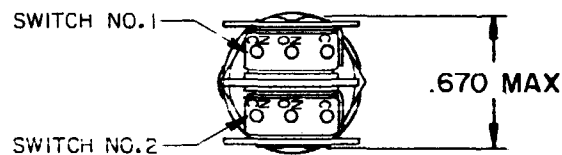
REV	DOCUMENT	CHANGED BY	CHECK
14	0011669	DVM 05MAR05	AK



CAT. LIST.	KEYWAY POS.		CENTER POS.		OPPOSITE KEYWAY POS		RECOMMENDED LKG COMBINATIONS
	C-NO	C-NC	C-NO	C-NC	C-NO	C-NC	
62AT11-3	NONE	1, 2	NONE	NONE	1, 2	NONE	G
62AT11-82	NONE	1, 2	NONE	NONE	1, 2*	NONE	G
62AT11-3D							
62AT11-1	2	1	NONE	1, 2	1	2	ALL TYPES

*ASTERISK DENOTES MOMENTARY POSITION

"A" LOCKED IN THREE POSITIONS	"B" LOCKED IN CENTER AND EXTREME POSITION (KEYWAY SIDE)	"D" LOCKED OUT OF CENTER POSITION	"E" LOCKED IN CENTER POSITION	"F" LOCKED IN EXTREME POSITION (OPPOSITE KEYWAY)	"G" LOCKED IN EXTREME POSITION (KEYWAY SIDE)
"H" LOCKED OUT OF CENTER AND EXTREME POSITION (KEYWAY SIDE)	"J" LOCKED OUT OF CENTER AND EXTREME POSITION (OPPOSITE KEYWAY)	"K" LOCKED IN CENTER AND EXTREME POSITION (OPPOSITE KEYWAY)	"L" LOCKED OUT OF EXTREME POSITION (KEYWAY SIDE)	"M" LOCKED OUT OF AND INTO EXTREME POSITION (OPPOSITE KEYWAY)	"N" LOCKED OUT OF EXTREME POSITION (OPPOSITE KEYWAY)
"P" LOCKED OUT OF AND INTO EXTREME POSITION (KEYWAY SIDE)					



NOTES:

- 1 - UNIT INCLUDES "ISX1-T2" TYPE BASIC SWITCH (2)
- 2 - SWITCHES DO NOT NECESSARILY OPERATE SIMULTANEOUSLY
- 3 - TERMINALS ARE PLATED FOR SOLDERING
- 4 - DULL FINISH ON LEVER AND BUSHING
- 5 - SWITCH NUMBERS STAMPED ON END OF BASIC SWITCHES
- 6 - TERMINAL DESIGNATION STAMPED ON BOTH SIDES OF UNIT
- 7 - FLAT WHITE RESILIENT SILICONE (50 DUROMETER APPROX.)
- 8 - SUFFIX LETTER MUST BE ADDED FOR DESIRED TYPE TOGGLE LOCKING. SEE CHART FOR RECOMMENDED LOCKING COMBINATION
- 9 - FOR REPLACEMENT BUTTON SEE MICRO SWITCH CATALOG LISTING 15PA90-6W
- 10 - HARDWARE FURNISHED ASSEMBLED WITH SWITCH OR IN PACKET 15PA313-AT PER MIL-PRF-8805
- 11 - REPLACEMENT MOUNTING HARDWARE PACKET 15PA313-AT
- 12 - FOR MANUFACTURING DETAILS SEE THE CORRESPONDING ASSEMBLY DRAWING FOR EACH LISTING FOR FAA-PMA

VOLTS	CYCLE	INRUSH AMPERES		AMPERES SEA LEVEL				AMPERES 50,000 FT.			
		NC	NO	RES	IND	MOTOR	LAMP	RES	IND	MOTOR	LAMP
28	DC	24	24	7	4	4	2.5	7	2.5	4	2.5
115	400	20	20	7	7	3.3	2	7	7	3.3	2
250	60	20	20	7	7	3.3	2	7	7	3.3	2

CHARACTERISTICS	ELECTRICAL DATA
PULLOUT FORCE - - - - 3 LB MIN - 5 LB MAX	CONTACT ARRANGEMENT S P D T (2)

DESIGN UNITS: INCH
TOLERANCES UNLESS NOTED:

- NO PLACE X ±
- ONE PLACE .X ±
- TWO PLACE .XX ±
- THREE PLACE .XXX ±
- FOUR PLACE .XXXX ±
- ANGLES ±

THIRD ANGLE PROJECTION



DRAWN	RER	19SEP74
CHECK	DAV	29SEP74
THIS DRAWING COVERS A PROPRIETARY ITEM AND IS THE PROPERTY OF HONEYWELL. THIS DRAWING IS NOT TO BE COPIED OR USED WITHOUT THE PERMISSION OF HONEYWELL.		
INTERPRET PER ASME Y14.5M-1994 OTHER HONEYWELL ENGINEERING STANDARDS MAY APPLY		
RASTER		

Honeywell			
TITLE ASSEMBLY - TOGGLE SWITCH			
SIZE B	TYPE I	DRAWING NAME 62AT11 SERIES CHART 2	REV 14
SCALE 1:1	WEIGHT .07 LB EST	SHEET 1 OF 1	