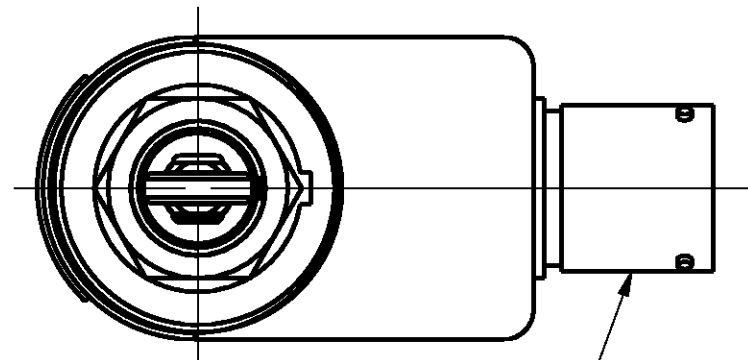
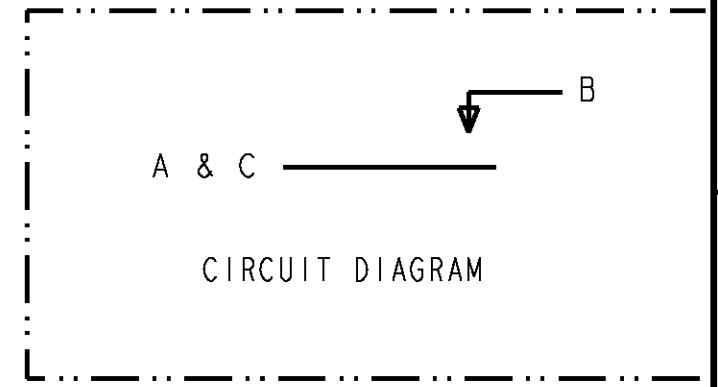


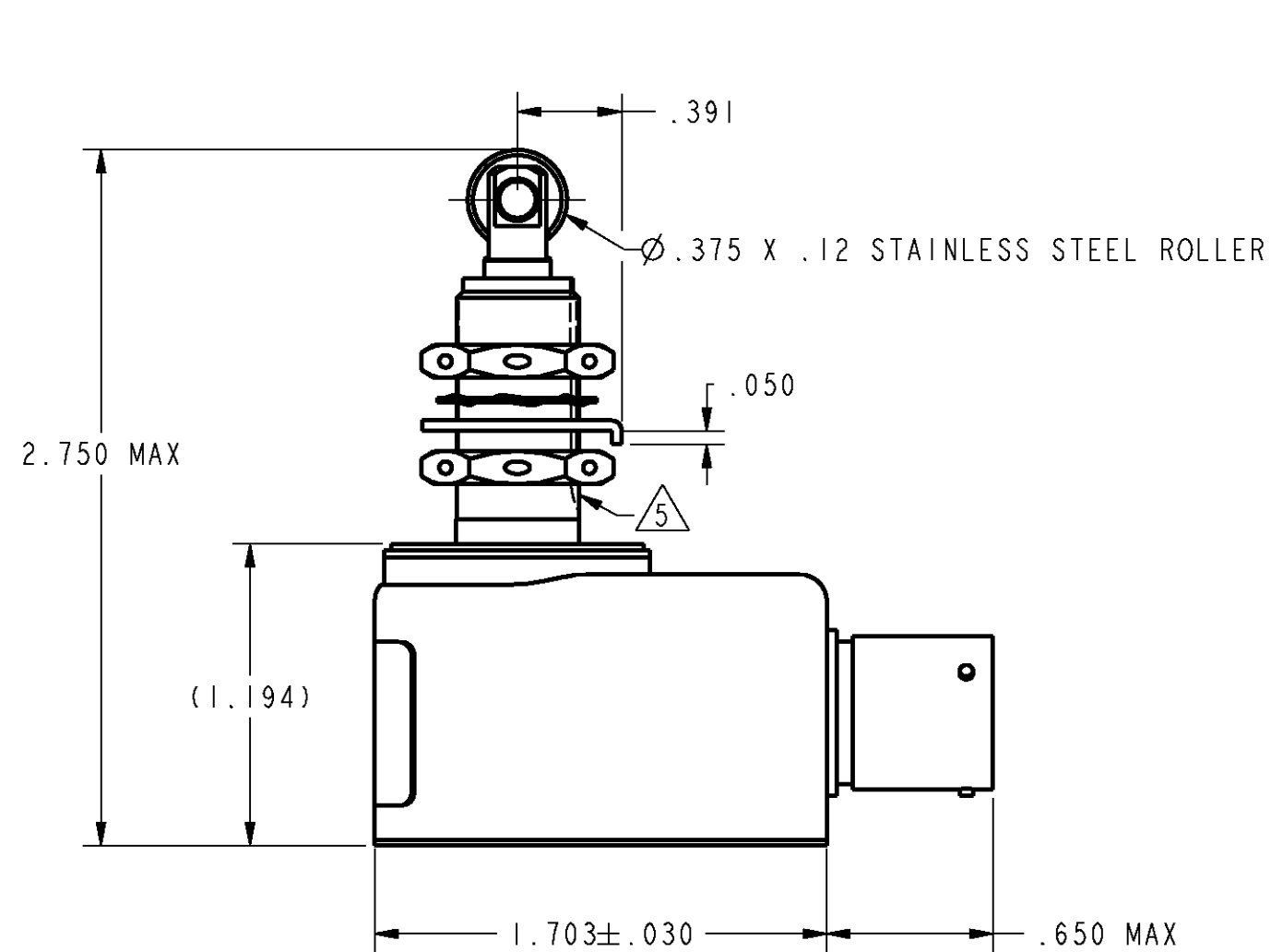
REV	DOCUMENT	CHANGED BY	CHECK
1	PR-24216	LJK 17NOV99	JAF

NOTES

- 1 - CORROSION RESISTANT STEEL ROLLER, PLUNGER, NUTS, WASHERS, BUSHING AND ENCLOSURE
- 2 - SWITCH SEALED PER MIL-PRF-8805 SYMBOL 4
- 3 - CIRCUIT DIAGRAM, CATALOG LISTING, FED MFG CODE AND DATE CODE ON NAMEPLATE
- 4 HARDWARE MAY BE PACKAGED UNASSEMBLED PER MIL-PRF-8805
- 5 KEYWAY .072±.004 WIDE X  $\nabla$ .031±.003 TO WITHIN .250 OF SHOULDER
- 6 - BASIC SWITCH HAS GOLD CONTACTS
- 7 - FURNISHED WITH SNUG FITTING DUST CAP
- 8 - ELASTOMER O-RING IS EPDM
- 9 - ELECTRICAL LIFE HAS BEEN DE-RATED TO 1000 MINIMUM DUE TO POSSIBLE USE AT LOWER VOLTAGES AT THE SPECIFIED LOAD



CONNECTOR PER MIL-C-26482  
PART NUMBER MS3443H8C-98P



CUSTOMER PART NO. 5912407

ELECTRICAL DATA		
CONTACT ARRANGEMENT: S P N O		
SEA LEVEL	50,000 FT	
LOAD	33 VDC	33 VDC
RES	1	1
IND	.6	.6

CHARACTERISTICS	
OPERATING FORCE	3-6 LBS
FULL OVERTRAVEL FORCE	17 LBS MAX
RELEASE FORCE	2 LBS MIN
PRETRAVEL	.040 MAX
DIFFERENTIAL TRAVEL	.020 MAX
OVERTRAVEL	.125 MIN

UNLESS OTHERWISE SPECIFIED TOLERANCES ARE:	<input checked="" type="checkbox"/> US (inch) CUSTOMARY	<input type="checkbox"/> SI (mm) METRIC	DRAWN	LJK	17NOV99	<b>Honeywell</b> Sensing and Control TITLE <b>SWITCH, ENCLOSED</b>
NO PLACE	X	±.040 ±1	CHECK	JAF	17NOV99	
ONE PLACE	.X	±.030 ±0,4	THIS DRAWING COVERS A PROPRIETARY ITEM AND IS THE PROPERTY OF HONEYWELL SENSING AND CONTROL. THIS DRAWING IS NOT TO BE COPIED OR USED WITHOUT THE PERMISSION OF HONEYWELL.			SIZE DWG TYPE DRAWING NAME <b>C M 624EN344-R</b>
TWO PLACE	.XX	±.015 ±0,15	DIMENSIONS ARE TO BE MET BEFORE PROTECTIVE COATINGS ARE APPLIED			
THREE PLACE	.XXX	±.005 ±	2D PTC ASME Y14.5M-1994			SCALE 1.5:1 WEIGHT 6 OZ MAX SHEET 1 OF 1
ANGLES		±	THIRD ANGLE PROJECTION			
RAW MATERIAL-COMMERCIAL STANDARD						