

MICRO SWITCH
a Honeywell Division

FED. MFG. CODE 91929

SWITCH-ENCLOSED

CATALOG LISTING

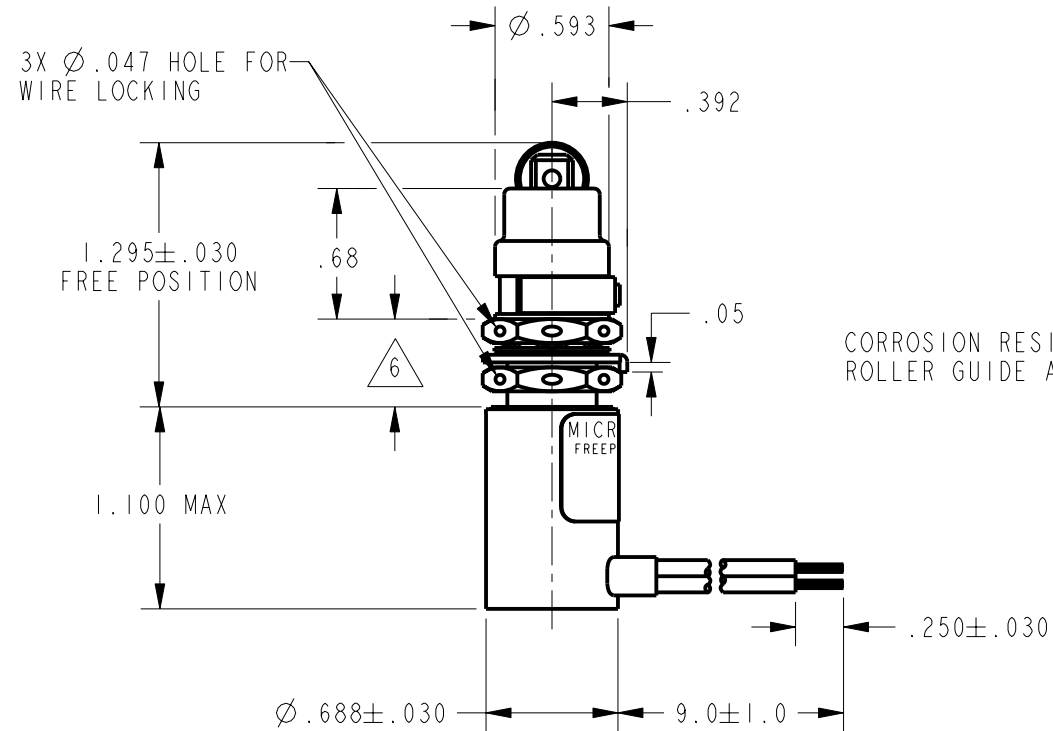
622HE10

WHITE → ← YELLOW

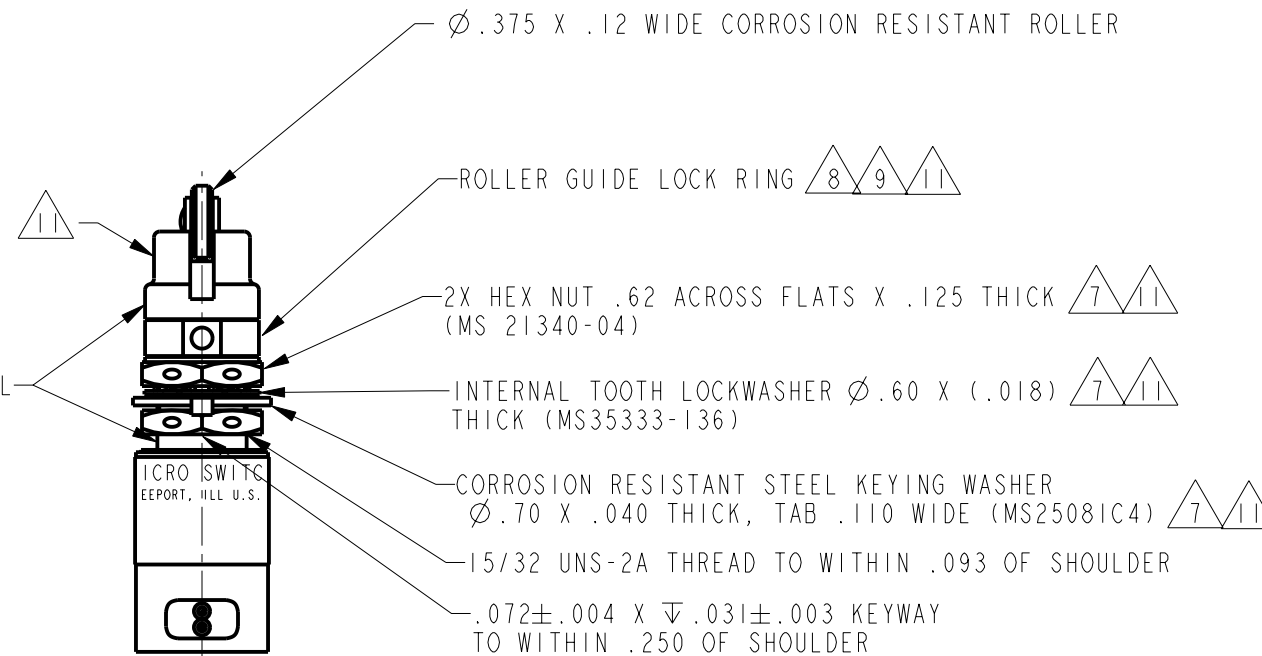
CIRCUIT DIAGRAM



ROLLER GUIDE MAY BE LOCKED IN INCREMENTS OF 45° AZIMUTH. IT MAY ALSO BE UNSCREWD AND REMOVED FROM BUSHING TO FACILITATE INSTALLATION ⁵



CORROSION RESISTANT STEEL ROLLER GUIDE AND BUSHING

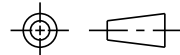


NOTES

- CORROSION RESISTANT STAINLESS STEEL ENCLOSURE
- SWITCH SEALED PER MIL-S-8805 SYMBOL 5
- CIRCUIT DIAGRAM AND CATALOG LISTING ARE SHOWN ON LABEL
- COINCIDENCE OF OPERATING AND RELEASE POINTS: .010 INCHES OF PLUNGER TRAVEL
- TO ADJUST ROLLER GUIDE DIRECTION: REMOVE ROLLER GUIDE LOCK RING, SCREW ROLLER GUIDE TO DESIRED DIRECTION, SECURE BY REPLACING ROLLER GUIDE LOCK RING
- ROLLER GUIDE LOCATION CAN VARY BETWEEN .362 AND .520 WHILE MAINTAINING .125 MIN OVERTRAVEL
- REPLACEMENT MOUNTING HARDWARE - PACKET 19PA9
- REPLACEMENT ROLLER GUIDE AND LOCK RING - PACKET 15PA105
- REPLACEMENT LOCK RING - PACKET 15PA107
- FOR OPERATION IN TEMPERATURE RANGE OF MINUS 65°F TO PLUS 257°F
- HARDWARE MAY BE PACKAGED UNASSEMBLED PER MIL-S-8805

THIS DRAWING COVERS A PROPRIETARY ITEM AND IS THE PROPERTY OF MICRO SWITCH, A DIVISION OF HONEYWELL. THIS DRAWING IS NOT TO BE COPIED OR USED WITHOUT THE APPROVAL OF MICRO SWITCH

THIRD ANGLE PROJECTION



CHARACTERISTICS		ELECTRICAL DATA		SCALE	FULL
OPERATING FORCE ----- 5 -12 LB		CONTACT ARRANGEMENT		DO NOT SCALE PRINT	
FULL OVERTRAVEL FORCE ----- 30 LB MAX		S P N O		UNLESS OTHERWISE SPECIFIED TOLERANCES ARE	
RELEASE FORCE ----- 3 LB MIN		LOAD	28 VDC	ONE PLACE	(.0) ±.030
PRETRAVEL ----- .040 MAX			SEA LEVEL & 50,000 FT.	TWO PLACE	(.00) ±.015
OVERTRAVEL ----- .125 MIN		RES	7	THREE PLACE	(.000) ±.005
		IND	4	ANGLES	±
		MOTOR	4	WEIGHT	TBD

ANSI Y14.5M-1982 APPLIES

PTC/CAD 2D
 DRAWN
 D L T 9 AUG 02
 CHECK
 SAV 9 AUG 02
 CHECK
 9 AUG 02
 REVISIONS
 A 206228
 D L T
 9 AUG 02
 ISSUE
 4
 M
 CATALOG LISTING
 622HE10
 PAGE 1 OF 1
 RELEASE NO. PR-22052
 REPLACES -