

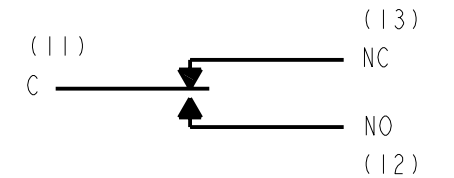
**MICRO SWITCH**  
a Honeywell Division

FED. MFG. CODE 91929

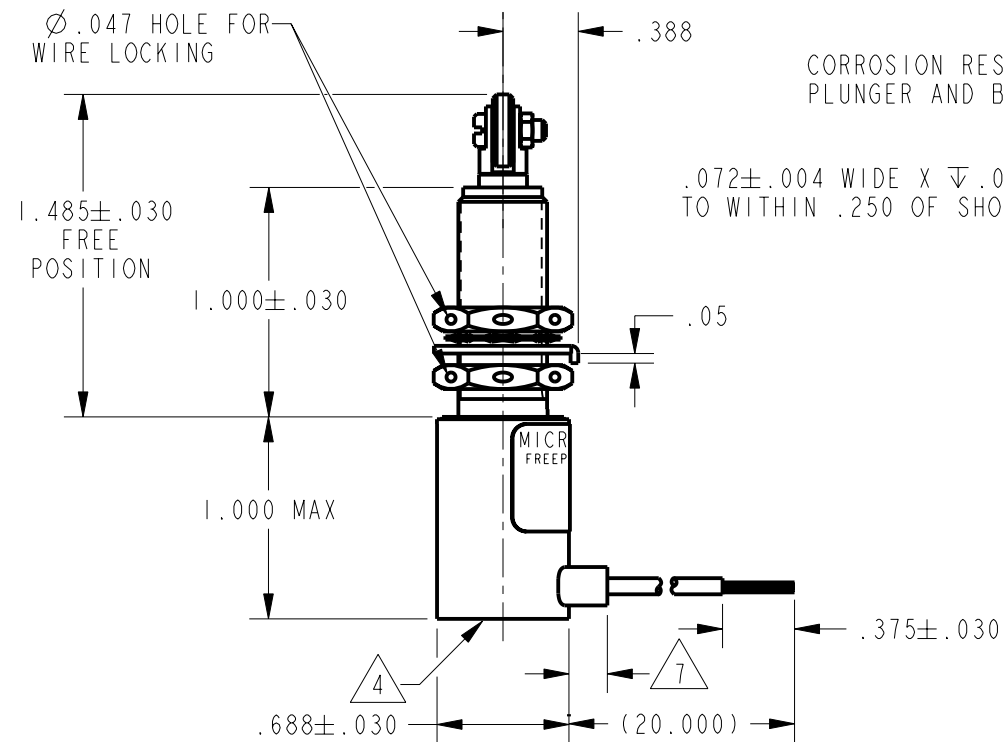
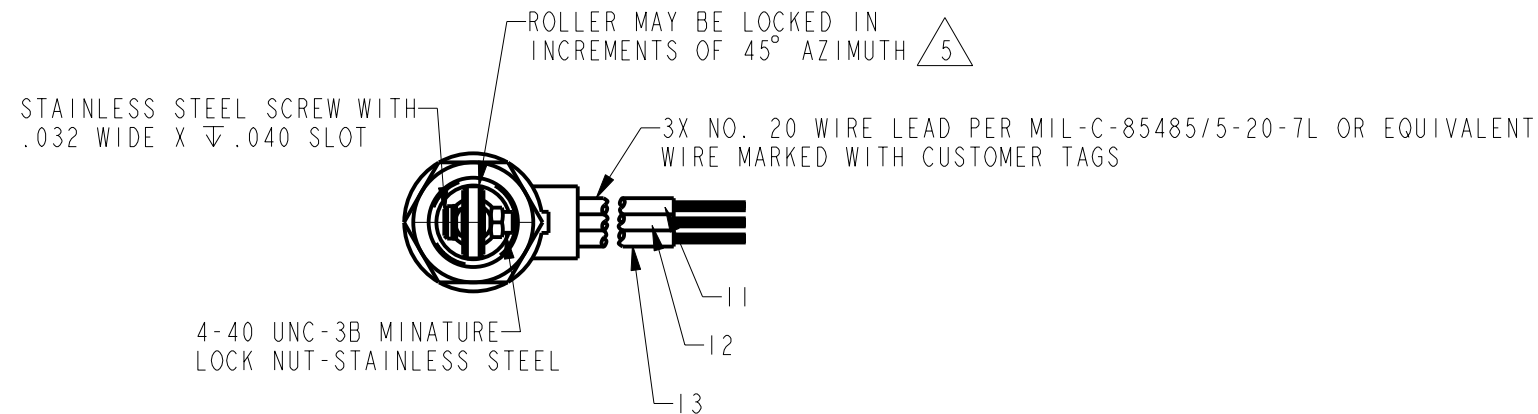
**SWITCH-ENCLOSED**

CATALOG LISTING

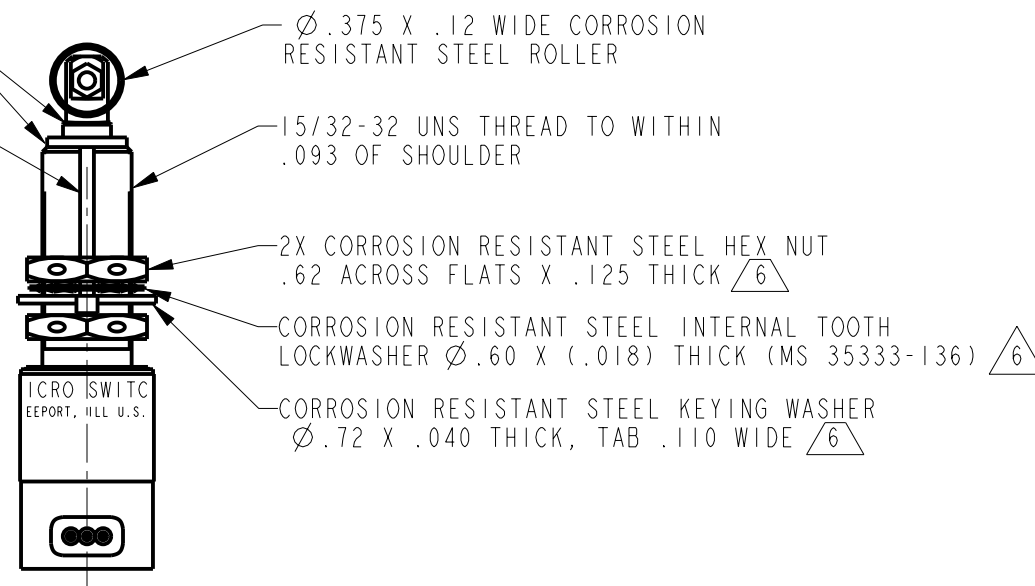
**622EN95**



CIRCUIT DIAGRAM



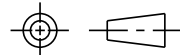
CORROSION RESISTANT STEEL  
PLUNGER AND BUSHING



CATALOG LISTING  
 622EN95  
 PAGE 1 OF 1  
 ISSUE 4  
 REVISIONS  
 A 206228  
 D L T  
 8 AUG 02  
 PTC/CAD 2D  
 DRAWN  
 D L T 8 AUG 02  
 CHECK  
 SAV  
 8 AUG 02  
 CHECK  
 REPLACES  
 RELEASE NO. PR-22337

THIS DRAWING COVERS A PROPRIETARY ITEM AND IS THE PROPERTY OF MICRO SWITCH, A DIVISION OF HONEYWELL. THIS DRAWING IS NOT TO BE COPIED OR USED WITHOUT THE APPROVAL OF MICRO SWITCH

THIRD ANGLE PROJECTION



CHARACTERISTICS	
OPERATING FORCE	6-12 LB
FULL OVERTRAVEL FORCE	30 LB MAX
RELEASE FORCE	4 LB MIN
PRETRAVEL	.040 MAX
DIFFERENTIAL TRAVEL	.020 MAX
OVERTRAVEL	.125 MIN

ELECTRICAL DATA		
CONTACT ARRANGEMENT		
2X SPDT		
28 VDC		
LOAD	SEA LEVEL	50,000 FT.
RES	7	7
IND	4	2.5
MOTOR	4	
LAMP		

SCALE	
FULL	
DO NOT SCALE PRINT	
UNLESS OTHERWISE SPECIFIED TOLERANCES ARE	
ONE PLACE	(.0) ± .030
TWO PLACE	(.00) ± .015
THREE PLACE	(.000) ± .005
ANGLES	±
WEIGHT	

NOTES

- 1 - CORROSION RESISTANT STEEL ENCLOSURE
- 2 - SWITCH SEALED PER MIL-S-8805 SYMBOL 4
- 3 - CIRCUIT DIAGRAM, CATALOG LISTING, AND DATE CODE ARE SHOWN ON NAMEPLATE
- 4 - SILICONE POTTING MATERIAL FLUSH TO .070 UNDERFLUSH OF HOUSING
- 5 - TO ADJUST ROLLER DIRECTION: REMOVE LOCK NUT, SCREW AND ROLLER, DEPRESS PLUNGER UNTIL IT CAN BE ROTATED TO DESIRED POSITION, RETURN PLUNGER TO FREE POSITION AND REASSEMBLE ROLLER
- 6 - HARDWARE MAY BE PACKAGED UNASSEMBLED PER MIL-S-8805
- 7 - SILICONE POTTING MATERIAL .175 MAX FROM HOUSING

ANSI Y14.5M-1982 APPLIES