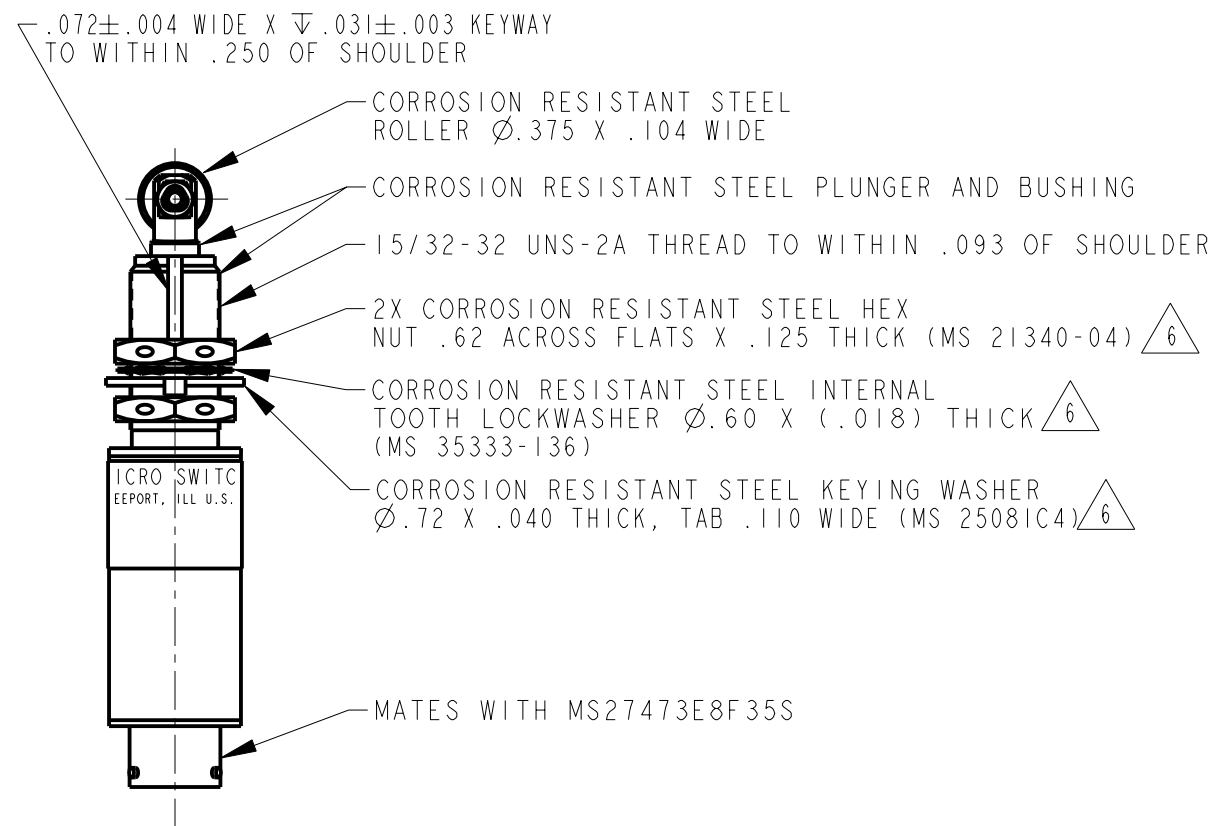
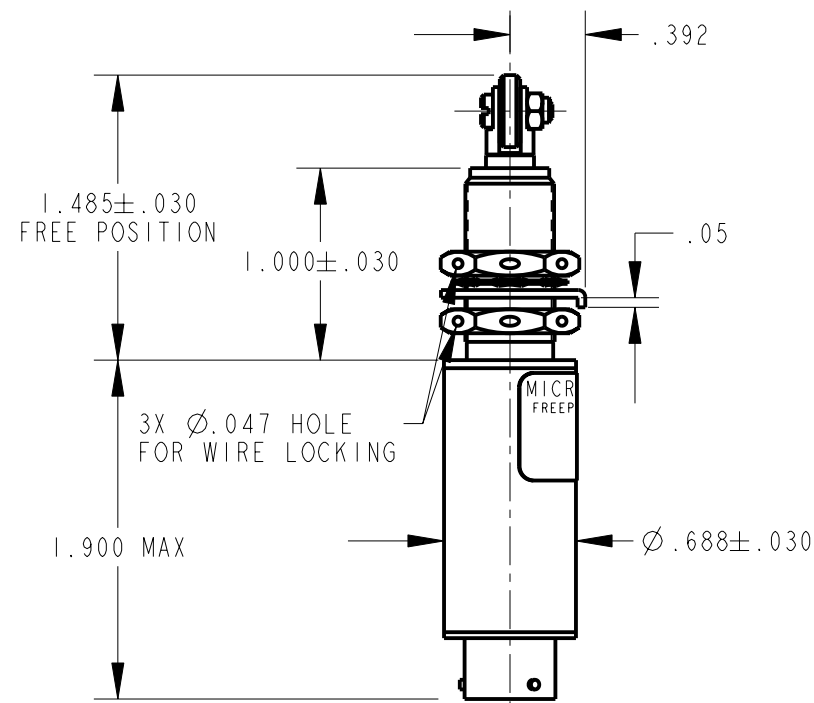
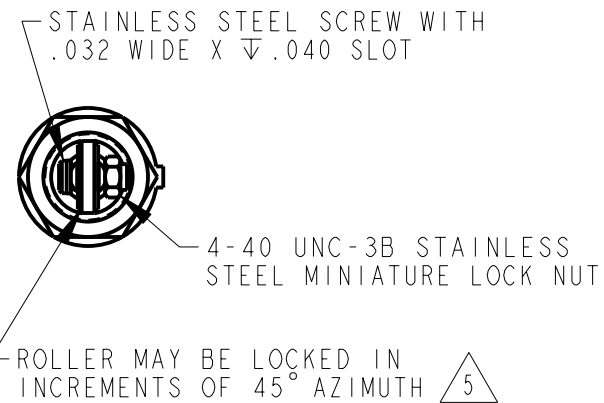


CIRCUIT DIAGRAM

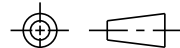


NOTES

- 1 - CORROSION RESISTANT STEEL ENCLOSURE
- 2 - SWITCH SEALED PER MIL-PRF-8805 SYMBOL 4
- 3 - COINCIDENCE OF OPERATING AND RELEASING POINTS: .010 OF PLUNGER TRAVEL
- 4 - CIRCUIT DIAGRAM AND CATALOG LISTING SHOWN ON LABEL TO ADJUST ROLLER DIRECTION, REMOVE LOCK NUT, SCREW AND ROLLER. DEPRESS PLUNGER UNTIL IT CAN BE ROTATED TO DESIRED POSITION. RETURN PLUNGER TO FREE POSITION AND REASSEMBLE ROLLER
- $\triangle 5$  HARDWARE MAY BE PACKAGED UNASSEMBLED PER MIL-PRF-8805 GOLD BIFURCATED CONTACTS
- $\triangle 6$
- $\triangle 7$

THIS DRAWING COVERS A PROPRIETARY ITEM AND IS THE PROPERTY OF MICRO SWITCH, A DIVISION OF HONEYWELL. THIS DRAWING IS NOT TO BE COPIED OR USED WITHOUT THE APPROVAL OF MICRO SWITCH

THIRD ANGLE PROJECTION



CHARACTERISTICS	
OPERATING FORCE	6 - 12 LB
FULL OVERTRAVEL FORCE	30 LB MAX
RELEASE FORCE	4 LB MIN
PRETRAVEL	.040 MAX
DIFFERENTIAL TRAVEL	.020 MAX
OVERTRAVEL	.125 MIN

ELECTRICAL DATA		
CONTACT ARRANGEMENT		
$\triangle 7$ 2X SPDT		
LOAD 28 VDC		
	SEA LEVEL	50,000 FT.
RES	1	1
IND	0.5	0.5

SCALE	
FULL	
DO NOT SCALE PRINT	
UNLESS OTHERWISE SPECIFIED TOLERANCES ARE	
ONE PLACE	(.0) ±.030
TWO PLACE	(.00) ±.015
THREE PLACE	(.000) ±.005
ANGLES	±

WEIGHT 2.0 OZ MAX

ANSI Y14.5M-1982 APPLIES

622EN83-RB

CATALOG LISTING

M

ISSUE 4

REVISIONS

A 207221  
TSM  
16 JAN 03

PTC/CAD 2D

DRAWN

TSM 16 JAN 03

CHECK

CHECK

CHECK

PAGE 1 OF 1

RELEASE NO. PR-21142-T

REPLACES -