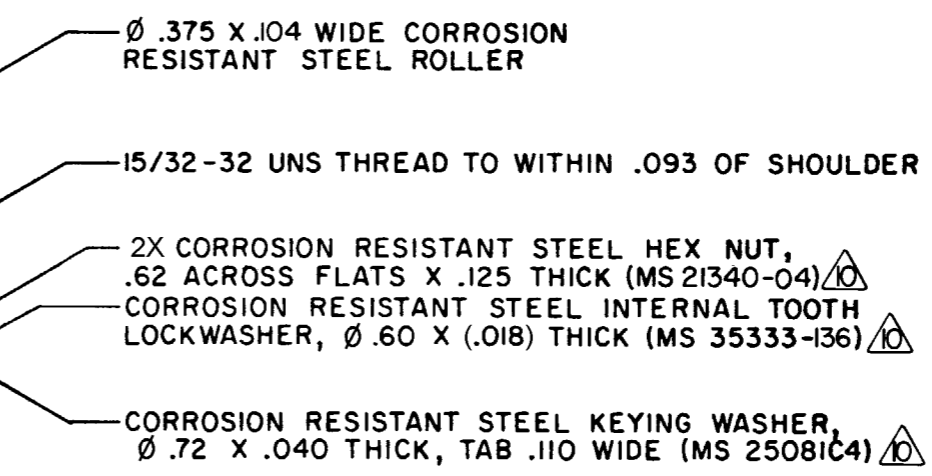
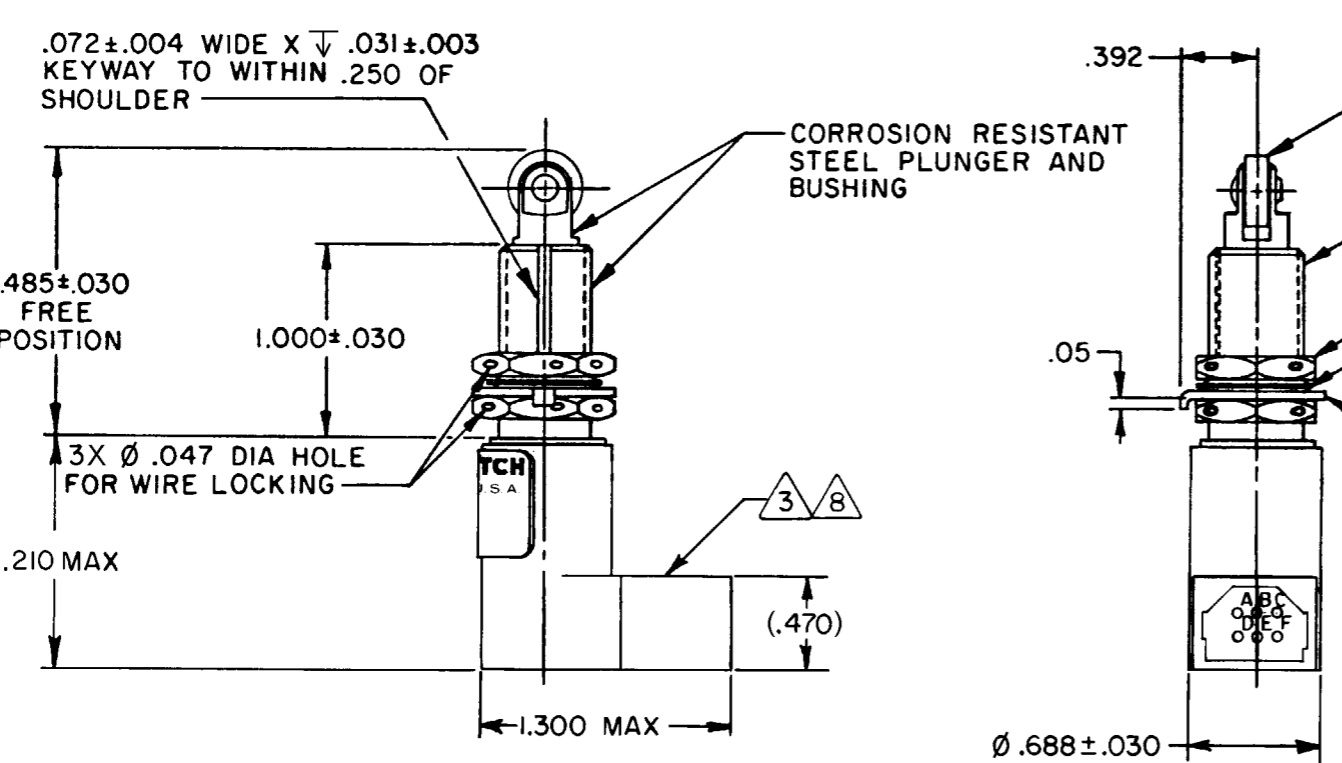
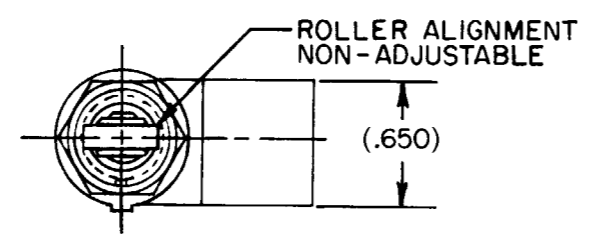
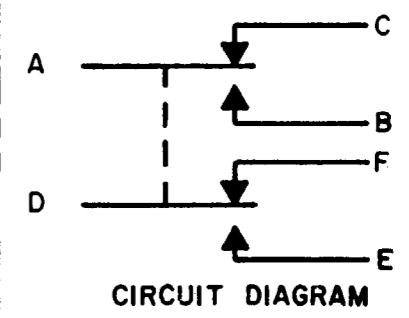


**MICRO SWITCH**  
 FREEPORT, ILLINOIS, U.S.A.  
 A DIVISION OF HONEYWELL  
 FED. MFG. CODE 91929

**SWITCH-ENCLOSED**

CATALOG LISTING  
**622EN118-R**



- NOTES**
- 1 - CORROSION RESISTANT STEEL ENCLOSURE
  - 2 - SWITCH SEALED PER MIL-PRF-8805 SYMBOL 4
  - 3 DEUTSCH RECEPTACLE
  - 4 - COINCIDENCE OF OPERATING AND RELEASING POINTS: .010 OF PLUNGER TRAVEL
  - 5 - ELECTRICAL RATINGS APPLY AS SPECIFIED IN MIL-PRF-8805/43 UP TO 185°F
  - 6 - CIRCUIT DIAGRAM AND CATALOG LISTING ARE SHOWN ON NAMEPLATE
  - 7 - CIRCUIT DIAGRAM - LETTERS ARE ASSOCIATED WITH RECEPTACLE - NUMBERS ARE ASSOCIATED WITH WIRING
  - 8 CONNECTOR MUST BE PERPENDICULAR WITH CENTERLINE OF BUSHING KEYWAY WITHIN ±6°
  - 9 - ROLLER MUST BE PERPENDICULAR WITH BUSHING KEYWAY WITHIN ±2.5° ROLLER PLUNGER CAN BE ROTATED CLOCKWISE OR COUNTER CLOCKWISE TO ALIGN WITH KEYWAY WITHIN ±2.5°
  - 10 HARDWARE MAY BE PACKAGED UNASSEMBLED PER MIL-PRF-8805

CATALOG LISTING  
**622EN118-R**  
 PAGE 1 OF 1  
 ISSUE **M**  
**14**  
 REVISIONS  
 A C046749  
 D J W  
 16 OCT 79  
 B C047573  
 PART 4  
 R J H  
 18 AUG 80  
 C C049806  
 J A P  
 25 SEPT 81  
 D C052703  
 D J W  
 4 FEB 83  
 E C057370  
 M A M  
 16 MAY 85  
 F C064618  
 J A S  
 1 NOV 88  
 G C073035  
 D A W  
 1 JUL 92  
 H C075612B  
 W E S  
 16 AUG 93  
 J 201745  
 C S L  
 20 NOV 00  
 RASTER  
 FO-92881-B  
 DRAWN  
 D J W 16 OCT 79

THIS DRAWING COVERS A PROPRIETARY ITEM AND IS THE PROPERTY OF MICRO SWITCH, A DIVISION OF HONEYWELL. THIS DRAWING IS NOT TO BE COPIED OR USED WITHOUT THE APPROVAL OF MICRO SWITCH.		SCALE FULL	
CHARACTERISTICS		DO NOT SCALE PRINT	
OPERATING FORCE	6-12 LB	TOLERANCES	
FULL OVERTRAVEL FORCE	30 LB MAX	APPLY TO DESIGN UNITS. CONVERSIONS ARE ONLY FOR REFERENCE. UNLESS NOTED, TOLERANCES ARE 2	
RELEASE FORCE	4 LB MIN	NO PLACES DIM. TOL. DIM. TOL. ONE PLACE X .X 17.04 X .X 17.04 TWO PLACES X .XX 0.47018 X .XX 0.381/255 THREE PLACES X .XXX 0.157/1000 X .XXX 0.157/1000	
PRETRAVEL	.040 MAX	DESIGN UNITS <input type="checkbox"/> SI METRIC <input checked="" type="checkbox"/> US CUSTOMARY	
DIFFERENTIAL TRAVEL	.020 MAX	THIRD ANGLE PROJECTION	
OVERTRAVEL	.210 MIN	WEIGHT .15 LBS MAX	
ELECTRICAL DATA			
CONTACT ARRANGEMENT			
SPDT (2)			
28 VDC			
LOAD	SEA LEVEL	50,000 FT.	
RES	7	7	
IND	4	2.5	
MOTOR	4		
LAMP			