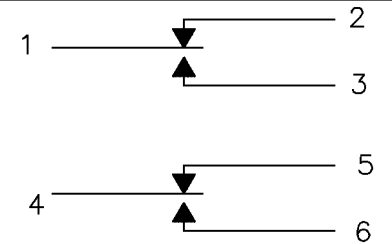


**MICRO SWITCH**  
a Honeywell Division

**SWITCH-ENCLOSED**

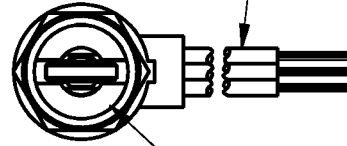
CATALOG LISTING  
**622EN225-6**

FED. MFG. CODE 91929



**CIRCUIT DIAGRAM**

6X NO. 20 WIRE LEAD PER MIL-W-22759/7 MARKED WITH CIRCUIT IDENTIFICATION AND WIRE GAGE (1-20, 2-20, ETC) PER MIL-W-5088



ROLLER GUIDE MAY BE LOCKED IN INCREMENTS OF 45° AZIMUTH. IT MAY ALSO BE UNSCREWED AND REMOVED FROM BUSHING TO FACILITATE INSTALLATION  $\triangle 4$

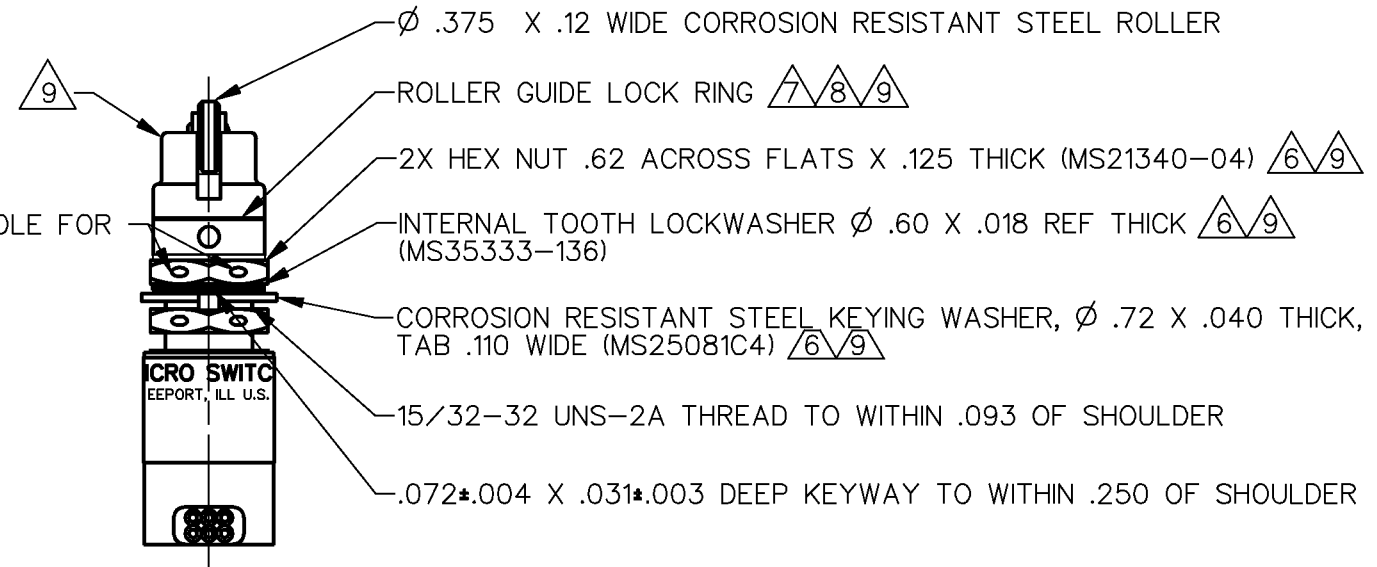
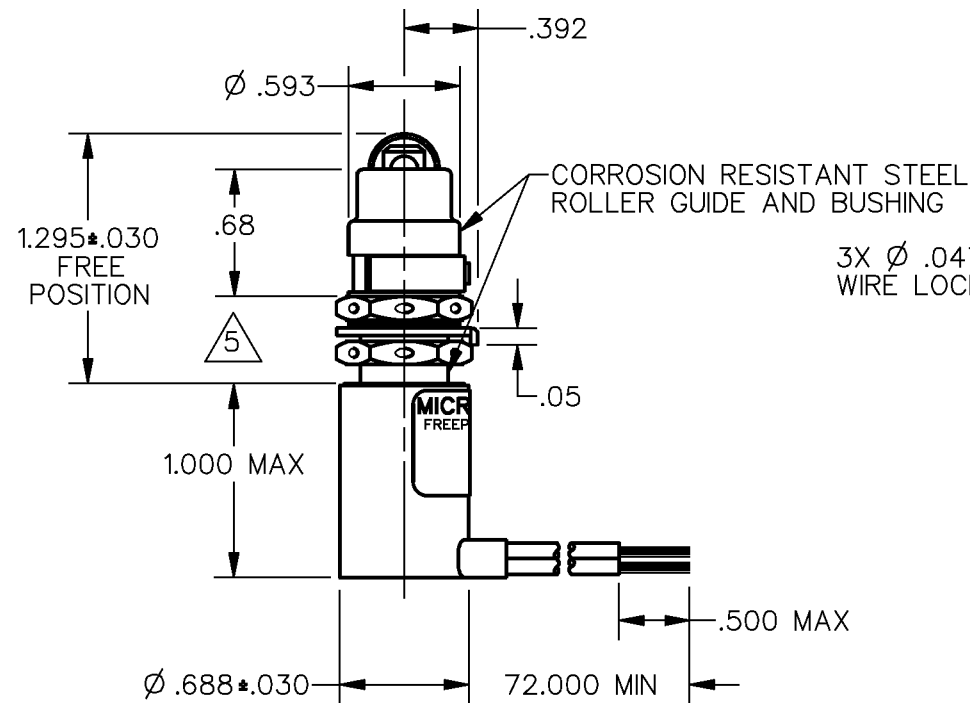
ELECTRICAL RATINGS, GOLD CONTACTS

LOAD	SEA LEVEL			50,000 FT	
	POWER CIRCUIT 28 V DC	ELECTRONIC LOGIC 5 V DC	LOW LEVEL 30mV DC OR PEAK AC	POWER CIRCUIT 28 V DC	ELECTRONIC LOGIC 5 V DC
RES	(A) 1.0	(A) 0.01	0.01	(A) 1.0	(A) 0.01
IND	0.5	---	---	0.5	---

CATALOG LISTING  
**622EN225-6**  
PAGE 1 OF 1  
ISSUE **M**  
3

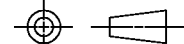
REVISIONS  
A PR-21860  
JJA  
4 OCT 95  
B C083069  
JAK  
25 NOV 96

DDM/CAD  
DRAWN  
JJA  
4OCT95  
CHECK  
SAV  
4OCT95  
CHECK



THIS DRAWING COVERS A PROPRIETARY ITEM AND IS THE PROPERTY OF MICRO SWITCH, A DIVISION OF HONEYWELL. THIS DRAWING IS NOT TO BE COPIED OR USED WITHOUT THE APPROVAL OF MICRO SWITCH

THIRD ANGLE PROJECTION



CHARACTERISTICS	ELECTRICAL DATA (SEE CHART)
OPERATING FORCE ----- 3 - 6 LB	CONTACT ARRANGEMENT 4X S P D T
FULL OVERTRAVEL FORCE --- 17 LB MAX	
RELEASE FORCE ----- 2 LB MIN	
PRETRAVEL ----- .040 MAX	
DIFFERENTIAL TRAVEL --- .020 MAX	
OVERTRAVEL ----- .125 MIN	

SCALE	FULL
DO NOT SCALE PRINT	
<b>UNLESS OTHERWISE SPECIFIED TOLERANCES ARE</b>	
ONE PLACE	(.0) ± .030
TWO PLACE	(.00) ± .015
THREE PLACE	(.000) ± .005
ANGLES	±
WEIGHT	.50 LB

- 1 - CORROSION RESISTANT STEEL ENCLOSURE
- 2 - SWITCH SEALED PER MIL-S-8805 SYMBOL 4
- 3 - CIRCUIT DIAGRAM AND CATALOG LISTING ARE SHOWN ON NAMEPLATE
- $\triangle 4$  TO ADJUST ROLLER DIRECTION REMOVE ROLLER GUIDE LOCK RING SCREW ROLLER GUIDE TO DESIRED DIRECTION, SECURE BY REPLACING ROLLER GUIDE LOCK RING
- $\triangle 5$  ROLLER GUIDE LOCATION CAN VARY BETWEEN .292 AND .450 WHILE MAINTAINING .125 MIN OVERTRAVEL
- $\triangle 6$  REPLACEMENT MOUNTING HARDWARE - PACKET 19PA9
- $\triangle 7$  REPLACEMENT ROLLER GUIDE AND LOCK RING - PACKET 15PA105
- $\triangle 8$  REPLACEMENT LOCK RING - PACKET 15PA107
- $\triangle 9$  HARDWARE MAY BE PACKAGED UNASSEMBLED PER MIL-S-8805
- 10 - COINCIDENCE OF OPERATING AND RELEASING POINTS: .010 INCH OF PLUNGER TRAVEL

ANSI Y14.5M-1982 APPLIES