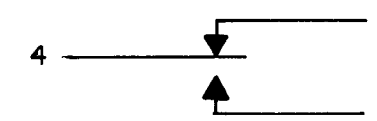


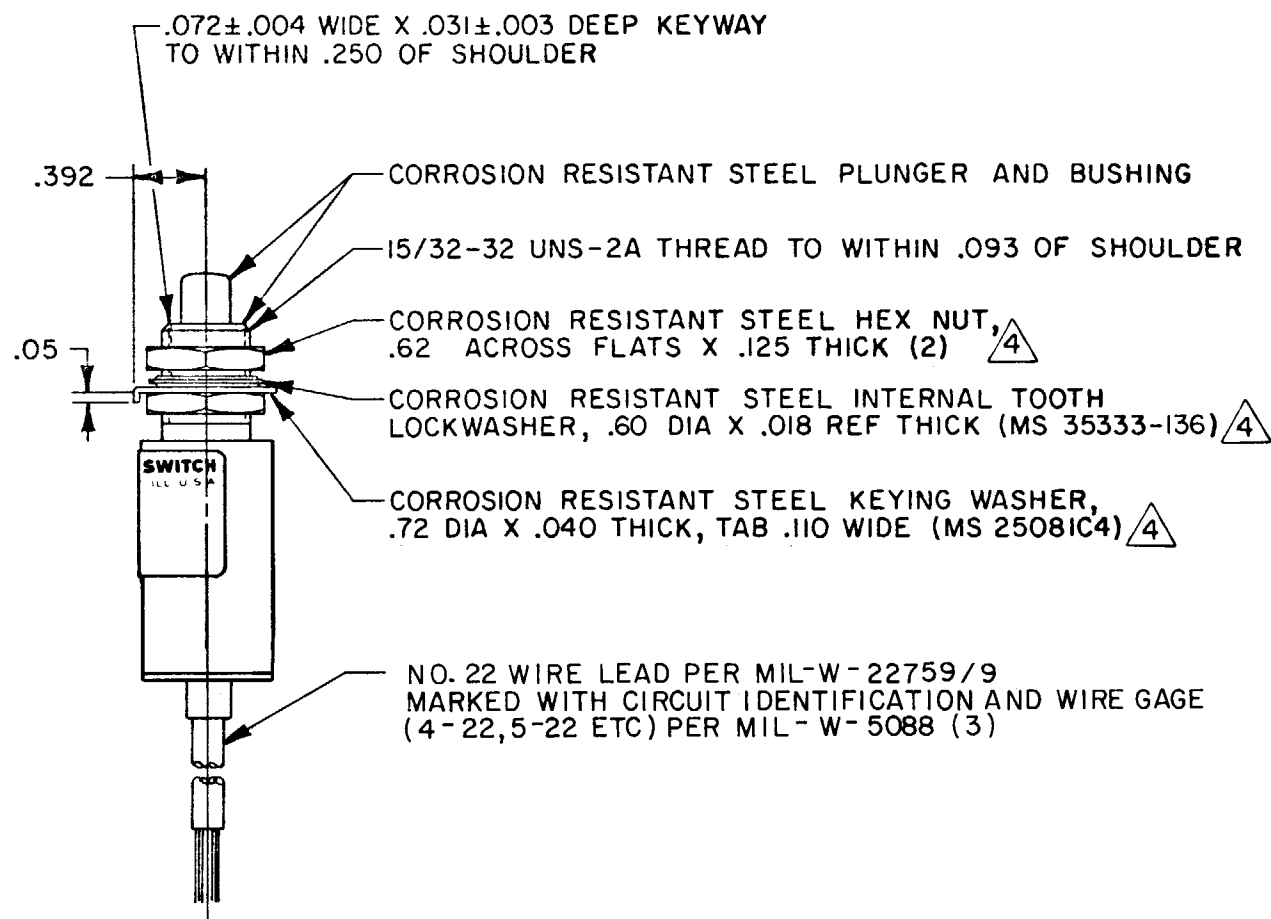
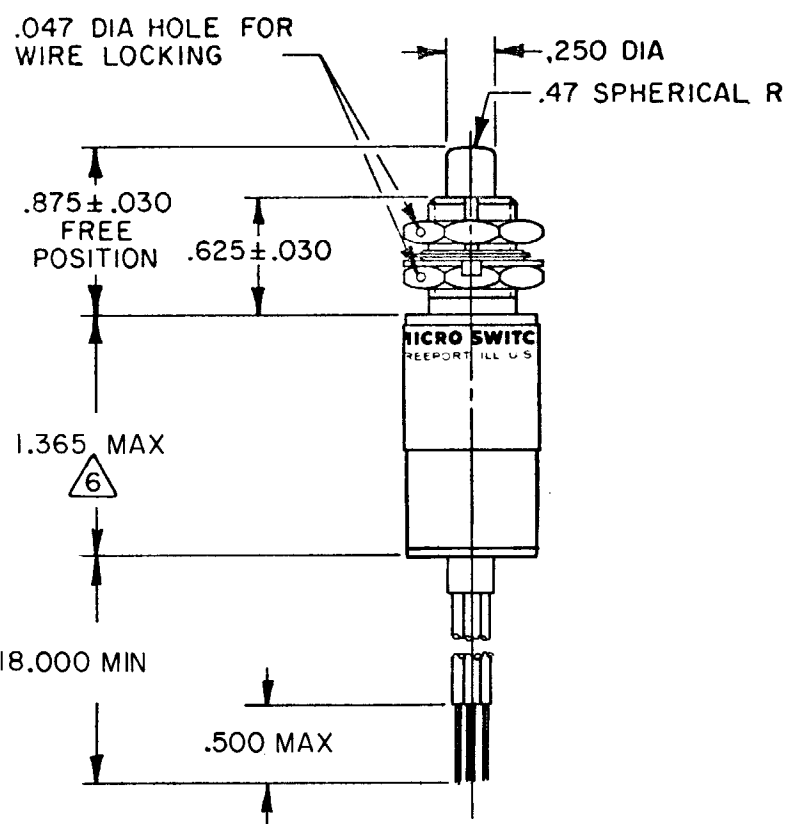
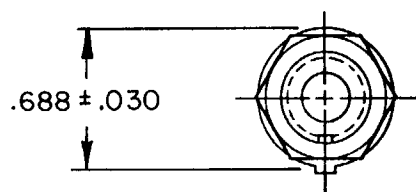
MICRO SWITCH
 FREEPORT ILL NOIS U S A
 A DIVISION OF HONEYWELL
 FED. MFG. CODE 91929

SWITCH - ENCLOSED

CATALOG LISTING
602EN62-B

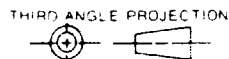


CIRCUIT DIAGRAM



FORMTEK
 FO-52851-A
 DRAWN
KAK
 5 MAR 80
 CHECK
CEB
 7 MAR 80
 CHECK
DLT
 25 MAR 99
G C094480
MAM
 6 SEP 90
F C068422
 24 SEP 86
E C06123
JAP
 25 SEPT 81
C C049280
JMJ
 25 MAR 81
D C049806
C C049280
JAP
 7 AUG 80
B C047573
JAP
 5 MAR 80
A C044351
REVISIONS
18 ISSUE
DRAWING NUMBER
M 602EN62-B
 PAGE 1 OF 1
 RELEASE NO. SR 12847
 REPLACES

THIS DRAWING COVERS A PROPRIETARY ITEM AND IS THE PROPERTY OF MICRO SWITCH, A DIVISION OF HONEYWELL. THIS DRAWING IS NOT TO BE COPIED OR USED WITHOUT THE APPROVAL OF MICRO SWITCH.



SCALE FULL
 DO NOT SCALE PRINT

CHARACTERISTICS

OPERATING FORCE	6-12 LB
FULL OVERTRAVEL FORCE	30 LB MAX
RELEASE FORCE	4 LB MIN
PRETRAVEL	.040 MAX
DIFFERENTIAL TRAVEL	.020 MAX
OVERTRAVEL	.125 MIN

ELECTRICAL DATA

CONTACT ARRANGEMENT	
S P D T	
28 VDC	
LOAD	SEA LEVEL 50,000 FT.
RES	7 7
IND	4 2.5
MOTOR	4

TOLERANCES
 APPLY TO DESIGN UNITS. CONVERSIONS ARE ONLY FOR REFERENCE. UNLESS NOTED, TOLERANCES ARE 2

DIM.	TOL.	DIM.	TOL.
mm	mm/in	in	mm/in
NO PLACES	X	1/04	X X
ONE PLACE	X,X	0.01/018	X XX
TWO PLACES	X,XX	0.015/006	X XXX
THREE PLACES	X,XXX	0.13/005	

DESIGN UNITS: METRIC US CUSTOMARY

RAW MATERIAL-COMMERCIAL STANDARD
 MICRO SWITCH STANDARDS APPLY
 DIMENSIONS ARE TO BE MET BEFORE
 PROTECTIVE COATINGS ARE APPLIED

WEIGHT 3.5 OZ MAX

- NOTES**
- 1 - CORROSION RESISTANT STEEL ENCLOSURE
 - 2 - SWITCH SEALED PER MIL-PRF-8805 SYMBOL 4
 - 3 - CIRCUIT DIAGRAM, CAT. LIST., FED. MFG. CODE AND DATE CODE ARE SHOWN ON NAMEPLATE
 - 4 - HARDWARE MAY BE PACKAGED UNASSEMBLED PER MIL-PRF-8805
 - 5 - BOTTOM OF SWITCH COATED WITH RESILIENT POTTING MATERIAL
 - 6 - THIS DIMENSION EXCLUDES THE RESILIENT POTTING MATERIAL ON THE BOTTOM OF THE SWITCH