

MICRO SWITCH

FREEPORT ILLINOIS U.S.A.
A DIVISION OF HONEYWELL

FED. MFG. CODE 91929

SWITCH - ENCLOSED

CATALOG LISTING
602EN24-6B

CATALOG LISTING
602EN24-6B

ISSUE
18

PAGE 1 OF 1

REPLACES

RELEASE NO. PR - 5649

CHECK

REVISIONS

A	C044351	KAK	MAR 80
B	C047573	J A P	AUG 80
C	C049280	C O	MAR 81
D	C049806C	K A G	SEP 81
E	C050123	S. J. S.	SEP 86
F	C092485	J A K	MAR 98
G	C094274	DLM	MAR 99

CHECK

CHECK

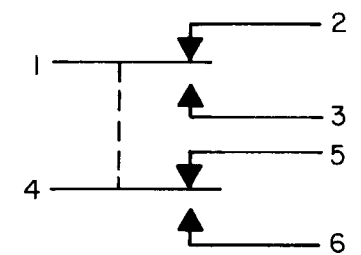
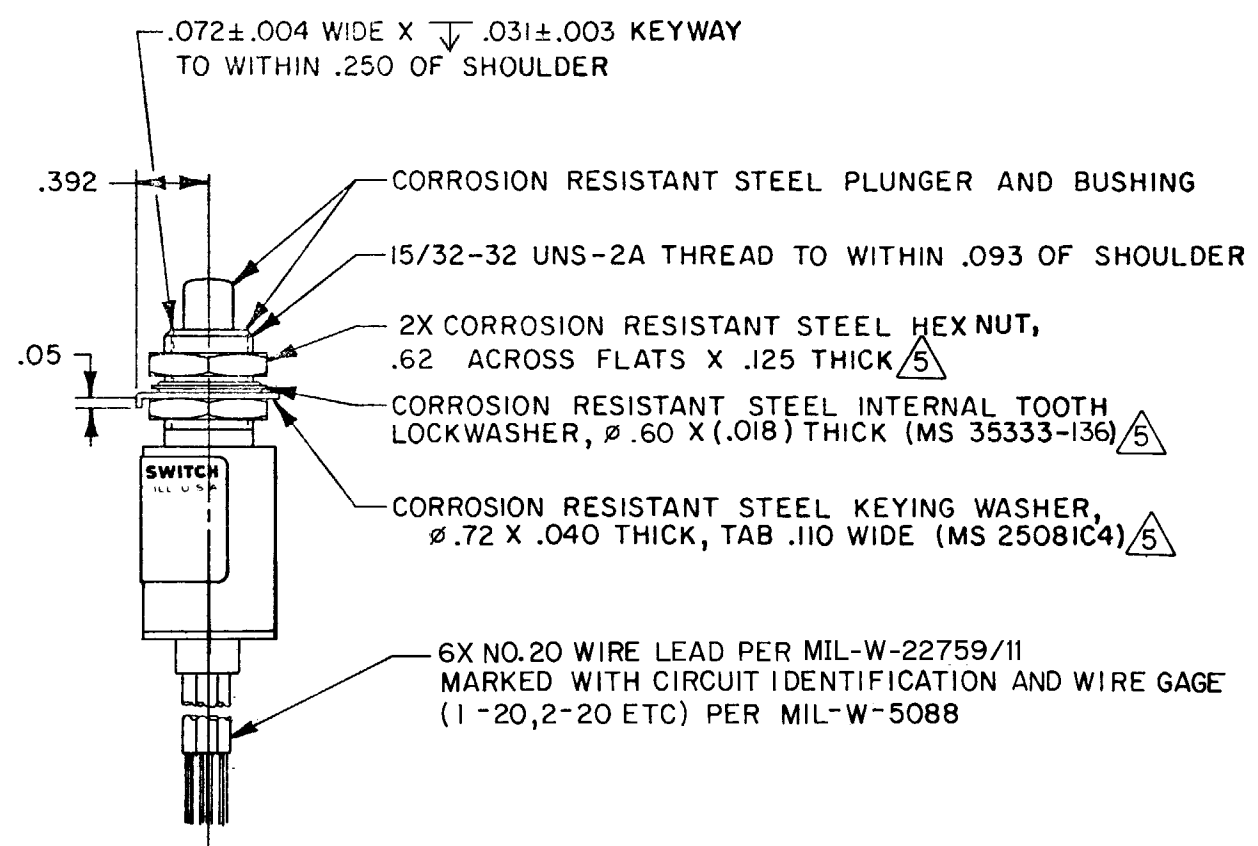
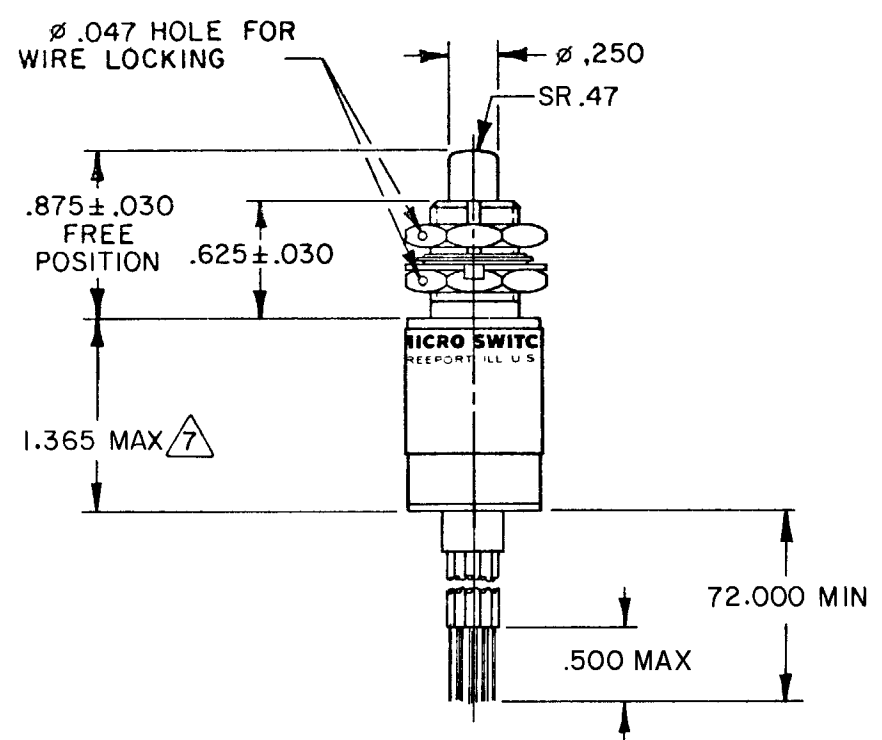
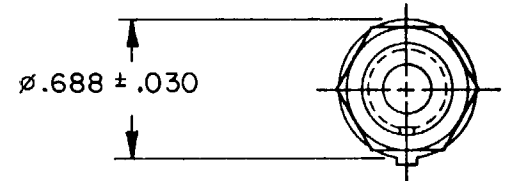
CHECK

CHECK

CHECK

CHECK

CHECK



CIRCUIT DIAGRAM

THIS DRAWING COVERS A PROPRIETARY ITEM AND IS THE PROPERTY OF MICRO SWITCH, A DIVISION OF HONEYWELL. THIS DRAWING IS NOT TO BE COPIED OR USED WITHOUT THE APPROVAL OF MICRO SWITCH.

THIRD ANGLE PROJECTION

SCALE FULL

DO NOT SCALE PRINT

CHARACTERISTICS	
OPERATING FORCE	3-6 LB
FULL OVERTRAVEL FORCE	17 LB MAX
RELEASE FORCE	2 LB MIN
PRETRAVEL	0.040 MAX
DIFFERENTIAL TRAVEL	0.020 MAX
OVERTRAVEL	0.125 MIN

ELECTRICAL DATA		
CONTACT ARRANGEMENT 2X S P D T		
28 VDC		
LOAD	SEA LEVEL	50,000 FT.
RES	7	7
IND	4	25
MOTOR	4	

TOLERANCES			
APPLY TO DESIGN UNITS. CONVERSIONS ARE ONLY FOR REFERENCE. UNLESS NOTED, TOLERANCES ARE:			
DIM.	TOL.	DIM.	TOL.
mm	mm/in	in	mm/in
NO PLACES	X	1/04	X E
ONE PLACE	X,X	0.4/018	X EX
TWO PLACES	X,XX	0.15/008	X EXX
THREE PLACES	X,XXX		X EXXX
ANGLES			
SI METRIC		US CUSTOMARY	
<input type="checkbox"/>		<input checked="" type="checkbox"/>	
RAW MATERIAL - COMMERCIAL STANDARD			
MICRO SWITCH STANDARDS APPLY			
DIMENSIONS ARE TO BE MET BEFORE PROTECTIVE COATINGS ARE APPLIED			
WEIGHT 6.2 OZ MAX			

NOTES

- CORROSION RESISTANT STEEL ENCLOSURE
- SWITCH SEALED PER MIL-PRF-8805 SYMBOL 4
- CIRCUIT DIAGRAM, CATALOG LISTING, FEDERAL MANUFACTURING CODE AND DATE CODE ARE SHOWN ON NAMEPLATE
- COINCIDENCE OF OPERATING AND RELEASING POINTS .010 OF PLUNGER TRAVEL
- HARDWARE MAY BE PACKAGED UNASSEMBLED PER MIL-PRF-8805
- BOTTOM OF SWITCH COATED WITH RESILIENT POTTING MAT'L THIS DIMENSION EXCLUDES THE RESILIENT POTTING MATERIAL ON THE BOTTOM OF THE SWITCH

ANSI Y14.5M-1982 APPLIES

FORMTEK

DRAWN

KAK

5 MAR 80

CHECK

CHECK

CHECK

CHECK

CHECK

CHECK

CHECK

CHECK

CHECK

CHECK

CHECK

CHECK

CHECK

CHECK

CHECK

CHECK

CHECK

CHECK