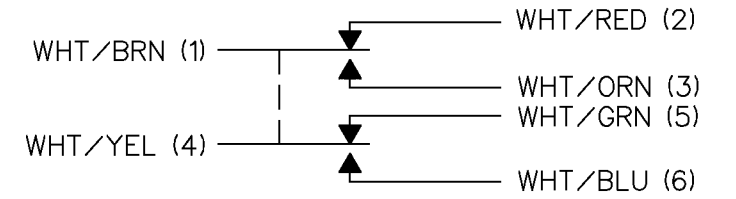


MICRO SWITCH
a Honeywell Division

FED. MFG. CODE 91929

SWITCH-ENCLOSED

CATALOG LISTING
602HE126-6B



CIRCUIT DIAGRAM

CATALOG LISTING
602HE126-6B

PAGE 1 OF 1

ISSUE
M
3

REVISIONS
A PR23263
J A K
4 MAR 98
B C093159
D L T
8 JUN 98

CHECK
JJA 12 MAR 98

CHECK
JJA

CHECK
JAK 4 MAR 98

DDM/CAD
DRAWN
JAK

REPLACES
RELEASE NO. PR-23263

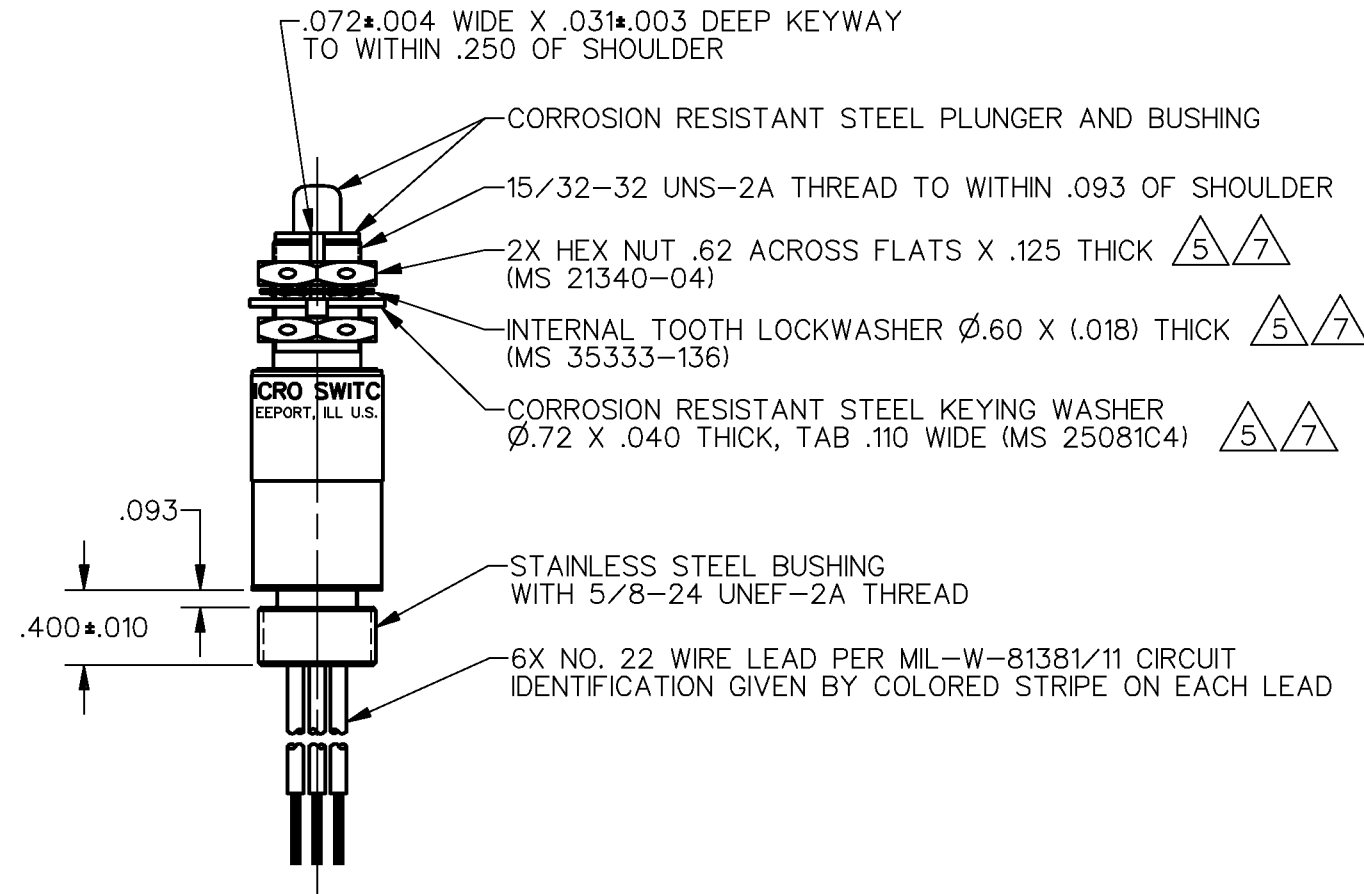
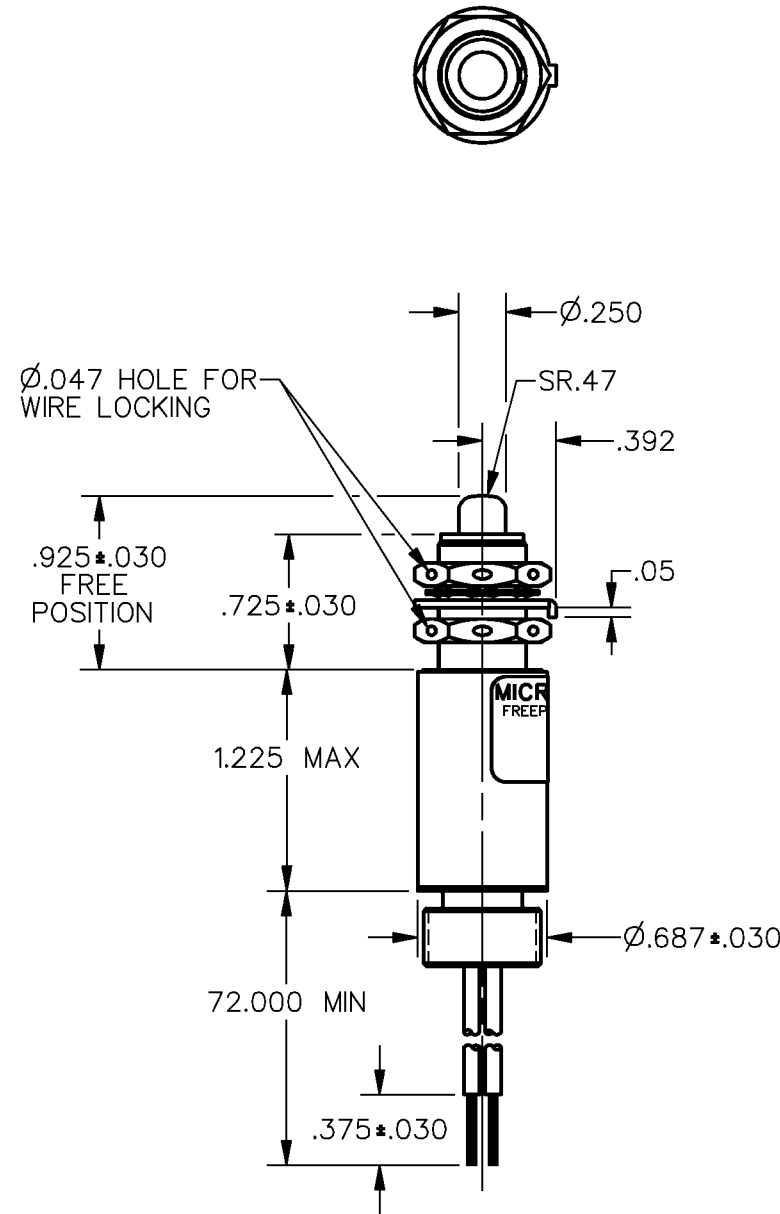
CHECK

CHECK

CHECK

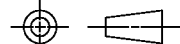
CHECK

CHECK



THIS DRAWING COVERS A PROPRIETARY ITEM AND IS THE PROPERTY OF MICRO SWITCH, A DIVISION OF HONEYWELL. THIS DRAWING IS NOT TO BE COPIED OR USED WITHOUT THE APPROVAL OF MICRO SWITCH

THIRD ANGLE PROJECTION



CHARACTERISTICS	ELECTRICAL DATA
OPERATING FORCE ——— 5 -12 LB	CONTACT ARRANGEMENT 2X S P D T GOLD CONTACTS
FULL OVERTRAVEL FORCE --- 30 LB MAX	LOAD ————— 28 VDC
RELEASE FORCE ———— 3 LB MIN	RES ————— SEA LEVEL & 50,000 FT.
PRETRAVEL ————— .040 MAX	IND ————— 1.0
DIFFERENTIAL TRAVEL — .020 MAX	MOTOR ————— 0.5
OVERTRAVEL ————— .100 MIN	

SCALE	DO NOT SCALE PRINT
ONE PLACE (.0) ±.030	UNLESS OTHERWISE SPECIFIED TOLERANCES ARE
TWO PLACE (.00) ±.015	
THREE PLACE (.000) ±.005	
ANGLES ±	

WEIGHT

NOTES

- 1 - CORROSION RESISTANT STEEL ENCLOSURE
- 2 - SWITCH SEALED PER MIL-S-8805 SYMBOL 5
- 3 - COINCIDENCE OF OPERATING AND RELEASING POINTS: .010 INCH OF PLUNGER TRAVEL
- 4 - CIRCUIT DIAGRAM, AND CATALOG LISTING SHOWN ON NAMEPLATE
- 5 - REPLACEMENT MOUNTING HARDWARE - PACKET 19PA9
- 6 - FOR OPERATION IN TEMPERATURE OF MINUS 65°F TO PLUS 257°F
- 7 - HARDWARE MAY BE PACKAGED UNASSEMBLED PER MIL-S-8805
- 8 - ENCLOSURE FINISHED WITH WHITE EPOXY BASED ENAMEL COLOR COLOR NO. 37875 PER FEDERAL STANDARD 595

ANSI Y14.5M-1982 APPLIES